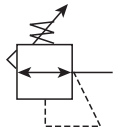


# Regulator – Miniature

## SR1

 = "Most Popular"



**SR1-02-LA00**



**SR1-02-LAS0**

### Features

- Stainless Steel Construction Handles Most Corrosive Environments
- Large Diaphragm to Valve Area Ratio for Precise Regulation and High Flow Capacity
- Meets NACE Specifications MR-01-75/ISO 15156
- High Flow: 1/4" – 12 SCFM<sup>§</sup>

<sup>§</sup> SCFM = Standard cubic feet per minute at 100 PSIG inlet, 75 PSIG no flow secondary setting and 15 PSIG pressure drop.

### Specifications

Flow Capacity*	Port Size	12 SCFM
	1/4	
Gauge Port		1/4 Inch
Port Threads		1/4 Inch

Pressure & Temperature Ratings –		
SR1-02-LA00	300 PSIG Max (20.7 bar)	0°F to 150°F (-18°C to 66°C)
SR1-02-LAS0	300 PSIG Max (20.7 bar)	0°F to 180°F (-18°C to 82°C)

**Note: Air must be dry enough to avoid ice formation at temperatures below 32°F (0°C).**

Weight	0.5 lb. (0.23 kg)
--------	-------------------

\* Inlet pressure 100 PSIG (6.9 bar) and 75 PSIG (5.2 bar) no flow secondary setting and 25% pressure drop.

### Materials of Construction

Adjustment Mechanism / Springs	316 Stainless Steel
Adjusting Knob (SR1-02-LAS0)	316 Stainless Steel
Adjusting Knob (SR1-02-LA00)	Polypropylene
Body	316 Stainless Steel
Bonnet (SR1-02-LAS0)	316 Stainless Steel
Bonnet (SR1-02-LA00)	Acetal
Bottom Plug	316 Stainless Steel
Poppet	316 Stainless Steel
Seals	Fluorocarbon

**⚠ WARNING**

**Product rupture can cause serious injury.  
Do not connect regulator to bottled gas.  
Do not exceed maximum primary pressure rating.**

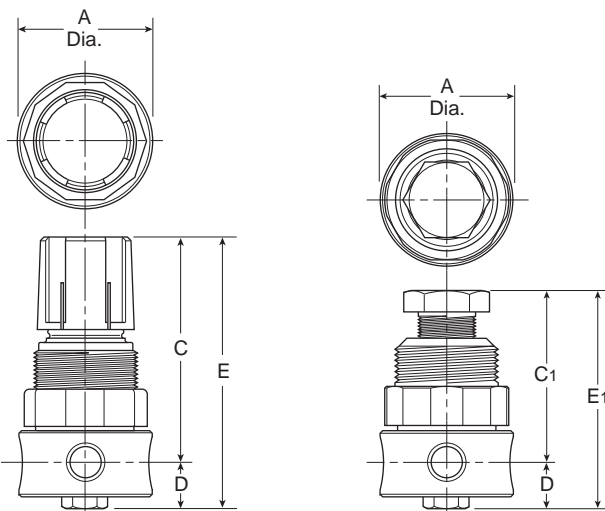
### CAUTION:

**REGULATOR PRESSURE ADJUSTMENT** – The working range of knob adjustment is designed to permit outlet pressures within their full range. Pressure adjustment beyond this range is also possible because the knob is not a limiting device. This is a common characteristic of most industrial regulators, and limiting devices may be obtained only by special design.

For best performance, regulated pressure should always be set by increasing the pressure up to the desired setting.



Stainless Steel Products



### Dimensions

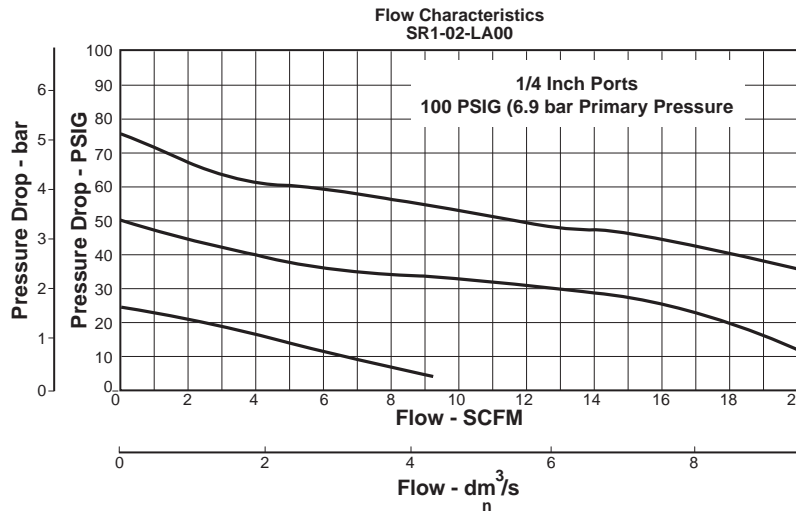
Models	Inches (mm)	A	C	C <sub>1</sub>	D	E	E <sub>1</sub>
Miniature Unit SR1-02-XXXX		1.56 (40)	2.56 (65)	2.17 (55)	0.50 (13)	3.06 (78)	2.67 (68)

 = "Most Popular"

### SR1 Regulator Kits & Accessories

- Bonnet Kit SR1-02-LA00 (Knob Included) .....SRP-96-017
- Bonnet Kit SR1-02-LAS0 .....CKR354YSS
- Gauge (Stainless) –
  - 160 PSIG (0 to 1100 kPa), 1-1/2" Face .....K4515N14160SS
- Mounting Bracket (Stainless)..... 161X57-SS
- Panel Mount Nut –
  - Stainless .....SRP-96-019
  - Plastic ..... R05X51-P
- Pipe Nipple –
  - 1/4" 316 Stainless Steel ..... SRP-96-009
- Service Kit –
  - Relieving .....SRP-96-013
  - Non-Relieving .....SRP-96-014
- Springs –
  - 0-25 PSIG Range .....SPR-375-2-SS
  - 0-60 PSIG Range .....SPR-376-1-SS
  - 0-125 PSIG Range ..... SPR-377-1-SS

**Note:** Order pressure gauge and panel mount nut separately.  
**Note:** 1.25" dia. (32mm) hole required for panel mounting  
 (order panel nut separately).



  
 Stainless Steel Products

### Ordering Information

Model Type	Port Size	0 to 125 PSIG (0 to 8.6 bar)	0 to 25 PSIG (0 to 1.7 bar)	0 to 60 PSIG (0 to 4.1 bar)
Relieving	1/4	SR1-02-LA00	SR1-02-JA00	SR1-02-KA00
Non-Relieving	1/4	SR1-02-YA00	SR1-02-VA00	SR1-02-XA00

Options - To order an option supplied with the unit model, add the appropriate coded suffix letter in the designated position of the model number.