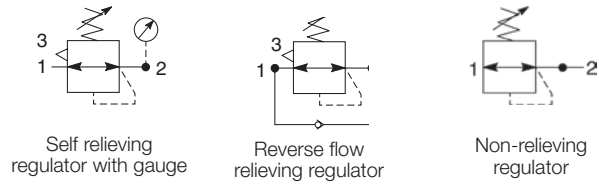


Regulator



Symbols



- Integral 3/4" or 1" ports (BSPP & NPT)
- Robust but lightweight aluminum construction
- Secondary pressure ranges 12 and 16 bar
- Rolling diaphragm for extended life
- Secondary aspiration plus rolling diaphragm provides quick response and accurate pressure regulation
- Optional tamperproof regulator padlock
- Reverse flow / relieving option
- Low temperature -40°

Options

R90		-	0		6	-	A		0	0	0
Series	Regulator R90		Thread type*	NPT 0 BSPP C	Port size	3/4 6 1 8		Function / pressure range	Option		
								A Relieving / 0 to 174 PSI H Relieving / 0 to 232 PSI	0 None G Pressure Gauge A † Lockable type R Reverse Flow		

Notes:
 * For 1-1/2" ported unit, please order P3YKA*BCP port block kit separately.
 † Not field convertible.
Bold items are most common.

Ordering information

Port size	Description	Flow‡ scfm	Max. bar (psig)	Min temp °C (°F)	Max temp °C (°F)	Height mm (inches)	Width mm (inches)	Depth mm (inches)	Weight kg (lb)	Part number†
3/4"	12 bar relieving	380	17.5 (254)	-40 (-40)	60 (140)	182 (7.2)	90 (3.5)	94 (3.7)	1.08 (2.4)	R90-06-A000
3/4"	12 bar relieving + pressure gauge	380	17.5 (254)	-10 (14)	60 (140)	182 (7.2)	90 (3.5)	94 (3.7)	1.13 (2.5)	R90-06-AG00
1"	12 bar relieving	380	17.5 (254)	-40 (-40)	60 (140)	182 (7.2)	90 (3.5)	94 (3.7)	1.08 (2.4)	R90-08-A000
1"	12 bar relieving + pressure gauge	380	17.5 (254)	-10 (14)	60 (140)	182 (7.2)	90 (3.5)	94 (3.7)	1.19 (2.6)	R90-08-AG00

† Standard part numbers shown in bold. For other models refer to Options chart above.

‡ Flow with 6.3 bar (91.4 psig) inlet pressure and 0.5 (7.3 psig) pressure drop.

Specifications

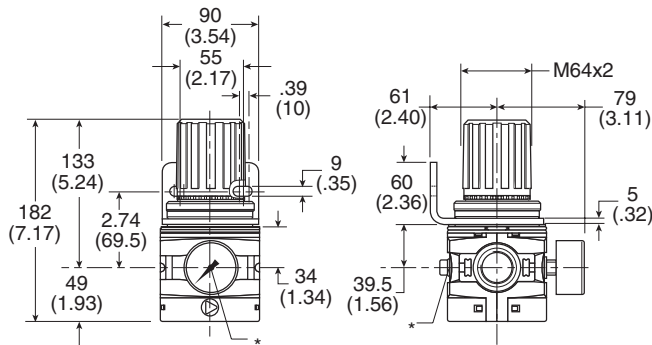
Fluid	Compressed air
Maximum inlet pressure*	17.5 bar (254 psig)
Temperature range*	-40°C to 60°C (-40°F to 140°F)
Typical flow with 10 bar (145 psig) inlet pressure and 6.3 bar (91 psig) set pressure and 0.5 bar (7.3 psig) pressure drop	1" size 550 scfm
Gauge port (x 2)	1/4"

* Air supply must be dry enough to avoid ice formation at temperatures below 2°C (35.6°F).

Material specifications

Body	Aluminum
Bonnet	Glass filled polyamide
Regulator cover	ABS
Control knob	Glass filled polyamide
Valve	Brass / NBR
Seals	Nitrile NBR
Screws	Steel / zinc plated

Dimensions mm (inches)



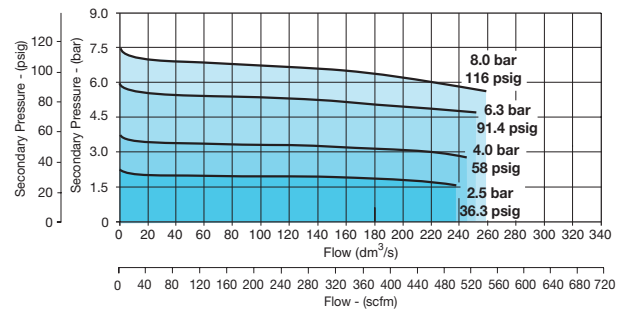
* 1/4" gauge port

Service kits

Description	Part number
Angle bracket + metal lock ring	P3YKA00MS
Panel mounting nut	P3YKA00MM
Diaphragm kit (relieving type)	P3YKA00RR
Diaphragm kit (non-relieving type)	P3YKA00RN
Gauge 0 to 10 bar (0 to 160 psig)	K4520N14160
1/4" port 0 to 20 bar (0 to 300 psig)	K4520N14300

Flow characteristics

(3/4") Regulator



(1") Regulator

