

# Technical Sheet

## electro-fluidic slip rings

### Series KOMBI-ROLLER

#### Main performances

Housing	In aluminium / steel
Positioning	Vertical axis
Armonized rules	EN 60947-1 EN 60529 EN 60204-1
Directives	2014/30/UE 2006/42/CE 2014/35/UE
Marking	CE

#### Electrical features

Nominal voltage	400 V ac – dc
Nominal current	Ith 10 A
Test voltage	2kV
Connections	Rings cabled with 2 mt. long wire through the central hole for the rings; through the side cable entries for the brush holders
Cable entry	
Executions	from 6 to 24 rings 10 A
Protection degree	IP65
Max rotating speed	100 turns/min.
Operating temperature	-20°C ÷ +60°C

#### Fluidic features

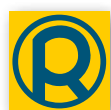
Number of passages	4 of 1/4" BSPP
Fluid	compressed air / hydraulic oil
Pressure	10bar air / 200bar oil
Max. capacity	35 l/min.

#### Standard executions

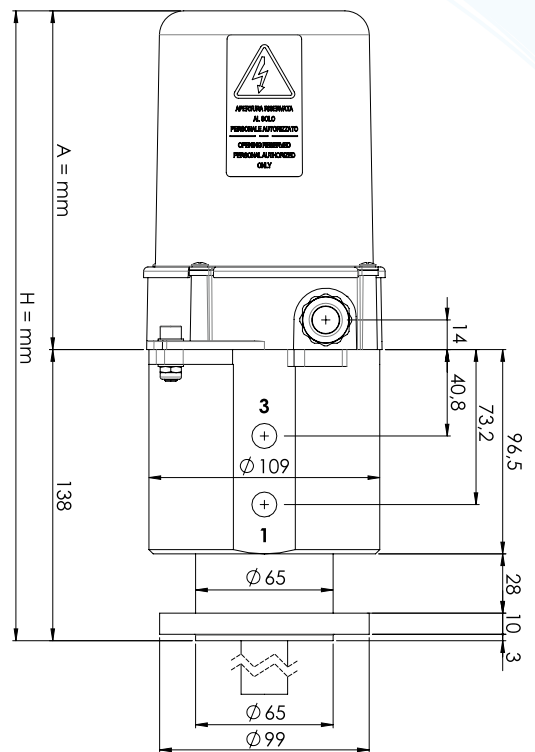
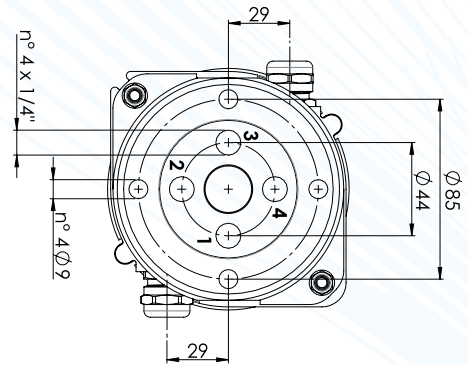
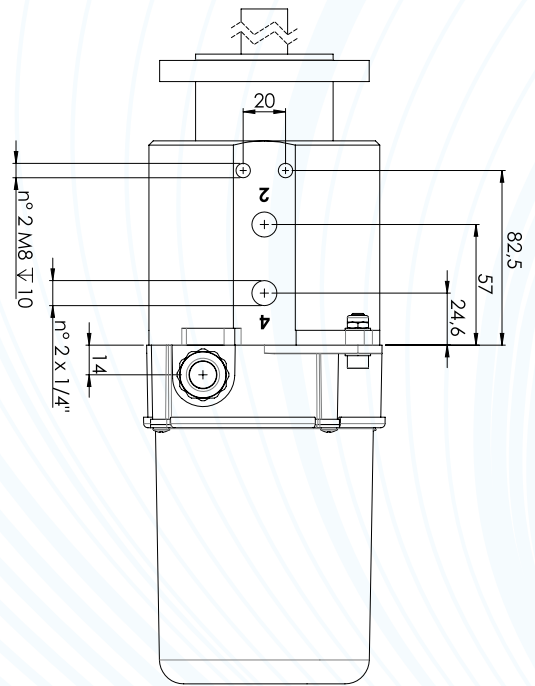
No of electrical passages	H = mm	Part number
6	272,5	G PRRA06PK4D4
10	272,5	G PRRA10PK4D4
16	297,5	G PRRA16PK4D4
20	337,5	G PRRA20PK4D4
24	337,5	G PRRA24PK4D4

#### Accessories on request

Absolute position sensor



## Dimensions



N° ring	A = mm	H = mm
6	135	272,5
10	135	272,5
16	160	297,5
20	200	337,5
24	200	337,5

**RAVIOLI S.p.a.** declines any liability for damage resulting from incorrect installation or improper use of the product.