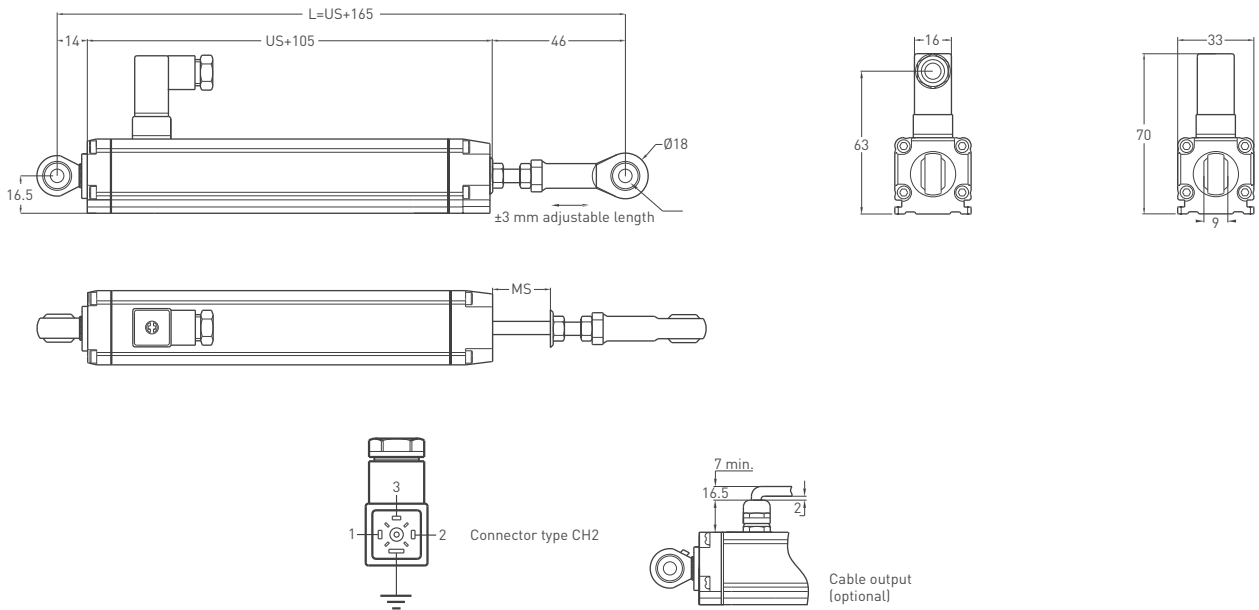


- Measuring length 50 - 1000 mm
- 16 bit resolution
- Excellent movement with ROD design
- Single - double output options
- Ball joints on the both sides



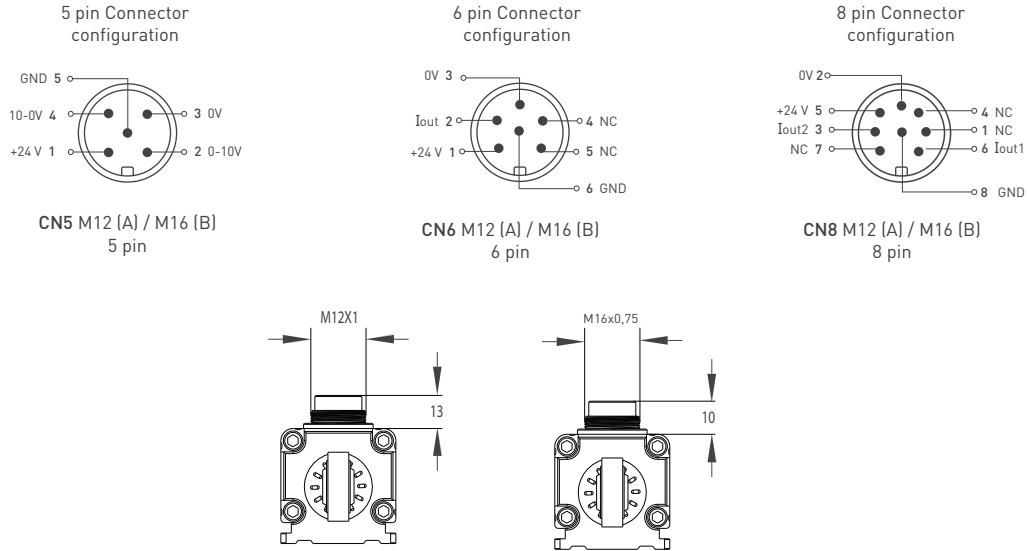
| Technical Specifications | |
|-----------------------------|--|
| Measurement stroke | 50 to 1000 mm |
| Resolution | 16 bit DAC output |
| Linearity | 50-100 mm < %1, 100-300 mm < %0.2, 300-500 mm < %0.1, 500-1000 mm > %0.05 |
| Repeatability | 100 µm |
| Output | 0-10V, 10-0V, 0-20 mA, 20-0 mA, 4-20 mA, 20-4 mA |
| Power supply | 24 VDC ±10% |
| Displacement speed | max. < 5 m/s |
| Update time | (0-600mm, 0,5ms) , (601-1000mm,1ms) |
| Max. consumption | 50 mA - 90 mA (depending on stroke length) |
| Max. output noise | < 5 mVpp |
| Max. output value | 10,5 V |
| Reverse polarity protection | Up to -30 VDC |
| Overvoltage protection | Up to +30 VDC |
| Vibration | EN 60068-2-6 , 5-200 Hz 200 m/s ² (20g) , 2h 30min each axis (x,y,z) |
| Shock | EN 60068-2-2:2007 500 m/s ² (50g) , 11ms. (x,y,z axis) |
| Case dimensions | 33 mm x 33 mm |
| Case material | Anodized aluminium |
| Rod material | Stainless steel |
| Rod diameter | Ø6 mm |
| Mechanical fixing | Ball joints on the both sides |
| Protection level | IP 65 |
| Operating temperature | -10°C ... +70°C |
| Storage temperature | -30°C ... +90°C |

Mechanical Specifications

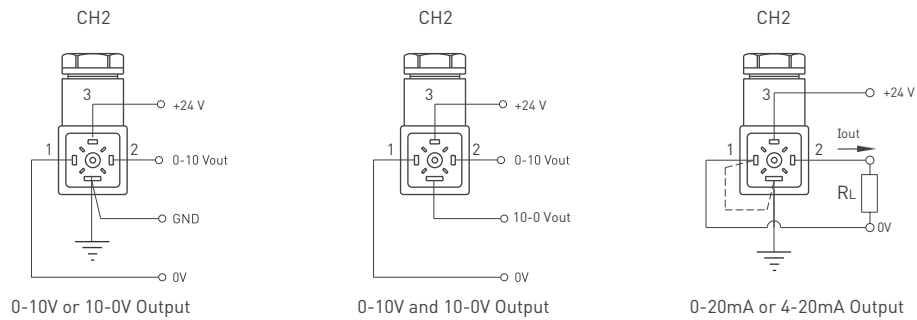


| | | | | | | | | | | | | | | | | | | | |
|--------------------------|-----|-----|-----|-----|-----|-----|-----|-----|-----|-----|-----|-----|-----|-----|-----|------|------|------|------|
| MSRM (mm) | 50 | 100 | 150 | 200 | 250 | 300 | 350 | 400 | 450 | 500 | 550 | 600 | 650 | 700 | 750 | 800 | 850 | 900 | 1000 |
| ML (Measuring Length) | 50 | 100 | 150 | 200 | 250 | 300 | 350 | 400 | 450 | 500 | 550 | 600 | 650 | 700 | 750 | 800 | 850 | 900 | 1000 |
| L (Total Length) | 310 | 360 | 410 | 460 | 510 | 560 | 610 | 660 | 710 | 760 | 810 | 860 | 910 | 960 | 980 | 1060 | 1110 | 1160 | 1260 |

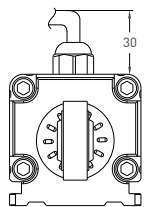
Round Connector



Hydraulic Type Connector



Cable



Voltage Output

+V : Brown
 0V : Blue
 0V Sense : Black
 Output 1 : White (0-10V)
 Output 2 : Orange (10-0V)
 Earth : Shield

Current Output

+V : Brown
 0V : Blue
 0V Sense : Black
 Output 1 : White (Iout1)
 Output 2 : Turuncu (Iout2)
 Earth : Shield

Cable Length

1M : 1meter (standard)
 (Different cable lengths available.)

Ordering Procedure

| Model | Measurement stroke | Resolution | Output | Connector / Cable |
|-------|--------------------|---|--|--|
| MSRM | 300 | A | V10 | CH2 |
| MSRM | 50 - 1000 mm | A: 16 bit B: 15 bit C: 14 bit D: 13 bit E: 12 bit | V10 :0-10V I40 :4-20mA 2V10 :0-10V/0-10V 2I40 :4-20mA/4-20mA V01 :10-0V I04 :20-4mA 2V01 :10-0V/10-0V 2I04 :20-4mA/20-4mA V11 :0-10V/10-0V I41 :4-20mA/20-4mA V50 :0-5V I20 :0-20mA 2V50 :0-5V/0-5V 2I20 :0-20mA/0-20mA V05 :5-0V I02 :20-0mA 2V05 :5-0V/5-0V 2I02 :20-0mA/20-0mA V51 :0-5V/5-0V I21 :0-20mA/20-0mA | CH2: Hydraulic type CN5A: M12 CN5B: M16 CN6A: M12 CN6B: M16 CN8A: M12 CN8B: M16 1M: 1meter 2M5: 2,5 meters |