

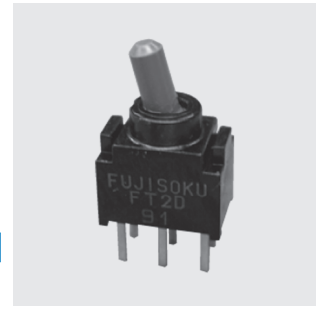
# CFT2

■ Terminal Pins : Straight  
 ■ Actuator Color : Gray

Washable

## Ultra-Miniature Toggle Switch

RoHS Compliant



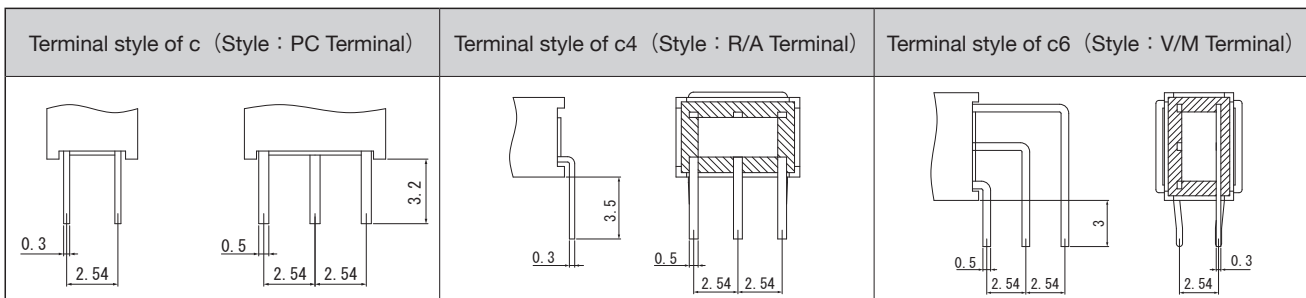
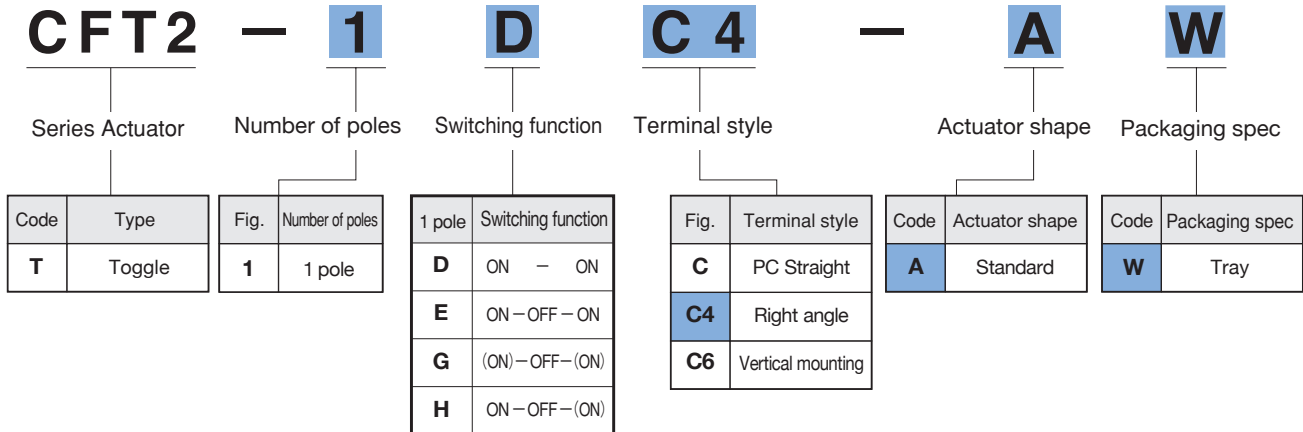
### ■ Features

1. Ultra-miniature toggle switch for high density mounting.
2. Washable.
3. Terminal pin pitch: 2.54 mm.
4. Independent detent mechanism ensures light operational feel.
5. Clip contact mechanism for long-term contact reliability.
6. Gold-plated contacts.

### ■ Specifications

|                             |   |                  |
|-----------------------------|---|------------------|
| Rating                      | Max.  | 28VDC 0.4VA max. |
|                             | Min.  | 1μ A 20mVDC      |
| Initial contact resistance  | 100mΩ max. (1.5mA 200μVAC)  |                  |
| Dielectric strength         | 250VAC 1 minute   |                  |
| Insulation resistance       | 500MΩ min. (250VDC)   |                  |
| Electrical life             | 10,000 cycles at max. rating.<br>50,000 cycles at min. rating. (D.E.N.P type)<br>30,000 cycles at min. rating. (F.G.H.R.S.T type) |                  |
| Mechanical life             | D.E.N.P type 50,000 cycles<br>F.G.H.R.S.T type 30,000 cycles  |                  |
| Operating temperature range | -40°C ~ +85°C   |                  |
| Storage temperature range   | -40°C ~ +85°C   |                  |

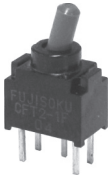
### ■ Part Numbering



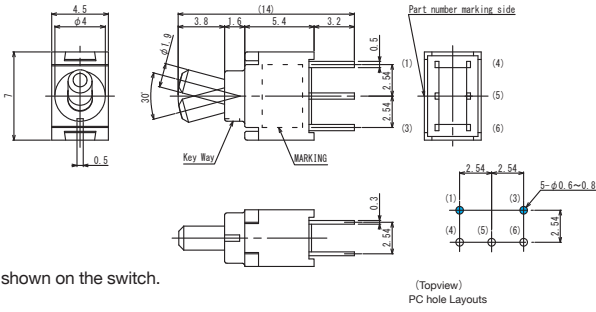
(ON) : Momentary.

**SPDT**

**PC Straight**



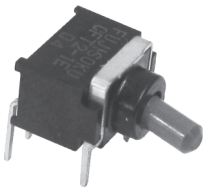
Terminal numbers are not shown on the switch.



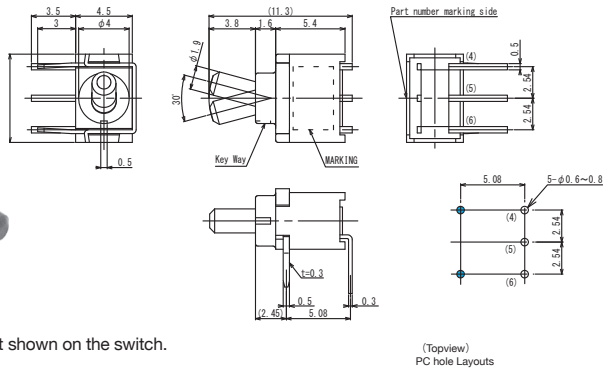
| Switching function   |      |     |      |
|----------------------|------|-----|------|
| Part No.             |      |     |      |
| <b>CFT2-1DC-AW</b>   | ON   | —   | ON   |
| <b>CFT2-1EC-AW</b>   | ON   | OFF | ON   |
| ☆ <b>CFT2-1GC-AW</b> | (ON) | OFF | (ON) |
| ☆ <b>CFT2-1HC-AW</b> | ON   | OFF | (ON) |
| Connecting terminals | 5—6  | —   | 5—4  |

**SPDT**

**Right Angle Terminal**



Terminal numbers are not shown on the switch.



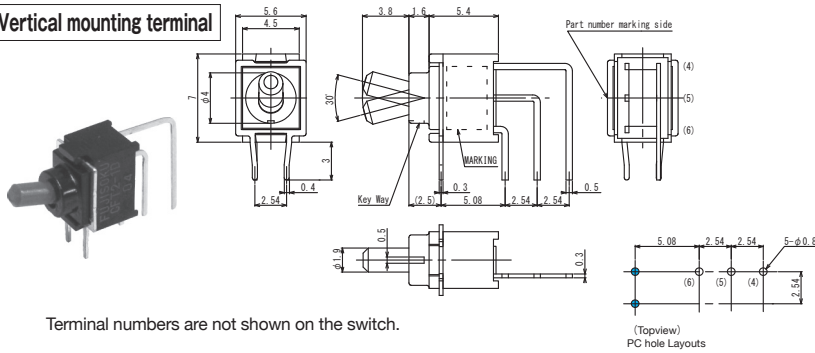
| Switching function    |      |     |      |
|-----------------------|------|-----|------|
| Part No.              |      |     |      |
| <b>CFT2-1DC4-AW</b>   | ON   | —   | ON   |
| <b>CFT2-1EC4-AW</b>   | ON   | OFF | ON   |
| ☆ <b>CFT2-1GC4-AW</b> | (ON) | OFF | (ON) |
| ☆ <b>CFT2-1HC4-AW</b> | ON   | OFF | (ON) |
| Connecting terminals  | 5—6  | —   | 5—4  |

※ The above PC hole layout is a view from the switch installation side.




## CFT2

### SPDT

Vertical mounting terminal



Terminal numbers are not shown on the switch.

| Part No.             | Switching function  |   |   |
|----------------------|---|---|---|
|                      |  Key |  Key |  Key |
| CFT2-1DC6-AW         | ON  | —   | ON  |
| CFT2-1EC6-AW         | ON  | OFF   | ON  |
| ☆CFT2-1GC6-AW        | (ON)  | OFF   | (ON)  |
| ☆CFT2-1HC6-AW        | ON  | OFF   | (ON)  |
| Connecting terminals | 5—6   | —   | 4—5   |

※ The above PC hole layout is a view from the switch installation side.

### ■ Soldering Specifications

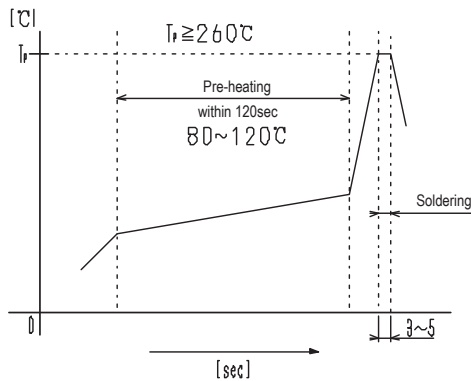
#### (1) Manual Soldering

Device : Soldering iron  
350°C, Max.; 3 seconds, Max.

#### (2) Auto Soldering

Device : Jet wave type or dip type  
260°C, Max.; 3 to 5 seconds (One time)  
Total dip time within 10 sec.

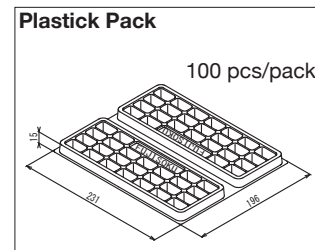
- Pre-heating should be done at temperatures ranging from 80°C to 120°C and within 120 sec.



### ■ Flux Cleaning

- (1) Solvent : Fluorine or Alcohol type.
- (2) Cleaning after soldering should be done after the PC board is exposed to room temperature (30°C or below) for 1 to 2 hours.
- (3) Do not use ultrasonic cleaning.

### ■ Packaging Specifications



- (3) When soldering two or more terminals to the common land, use the solder resist to solder them independently.