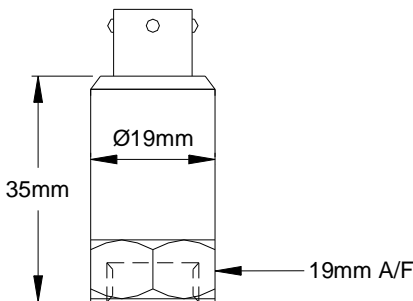


Small footprint, general purpose, top-entry, constant current accelerometer with isolated AC output. Made from robust stainless steel throughout for long term vibration analysis in harsh environments. Sealed to IP67 and includes 3-pin 62GB style connector. Available with a wide range of mountings and 19mm diameter base.

## MTN/1120



## Dimensions



## Applications

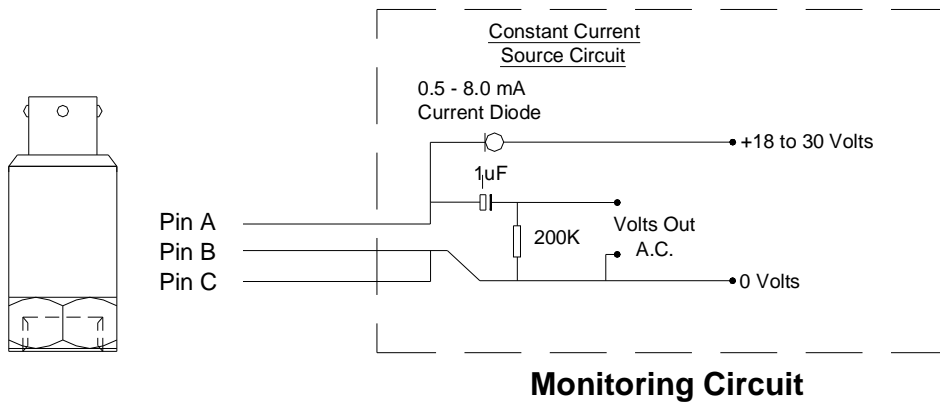
- Paper Machinery
- General Industry
- Pumps, Fans, etc
- Air Handling Units
- Machine Tools

## Technical

Standard Sensitivity	100 mV/g +/-10% Nominal at 80 Hz
Frequency Response	2 Hz to 10 KHz +/-5% (-3dB at 0.8 Hz)
Mounted Base Resonance	20 KHz (nominal)
Isolation	Base Non-Isolated
Transverse Sensitivity	Less than 5%
Dynamic Range	+/-80g
Electrical Noise	0.1 mg max
Current Range	0.5 mA to 8 mA
Temperature Range	-55 to 140 °C
Temperature Sensitivity	0.08 %/°C
Bias Voltage	12 Volts DC (nominal)
DC Supply	18 to 30 Volts
Case Material	Stainless steel
Mounting Torque	8 Nm
Weight	45 gms (nominal)
Sealing	IP67
Mating Connector	MTN/MH008

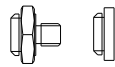
Order Code Part No	Mounting	xx = Optional sensitivity range Available (+/- 10%)
MTN/1120F-xx MTN/1120Q-xx MTN/1120F6-xx MTN/1120F1/4-xx	10-32 UNF Female Quick Fit Female M6 Female ¼" UNF Female	10 mV/g 30 mV/g 50 mV/g

## System Connection



## Mounting Adaptors and Studs

### Quick Fit Adaptors (1120 Quick Fit (Q/F))



Part #	From	To
MS010	Q/F Male	Glue base
MS055	Q/F Male	M8 Male
MS072	Q/F Male	M6 Male
MS102	Q/F Male	10-32 UNF Male
MS117	Q/F Male	¼"-28 UNF Male

### 1120 Stud supplied as standard

Part #	From	To
MS021	¼"-28 UNF Male	M8 Male