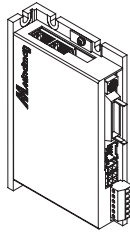
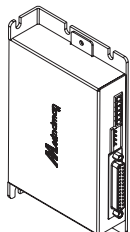


Controller model	Type	Specification	Exterior	Features
<b>CK10</b> Torque type	<ul style="list-style-type: none"> <li>• RS-485 serial communication</li> <li>• I/O</li> <li>• Pulse input</li> </ul>	24VDC±10% max. 500mA (Except motor current)		<ul style="list-style-type: none"> <li>• Support RS-485 communication (Modbus RTU)</li> <li>• Support single / double pulse control</li> <li>• Support Position Table motion control function</li> <li>• Offer Dynamic-link library for PC Base(.dll for C++, C#)</li> <li>• Support torque control with interrupt / continue function</li> </ul>
<b>CM20</b> Position type				<ul style="list-style-type: none"> <li>• Support RS-485 communication (Modbus RTU)</li> <li>• Support single / double pulse control</li> <li>• Programmable motion control function</li> </ul>

### Order example of controller

**CK10 - 03 - N - 015**

Model	Power + Encoder cable of motor	Switch type	I/O cable length
CK10		N	015
CM20 *1		NPN	03
	01		1.5 m
	015		1.5 m *3
	03		3 m
	05		5 m

\*1. Sensors would be needed.

\*2. Only for CM20.

\*3. Only for CK10.

\* Standard: 3 m

### Accessories

Order example	Description	
<b>CK10</b>	-ME015	Power + Encoder cable of motor - 1.5 m
	-ME03	Power + Encoder cable of motor - 3 m
	-ME05	Power + Encoder cable of motor - 5 m
	-S015	I/O signal cable - 1.5 m (32 Pin)
	-S03	I/O signal cable - 3 m (32 Pin)
	-C035 *1	Transmission cable - 3.5 m
<b>CM20</b>	-□□-ME01 *2,3	Power + Encoder cable of motor - 1 m
	-□□-ME03 *2,3	Power + Encoder cable of motor - 3 m
	-□□-ME05 *2,3	Power + Encoder cable of motor - 5 m
	-S015	I/O signal cable - 1.5 m (20 Pin)
	-S03	I/O signal cable - 3 m (20 Pin)

\*1. The transmission cables of CK10 and CM20 are the same.

\*2. Power pin is included in cable. No need to buy power adapter.

\*3. □□ is represented the size of the motor.

### Wire material

Wire	Material	
I/O Signal cable	Isolation	
Cable	Motor power cable	Flexible
	Encoder cable	Isolation + Flexible

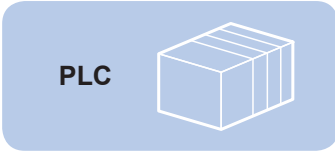
# CK10 / CM20 System structure

## ELECTRIC CYLINDER CONTROLLER



Mindman

Prepared by customer



PLC

Prepared by customer



PC

I/O single cable

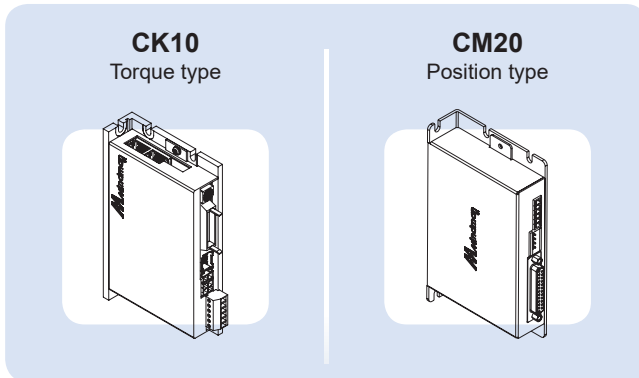
Controller	Model
CK10	CK10-S□
CM20	CM20-S□

Communication connection & Software setting items

Controller	Model	Setting items
CK10 CM20	CK10-C035	<ul style="list-style-type: none"> <li>● Parameter setting</li> <li>● Action program editing</li> <li>● Action test</li> <li>● Numerical monitoring</li> </ul>

\*1. Customers could prepare RJ45 to RS-485 by themselves.  
\*2. Please download the software from the Mindman website.

Controller



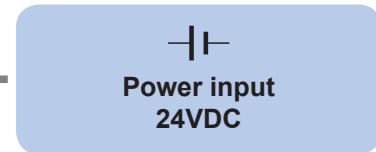
CK10

Torque type

CM20

Position type

Prepared by customer



Power input  
24VDC

Connect power supply

Controller	Model
CK10	CK10-P

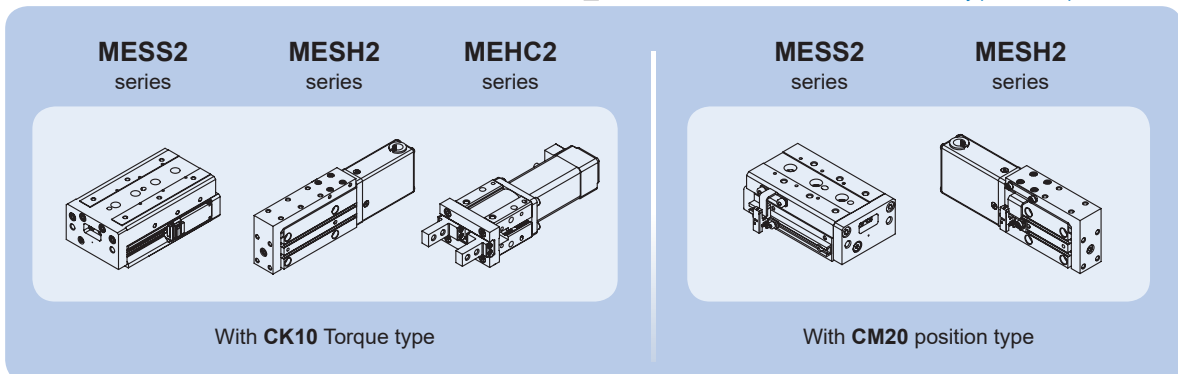
\* Connectors only.

Motor cable

Controller	Model
CK10	CK10-M□
CM20*	CM20-□□-M□

\* Power pin is included in cable.  
Don't need to buy power adapter.

Electric Actuator



MESS2  
series

MESH2  
series

MEHC2  
series

MESS2  
series

MESH2  
series

With CK10 Torque type

With CM20 position type

Use torque to set the origin position directly by software

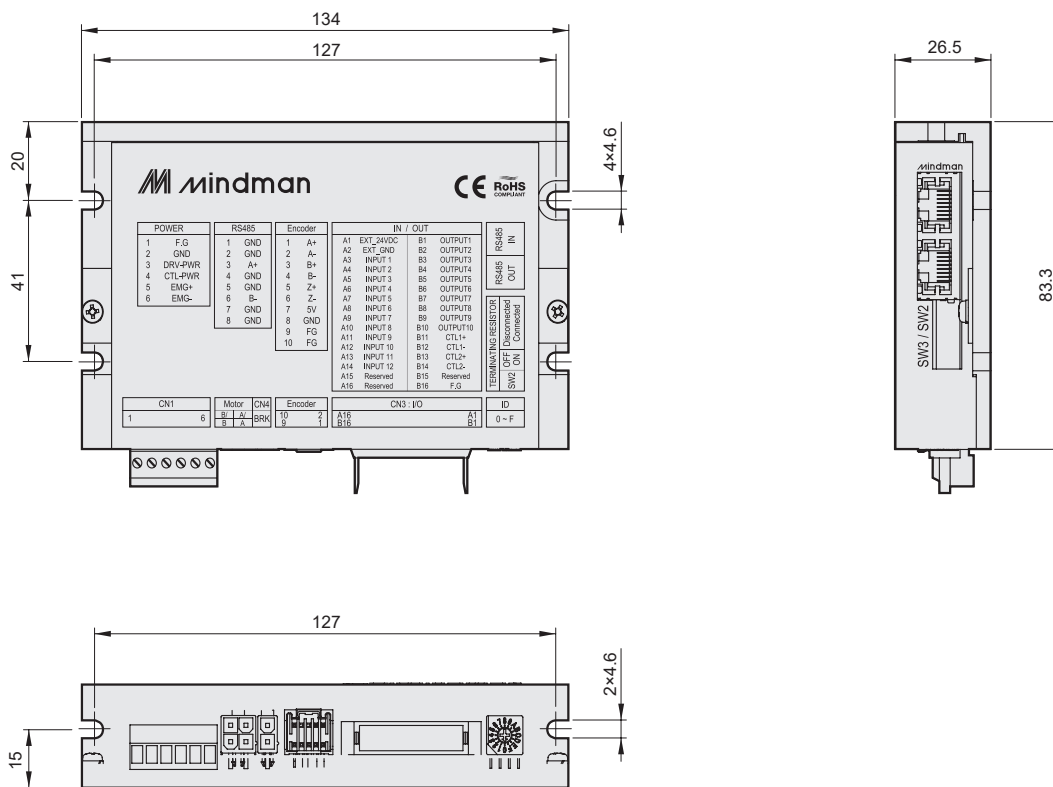
Need to install an external sensor to set the origin position  
(Sensor set to be purchased separately)

# CK10 / CM20 Dimensions

## ELECTRIC CYLINDER CONTROLLER



### CK10



### CM20

