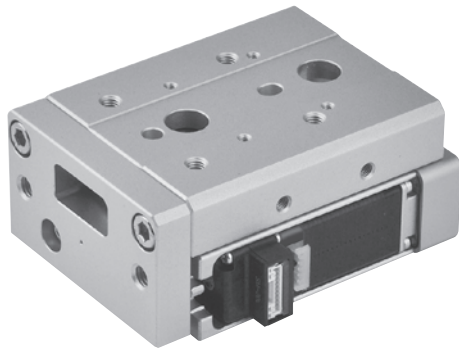


# MESS2 series

## MINIATURE ELECTRIC CYLINDER (WITH MOTOR)



### Specification

Model	MESS2		
Size	16	25	
Positioning repeatability (mm)	±0.02		
Lead (mm)	2	2	8
Maximum speed *1 (mm/s)	≤50	≤100	≤400
Work load *2	Horizontal (kg)	3	1.5
	Vertical (kg)	0.8	0.8
Pushing force *1,3,4 (N)	18 ~ 60	64 ~ 195	18 ~ 48
Stroke (mm)	30 / 50 / 75 / 100		
Motor size (mm)	□20	□28	
Rated voltage	DC 24V±10%		
Slot-type photomicrosensor	RLT (Please refer to page 5-16)		

- \*1. The speed and force may change depending on the cable length, load, stroke and mounting conditions.
- \*2. The maximum load capacity decreases as the speed increases.
- \*3. The accuracy of pushing force is ± 20%.
- \*4. Pushing force for MESS2 is from 30% to 90%.

Motor type	Step motor	Transmission	Ball screw + Belt
Environment	Standard	Guide type	Cross roller guide

### Order example

**MESS2 – 16 L02 – 30 – CK10 03 N 015 – XA00**

<b>Model</b>	<b>Size</b>		<b>Ball screw lead</b>		<b>Stroke</b>		<b>Controller</b>	<b>I/O type</b>		<b>I/O cable length</b>		<b>Special order no.</b>
	16	L02	2 mm	30	30 mm	CK10	N	NPN	015	1.5 m		
	25	L02	2 mm	50	50 mm	CM20 *1			03	3 m		
		L08	8 mm	75	75 mm							
				100	100 mm							

**Power + Encoder cable of motor**

01	1 m *2
015	1.5 m *3
03	3 m
05	5 m

\* Standard: 3 m

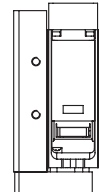
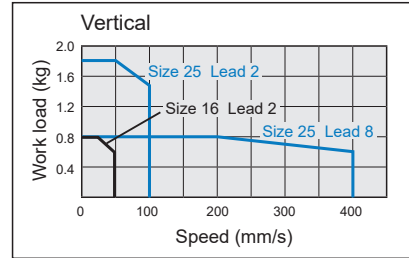
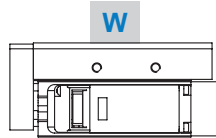
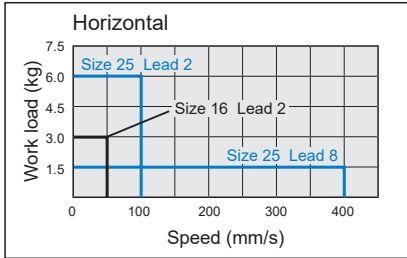
\*1. Sensors would be needed.  
\*2. Only for CM20.  
\*3. Only for CK10.

### Slot-type photomicro sensor set \* With cable 2m.

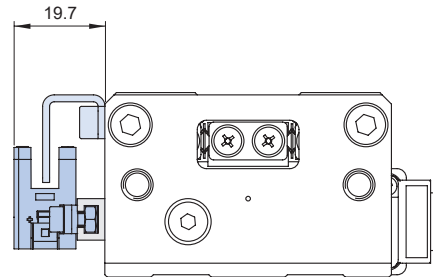
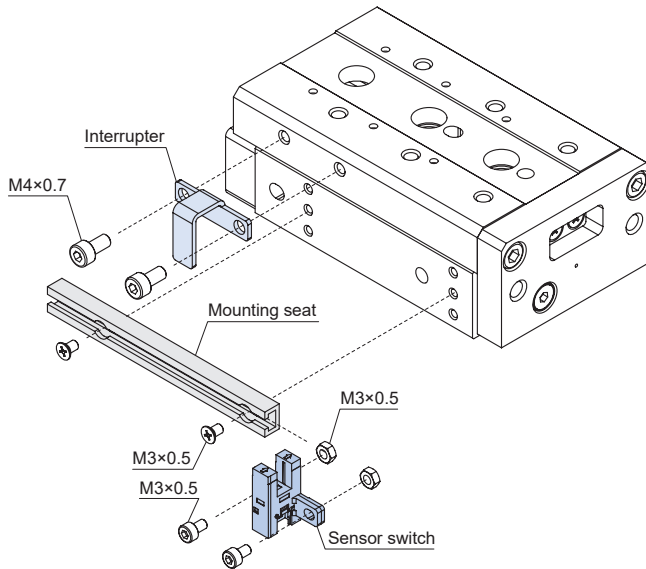
**RLT – N – MESS2 – 16 – 30 – 1**

<b>Model</b>	<b>I/O type</b>		<b>Size</b>	<b>Stroke</b>		<b>Sensor quantity</b>	
	N	NPN	16	30	30 mm	1	1 pc
			25	50	50 mm	2	2 pcs
				75	75 mm		
				100	100 mm		

### Speed-load curve diagram



### Slot-type photomicro sensor set

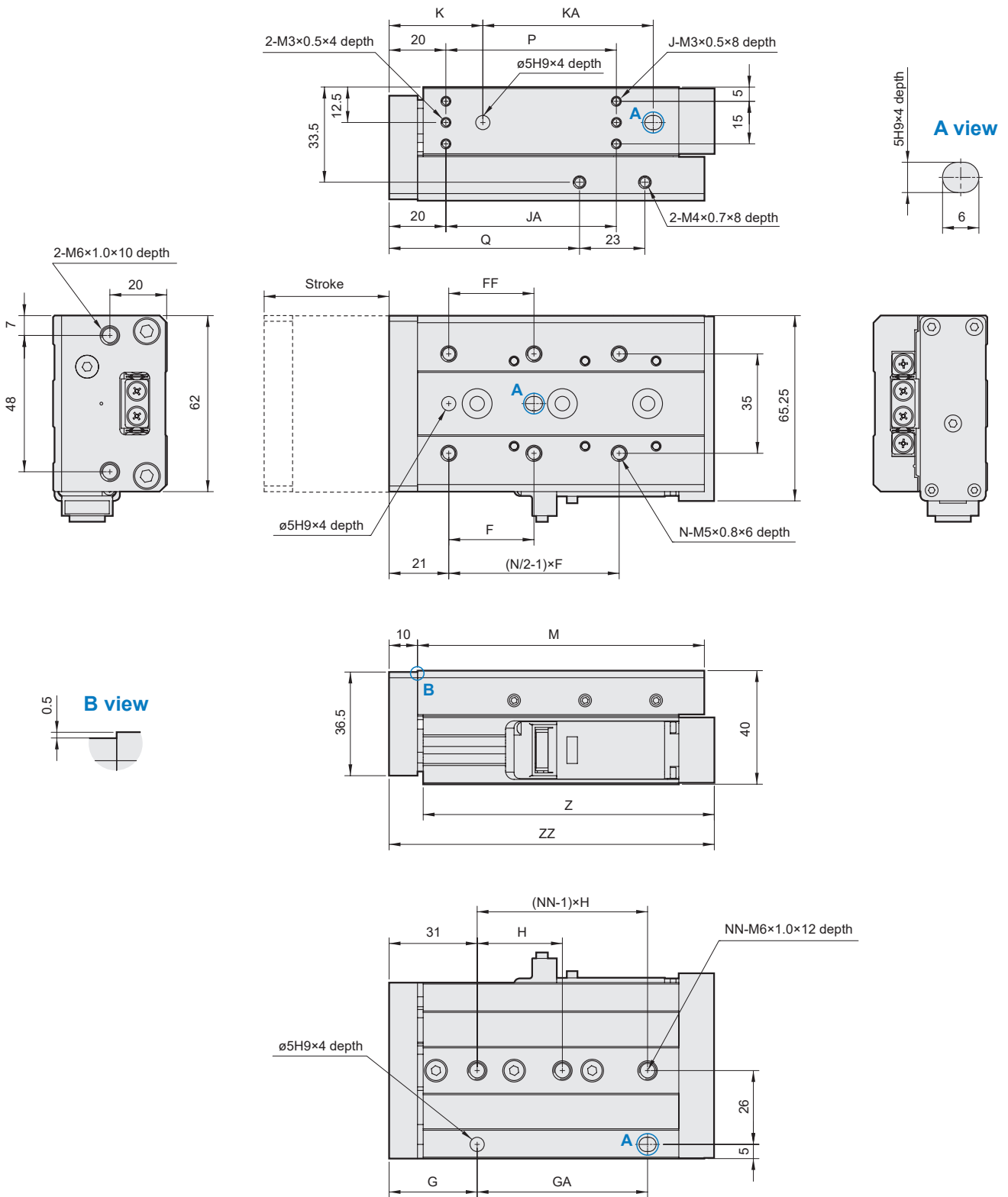


### Accessory kits

Sensor switch (×1)		Interrupter (×1)	
Mounting seat (×1)			
Bolt (×2)	Bolt (×2)	Bolt (×2)	Nut (×2)

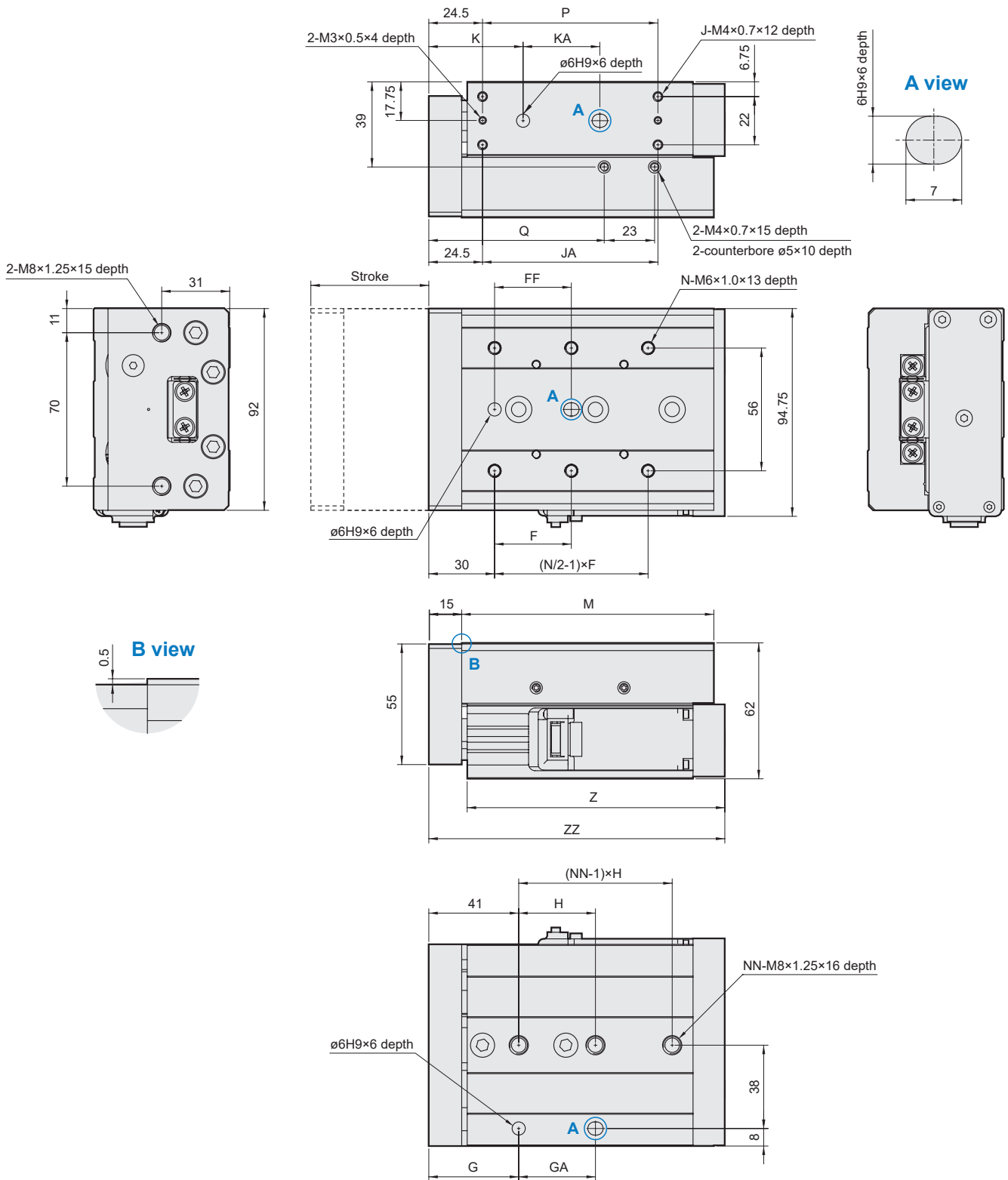
\* With cable 2m.

## MINIATURE ELECTRIC CYLINDER (WITH MOTOR)



Unit: mm

Stroke	F	FF	G	GA	H	J	JA	K	KA	M	N	NN	P	Q	Z	ZZ	Weight (g)
30	35	35	27	40	40	4	40	29	40	76	4	2	40	47	77.5	89.5	641
50	30	30	31	60	30	4	60	33	60	101	6	3	60	67	102.5	114.5	840
75	55	55	31	70	35	6	60	33	70	151	6	4	120	114	152.5	164.5	1172
100	65	65	31	70	35	6	75	33	70	199	6	5	150	159	200.5	212.5	1503



Unit: mm

Stroke	F	FF	G	GA	H	J	JA	K	KA	M	N	NN	P	Q	Z	ZZ	Weight (g)
30	50	40	30.5	45	45	4	40	32.5	45	92	4	2	40	60	94.5	112	1743
50	35	35	41	35	35	4	80	43	35	115	6	3	80	80	117.5	135	2030
75	60	60	41	70	35	6	120	43	70	156	6	4	120	111	158.5	176	2680
100	70	70	41	70	35	6	160	43	70	197	6	5	160	134	199.5	217	3380