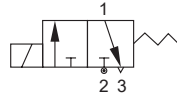


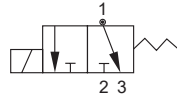
3/2 WAY N.C. PLUNGER TYPE SOLENOID VALVE



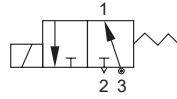
3/2 Function 1



3/2 Function 2



3/2 Function 3

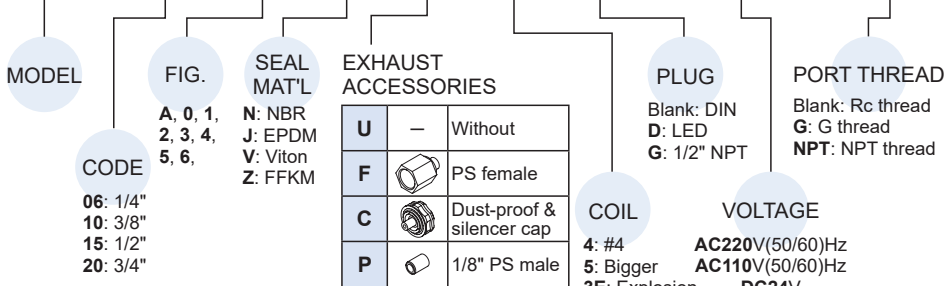


Specification

- IP65 waterproof coil.
- Continuous cycle, 100% ED
- Ex coil is EExm II T4 or EEx ia II C T6 PTB approval.
- Ambient temp.: -15~50°C (No freezing)
- Voltage tolerance: ±8%
- Installing position is free. (You'd better put the coil upright)
- Opening: 20~60 ms
- Closing: 40~120 ms

Order example

MCT - 06 - 2 - J - U - 5 - D - AC110 - □

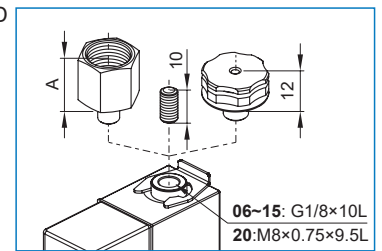


* Explosion-Proof (3E) coil with LED (D) plug is not applicable.

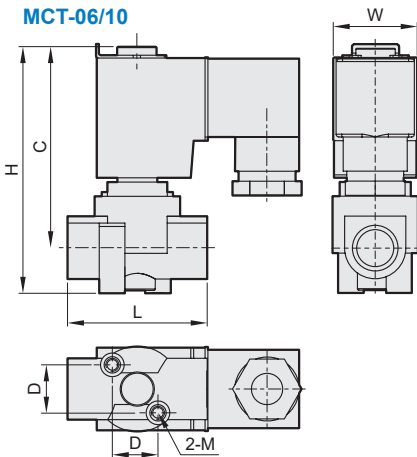
Power consumption

Coil power	4	5	3E
AC (VA)	19.5	23	9.2
DC (W)	15	18.5	10

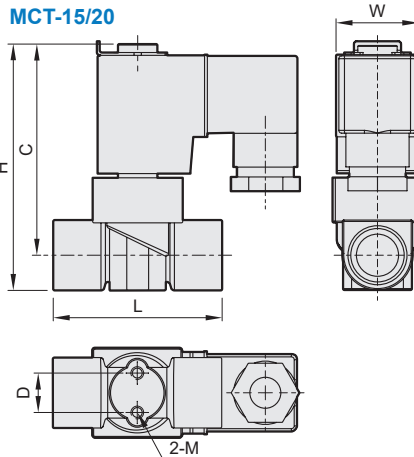
Exhaust accessories



MCT-06/10



MCT-15/20



Dimensions

Code Dimension (mm)	06	10	15	20	
A	21	23	—		
C	71		74		
D	20	21	14		
H	86	88	91		
L	49	56	60		
M	M5			M4	
W	4	31	32		
	5, 3E	36			
N.W (kg)	4	0.43	0.41	0.43	0.55
	5	0.51	0.49	0.51	0.63
	3E	0.76	0.74	0.76	0.88

Model MCT: Forged brass body, Available fluid: water, air, gas, vacuum, light oil (50 mm²/s down) etc. 3/2 way N.C.

Code (Port)	Fig. no.	Seal mat'l	Coil	Orifice mm		Temp. °C						Working pressure 0 ~ bar						CV	VAC. torr			
				Body	Tube	Coil 4, 3E			Coil 5			Coil 4			Coil 5					Coil 3E		
						N	J V	Z	N	J V	Z	1	2	3	1	2	3			1	2	3
				AC/DC, Functon																		
06(1/4) 10(3/8) 15(1/2) 20(3/4)	A	N J V Z	4 5 3E	1.0	1.6	-5	-10	-20	-5	-10	-20	1	2	3	1	2	1	2	3	0.02	10 ⁻²	
	0			12								10	3	16	12	11	10	3	0.05			
	1			9								10	3	12	12	8	10	3	0.10			
	2			7								10	2	8.5	12	6	10	2	0.15			
	3			5.5								8	2	7	10	5	8	2	0.20			
	4			4								6.5	1	5.5	8	3	6.5	1	0.31			
	5			2.5								4.5	1	4	5.5	2	4.5	1	0.51			
	6			1.5								4.5	1	2.5	5.5	1.5	4.5	1	0.65			
	0.8	4.5	1	1.5	5.5	0.8	4.5	1	0.65	10 ⁻¹												