

Caution

- Direct-acting valves are ideally suited to allocate at any angle.
- Voltage drop range is within $\pm 10\%$.
- Pressure of voltage DC is 70% of voltage AC only.
- Fluid temp.: $-10\sim+80^{\circ}\text{C}$ (Naphtha 120°C)

Not for fluid of

- Liquid when heat, solid when cool.
- Corrosive fluid.
- Viscosity over 50 cst.

Dimensions

Model	MXAD			
Code Dimension (mm)	6A/B/C	8A/B/C	10A/B/C	12A/B
A	41	50	55	
B	19	25	27	
C	90	94	98	
D	78	87	87	
E	37	42	42	
F	58	64.5	64.5	
G	15	15	—	
H	10.5	11.7	13	
N.W (kg)	0.49	0.47	0.73	0.78

Order example

MXAD \square - 6A - V - G - A - AC110 - G

MODEL

BODY MAT'L

Blank: Brass
S: S.Steel (*1)

PORT SIZE

6A, 6B, 6C,
8A, 8B, 8C,
10A, 10B, 10C,
12A, 12B

SEAL MAT'L

N: NBR
V: Viton
S: Silicon
J: EPDM

COIL

G: Square DIN

FLUID

W: Water
A: Air
G: Gas
LO: Light oil (*2)
VA: Vacuum

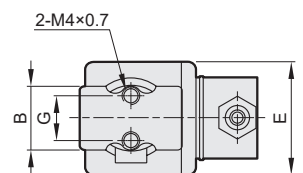
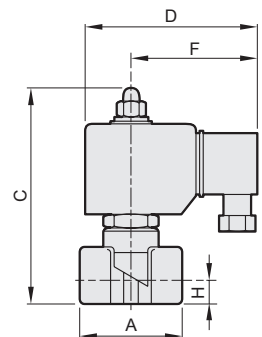
VOLTAGE

AC220V(50/60)Hz
AC110V(50/60)Hz
DC24V

PORT THREAD

Blank: Rc thread
G: G thread
NPT: NPT thread

*1. Stainless steel material is custom made.
*2. Note, if diesel fuel or gasoline.



Specification

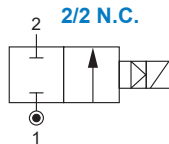
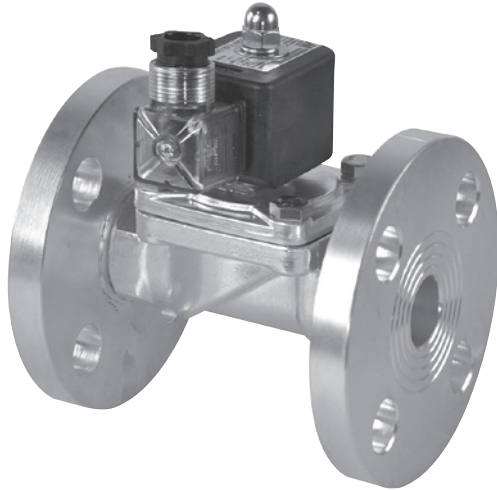
Model MXAD: Forged brass body, for water, air, gas, naphtha, vacuum.

Code (Port size)	Seal Mat'l	Orifice mm	Max. operating pressure diff. (0~bar)						CV
			Water	Air	Gas	Naphtha	Vacuum	acid & alkali(S.Steel)	
6A(1/8")	N S J V	3	0~10	0~10	0~10	0~7	0~10 ^e Torr	0~10	0.26
6B(1/8")		4	0~7	0~7	0~7	0~5	0~10 ^e Torr	0~7	0.58
6C(1/8")		5	0~5	0~5	0~5	0~3	0~10 ^e Torr	0~5	0.64
8A(1/4")		3	0~10	0~10	0~10	0~7	0~10 ^e Torr	0~10	0.26
8B(1/4")		4	0~7	0~7	0~7	0~5	0~10 ^e Torr	0~7	0.58
8C(1/4")		5	0~5	0~5	0~5	0~3	0~10 ^e Torr	0~5	0.64
10A(3/8")		4	0~10	0~10	0~10	0~7	0~10 ^e Torr	0~10	0.58
10B(3/8")		6	0~5	0~5	0~5	0~3	0~10 ^e Torr	0~5	0.79
10C(3/8")		8	0~2	0~2	0~2	0~1	0~10 ^e Torr	0~2	0.97
12A(1/2")		6	0~5	0~5	0~5	0~3	0~10 ^e Torr	0~5	0.79
12B(1/2")		8	0~2	0~2	0~2	0~1	0~10 ^e Torr	0~2	0.97

* Connect air source to outlet port for vacuum application.

MXAD-AF series

2/2 WAY N.C. DIAPHRAGM TYPE DIRECT ACTING SOLENOID VALVE



Caution

- Direct-acting valves are ideally suited to allocate at any angle.
- Voltage drop range is within $\pm 10\%$.
- Pressure of voltage DC is 70% of voltage AC only.
- Fluid temp.: $-10\sim+80^{\circ}\text{C}$ (Naphtha 120°C)

Not for fluid of

- Liquid when heat, solid when cool.
- Corrosive fluid.
- Viscosity over 50 cst.

Dimensions

Model	MXAD						
Code Dimension (mm)	14	15	20	25	35	40	50
A	75	75	85	100	120	120	150
B	52	52	60	70	90	90	120
C	107	107	116	122	142.5	142.5	160
G	3/8"	1/2"	3/4"	1"	1 1/4"	1 1/2"	2"
H	14.5	14.5	18	23	33	33	40.5
N.W (kg)	1.03	1.06	1.24	1.51	2.87	2.77	4.81

Order example

MXAD - 35 - V - G - A - AC110 - G

MODEL

BODY MAT'L

Blank: Brass
S: S.Steel (*1)

SEAL MAT'L

N: NBR
V: Viton
S: Silicon
J: EPDM

FLUID

W: Water
A: Air
G: Gas
LO: Light oil (*2)
VA: Vacuum

COIL
G: Square DIN

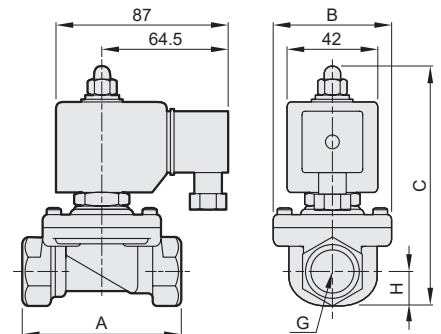
VOLTAGE

AC220V(50/60)Hz
AC110V(50/60)Hz
DC24V

PORT THREAD

Blank: Rc thread
G: G thread
NPT: NPT thread

PORT SIZE	CODE	
14	3/8"	-
15	1/2"	
20	3/4"	
25	1"	Blank: Standard AF: Flange end (JIS 10K)
35	1 1/4"	
40	1 1/2"	
50	2"	



Dimensions

Model	MXAD-**AF			
Code Dimension (mm)	25AF	35AF	40AF	50AF
A	130	160	160	200
B	125	135	140	155
C	165	177	180	195
G	14	16	16	16
N.W (kg)	5.35	7.75	8.0	11.0

Specification

Model MXAD: Forged brass body, for water, air, gas, naphtha, Vacuum.

Code (Port size)	Seal Mat'l	Orifice mm	Max. operating pressure diff. (0~bar)						CV
			Water	Air	Gas	Naphtha	Vacuum (Torr)	acid & alkali (S.Steel)	
14(3/8")	N S J V	15	0~10	0~10	0~10	0~10	0~10 ⁻⁶	0~10	4.5
15(1/2")		15	0~10	0~10	0~10	0~10	0~10 ⁻⁶	0~10	4.5
20(3/4")		20	0~10	0~10	0~10	0~10	0~10 ⁻⁶	0~10	9.3
25(1")		25	0~10	0~10	0~10	0~10	0~10 ⁻⁶	0~10	13.2
35(1 1/4")		35	0~10	0~10	0~10	0~10	0~10 ⁻⁶	0~10	26
40(1 1/2")		35	0~10	0~10	0~10	0~10	0~10 ⁻⁶	0~10	26
50(2")		50	0~7	0~7	0~7	0~5	0~10 ⁻⁶	0~7	48

* Connect air source to outlet port for vacuum application.

