

### Specification

- IP65 100% ED coil.
- PTB approval EExm II T4 coil.

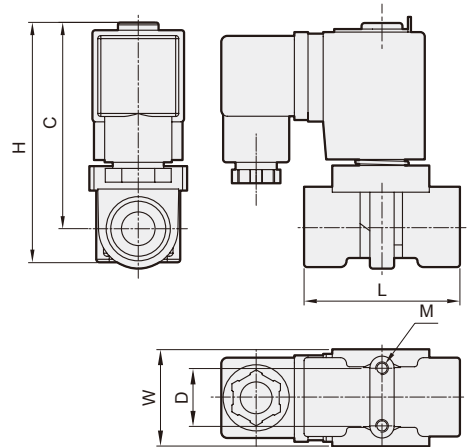
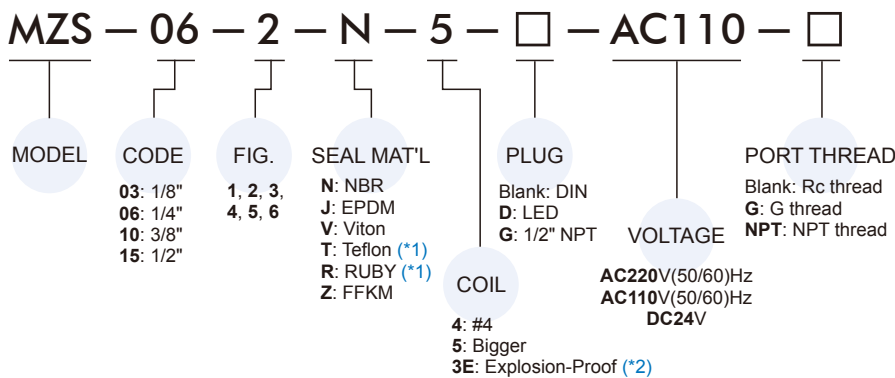
### Power consumption

Coil power	4	5	3E
AC (VA)	18.0	24.0	8.6
DC (W)	15.0	18.5	10.0

### Dimensions

Model	MZS				
	Code	03	06	10	15
Dimension (mm)					
<b>L</b>		41		51.5	
<b>W</b>	Coil 4		32		
	Coil 5		36		
	Coil 3E		36		
<b>H</b>		74.5		80.5	
<b>C</b>		66		68	
<b>D</b>		16		19	
<b>M</b>		M3×0.5		M4×0.7	
N.W (kg)	Coil 4	0.37	0.36	0.45	0.43
	Coil 5	0.45	0.44	0.53	0.51
	Coil 3E	0.67	0.66	0.75	0.73

### Order example



\*1. When the seal material is (T) Teflon or (R) RUBY, the valve has slight leakage.  
 \*2. Explosion-Proof (3E) coil with LED (D) plug is not applicable.

Model **MZS**: Forged brass body, 2/2 way N.C., for water, air, gas, light oil (50cst down), vacuum etc.

Code (Port)	Fig. no.	Seal mat'l	Coil	Orifice mm	Temp. °C						Max. O.P.D. bar (Min. 0 bar)						CV	VAC. torr		
					Coil 4, 3E			Coil 5			Coil 4		Coil 5		Coil 3E					
					N	JV	TRZ	N	JV	TRZ	AC	DC	AC	DC	AC	DC				
03(1/8) 06(1/4) 10(3/8) 15(1/2)	1	N	4 5 3E	1.6								30	20	40	30	25	20	0.10	10 <sup>-2</sup>	
	2	J		2.0									24	14	30	28	16	12		0.15
	3	V		2.5									17	10	24	20	10	8		0.20
	4	T		3.0									10	6	16	13	7	6		0.31
	5	R		4.0	80	145	160	80	145	185			8	4	12	8	4.5	3.5		0.54
	6	Z		5.0									6	2	9	5	2.5	2		0.80

\* The max. orifice for seal T = 4.0mm, R = 2.5mm.  
 \* Seal T and R will have slight leakage, so it will not be suitable for vacuum.