

Specification

- IP65 waterproof coil.
- Continuous cycle, 100% ED
- Ex coil is EExm II T4 or EEx ia II C T6 PTB approval.
- Ambient temp.: -15~50°C
- Voltage tolerance: ±8%
- Installing position is free. (You'd better put the coil upright)

Power consumption

Coil power	2	3	2E
AC (VA)	6.9	8.0	5.3
DC (W)	6.0	6.8	5.2

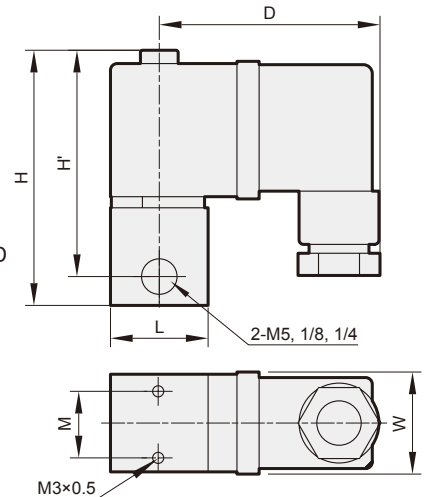
Dimensions

Model	MBS			
Code Dimension (mm)	01	03	04	06
D	#2	51	51	51
	#3	54	54	54
	#2E	48	48	48
H	54	58	60	60
H'	49	51	51	51
L	22	22	35	35
M	15	15	11	11
W	#2	22	22	22
	#3, 2E	30	30	30
N.W. (kg)	#2	0.16	0.17	0.20
	#3	0.21	0.22	0.25
	#2E	0.48	0.49	0.52

Order example

MBS - 03 - 2 - N - 2 - D - AC110 - □

MODEL	CODE	FIG.	COIL	VOLTAGE	PLUG	PORT THREAD
	01: M5 03: 1/8 04: 1/8 06: 1/4	1, 2, 3, 4, 5, 6, 7	2: #2 3: Bigger 2E: Explosion-Proof (*2)	AC220V(50/60)Hz AC110V(50/60)Hz DC24V	Blank: DIN D: LED G: 1/2" NPT Y: 2 wires (only for coil #2)	Blank: Rc thread G: G thread NPT: NPT thread
			SEAL MAT'L N: NBR J: EPDM V: Viton T: Teflon (*1) Z: FFKM			



*1. When the seal material is (T) Teflon, the valve has slight leakage.
*2. Explosion-Proof (2E) coil with LED (D) plug is not applicable.

Specification

Model MBS: Brass body, mini 2/2 way N.C. for air, gas, water, vacuum, light oil (50cst down) etc.																						
Code (Port)	Fig. no.	Seal mat'l	Coil	Orifice mm	Temp. °C										Max. O.P.D bar (Min. 0 bar)						CV	VAC. torr
					Coil 2, 2E					Coil 3					Coil 2		Coil 3		Coil 2E			
					N	J	V	T	Z	N	J	V	T	Z	AC	DC	AC	DC	AC	DC		
01(M5) 03(1/8) 04(1/8) 06(1/4)	1	N J V T Z	2 3 2E	1.0											30						0.03	10 ⁻²
	2			1.3											30	24	30	30	30	30	0.05	
	3			1.6	-5	-10	-20	-5	-10	30	20	30	30	30	24	0.09						
	4			2.0	~	~	~	~	~	16	11	22	20	17	14	0.14						
	5			2.5	80	80	80	80	145	10	7	12	10	10	8	0.18						
	6			3.0						6	4	8	8	7	5	0.27						
	7*1			5.0						1	0.2	2	0.5	1	0.1	0.40						

*1. Only for code 01(M5), 03(1/8).
*2. Connect air source to outlet port for vacuum application.