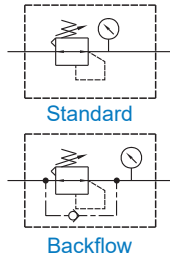


# MAR200 series

## PRESSURE REGULATOR



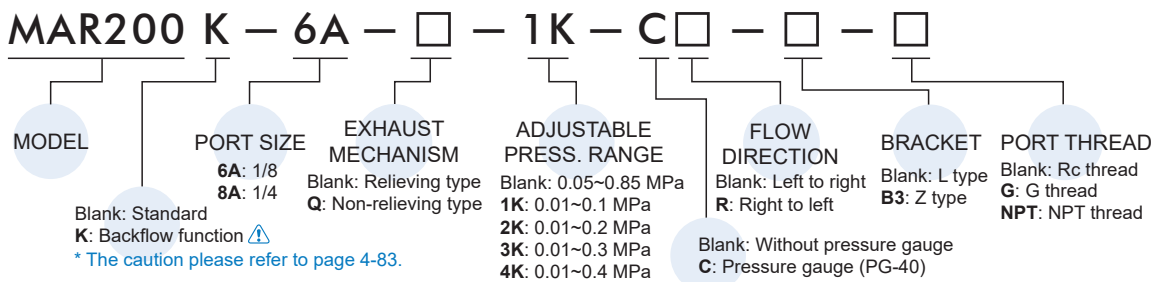
### Symbol



### Specification

Model	MAR200	
Bore No.	6A	8A
Port size	1/8	1/4
Medium	Air	
Max. operating pressure	1 MPa	
Proof pressure	1.5 MPa	
Regulated pressure range	Standard type: 0.05~0.85 MPa	
Ambient temperature	- 5~+60°C (No freezing)	
Attachment	L type bracket	
Option	Pressure gauge (PG-40), Z-type bracket	
Weight	190 g	

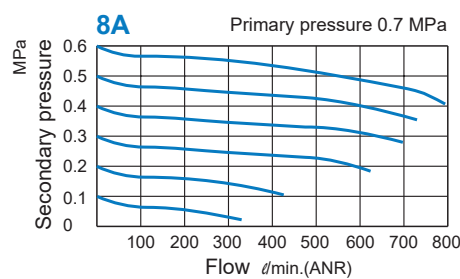
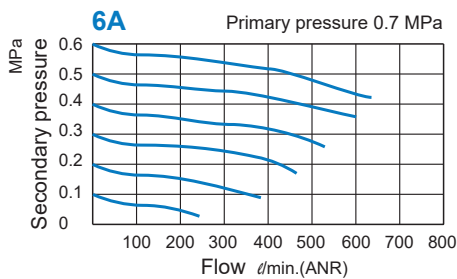
### Order example



\* Standard type regulator can not release the outlet pressure completely, even if inlet pressure was cut off, and the backflow function (K) must be applied to completely remove the residual pressure.

\* The (Q) non-relieving type regulator is used. When the output pressure is higher than the set pressure, the output pressure will not flow out through the exhaust hole.

### Flow feature



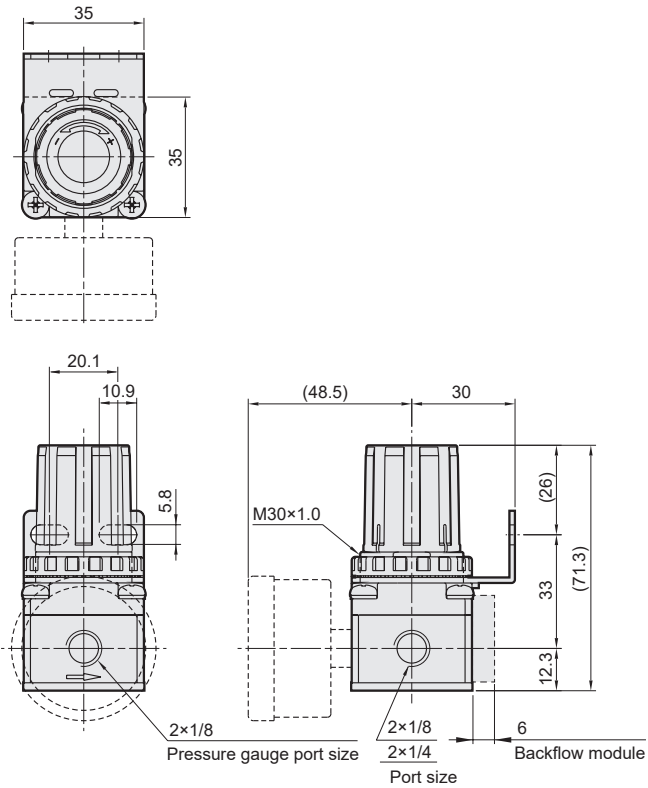
# MAR200 Dimensions

## PRESSURE REGULATOR



### MAR200

L type bracket



### MAR200-B3

Z type bracket

