

Features

- Plate type design for ultra compact, Oval piston design for space saving.
- Sensor slots on sides for flush mounting of proximity sensors.
- Magnetic as standard.

Specification

Model	MCJU				
Acting type	Double acting				
Tube I.D. (mm)	25	32	40	50	63
Port size	M5×0.8	Rc1/8	Rc1/4		
Medium	Air				
Operating pressure range	0.05~0.7 MPa				
Proof pressure	1.0 MPa				
Available speed range	50~500 mm/sec				
Cushion	Rubber bumper				
Lubricator	Without lubrication				
Stroke length tolerance (*1)	+0~+1.5 mm				
Ambient temperature	-5°C~+60°C (No freezing)				
Sensor switch (*2)	RDFE(V), RDGV				

Table for standard stroke

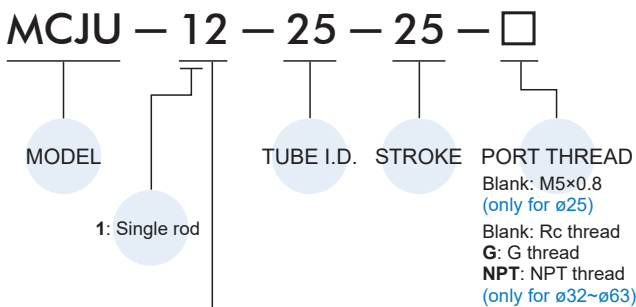
Tube I.D.	Stroke (mm)	Max. stroke
ø25,32,40 50,63	5,10,15,20,25,30,40,50,75, 100,200,250	300

* Please contact us if the stroke is out of specification.

*1. Stroke length tolerance does not include the amount of bumper change.

*2. RDFE, RDGV specification, please refer to page 8-19, 20.

Order example



STYLE

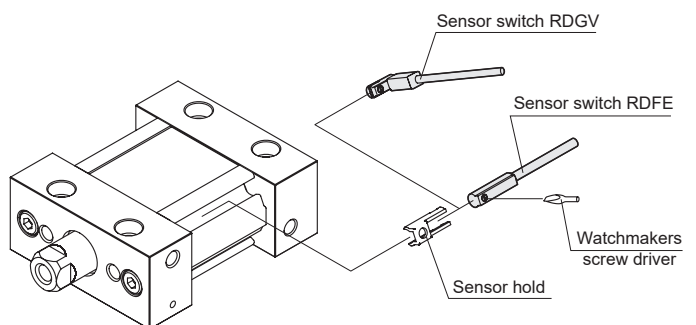
Code	Symbol	Description
1 1		Double acting / Male thread
1 2		Double acting / Female thread
2 1		Double rod / Male thread
2 2		Double rod / Female thread

* Order example for special specification, refer to page 0-7.

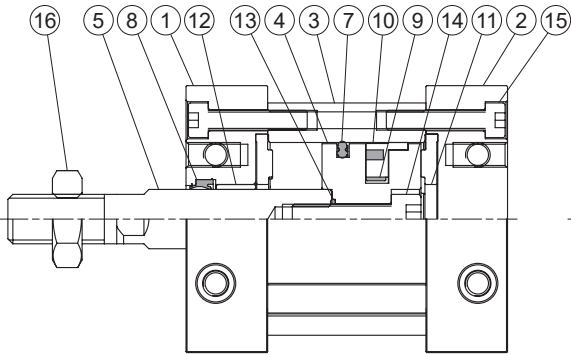
Order example of mounting accessories

Code	LB (Purchase 2 pcs)	FAC	FBC
Mounting Tube I.D.			
ø25	LB-J3-25	FAC-J3-25	
ø32	LB-J3-32	FAC-J3-32	
ø40	LB-J3-40	FAC-J3-40	
ø50	LB-J3-50	FAC-J3-50	
ø63	LB-J3-63	FAC-J3-63	

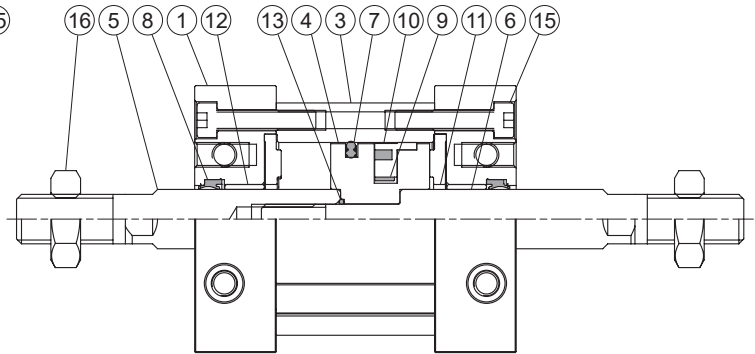
Installation of sensor switch



Single rod



Double rod



Material

No.	Part name	Material	Q'y / Style				Repair kits (inclusion)
			11	12	21	22	
1	Rod cover	Aluminum alloy	1	2			
2	End cover	Aluminum alloy	1	-			
3	Tube	Aluminum alloy		1			
4	Piston	Aluminum alloy		1			
5	Piston rod-R *1	Carbon steel		1			
6	Piston rod-H *1	Carbon steel	-	1			
7	Piston packing	HNBR		1		●	
8	Rod packing	HNBR	1	2		●	
9	Magnet	Magnet material		4			
10	Wear ring	Resin		1			
11	Cushion pad	TPU		2			
12	Bush	Bearing alloy	1	2			
13	O-ring	NBR		1			
14	Piston bolt	Stainless steel	1	-			
15	Bolt	Stainless steel		4			
16	Nut	Carbon steel	1	-	2	-	




*1. When customized material is bearing steel, only two-side across flat (wrench flat) is available.

Order example

Repair kits

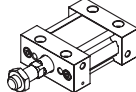
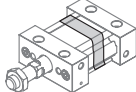
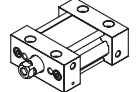
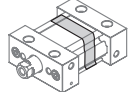
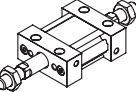
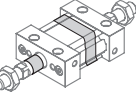
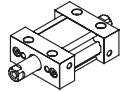
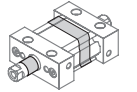
Tube I.D.	Repair kits
ø25	PS-MCJU-25
ø32	PS-MCJU-32
ø40	PS-MCJU-40
ø50	PS-MCJU-50
ø63	PS-MCJU-63

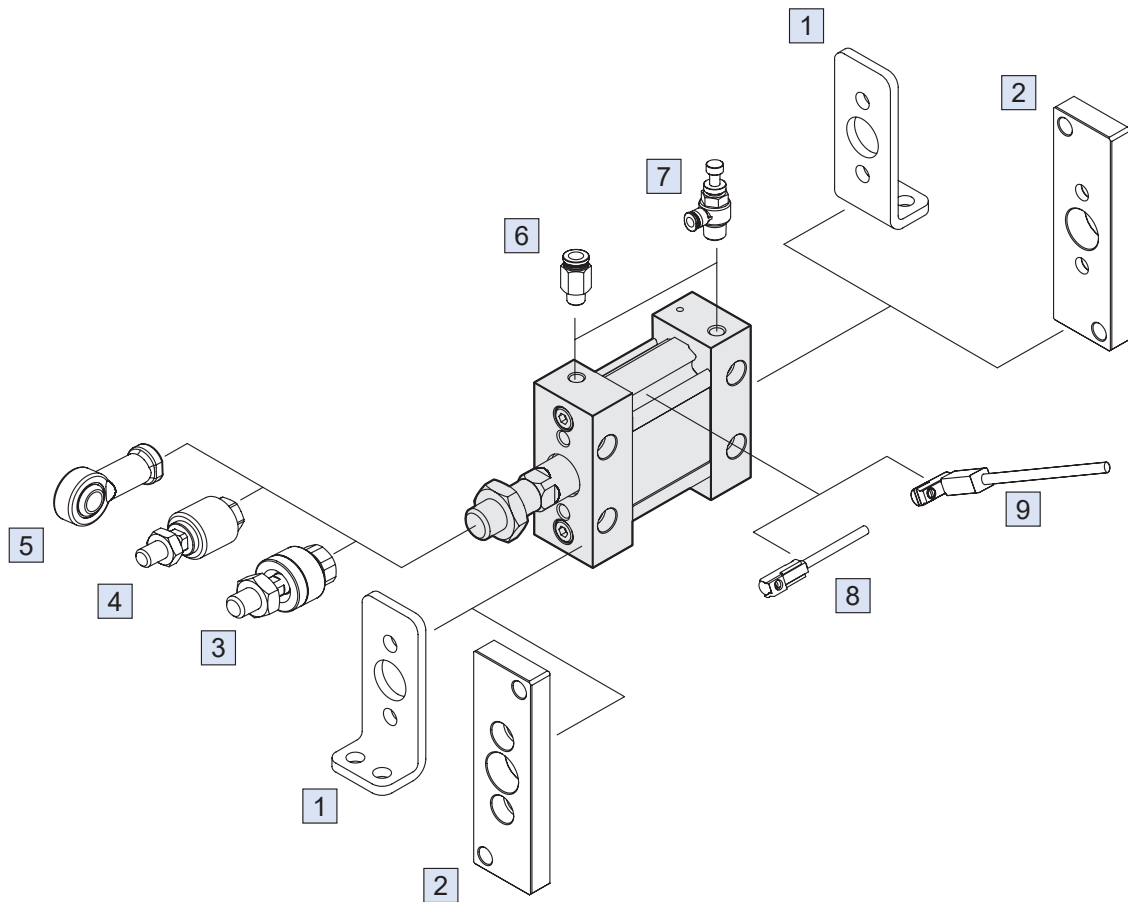
Accessories weight

Model	LB	FAC/FBC	Nut
Tube I.D.			
ø25	67	97	8
ø32	141	141	11
ø40	204	226	16
ø50	324	447	32
ø63	616	809	32

Cylinder weight

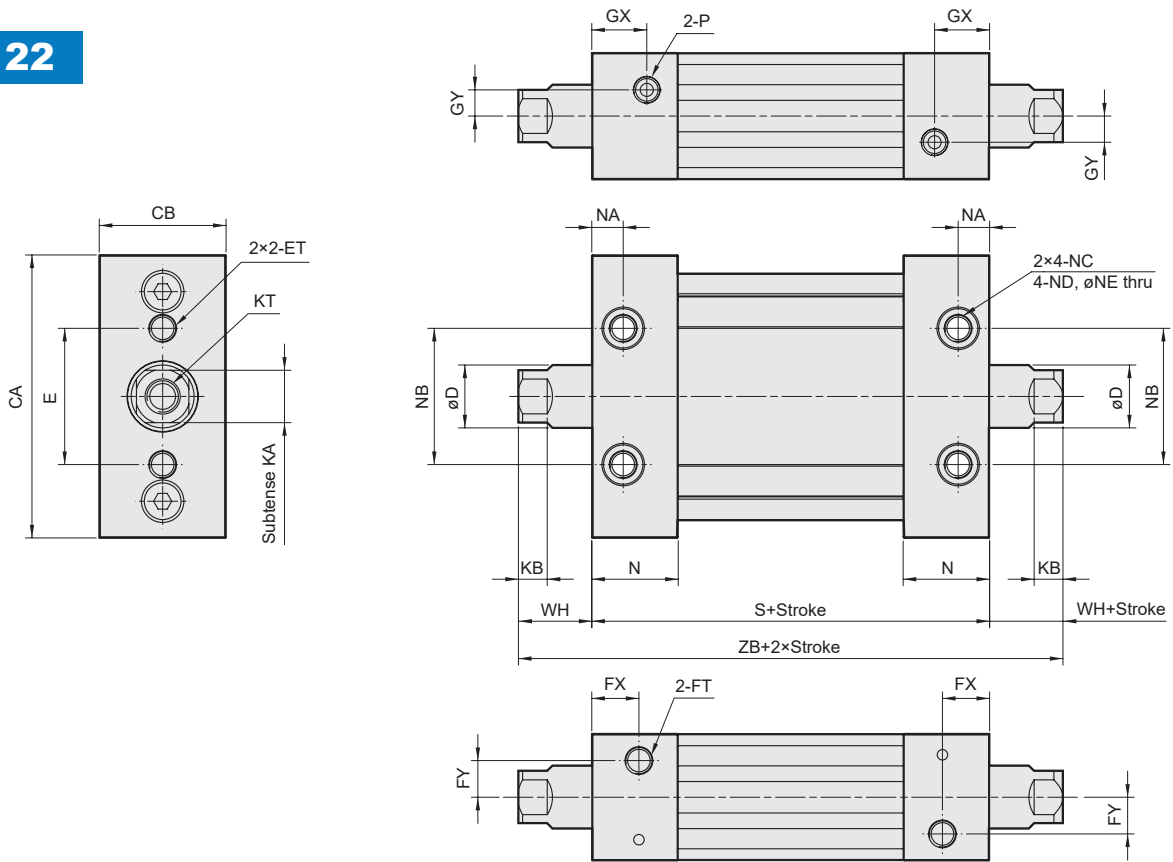
Unit: g

Model	Basic weight MCJU-11	Stroke 10mm MCJU-11	Basic weight MCJU-12	Stroke 10mm MCJU-12	Basic weight MCJU-21	Stroke 10mm MCJU-21	Basic weight MCJU-22	Stroke 10mm MCJU-22
Tube I.D.								
ø25	192	20	167	20	246	28	198	28
ø32	320	27	282	27	381	40	305	40
ø40	454	37	403	37	561	54	444	54
ø50	846	57	768	57	1060	83	842	83
ø63	1234	76	1157	76	1466	102	1248	102

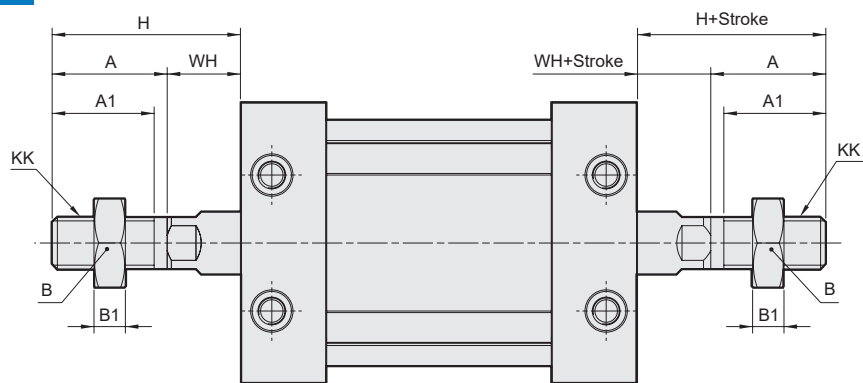


No.	Accessories	Material	Page
1	Mounting accessories LB	Carbon steel	2-70
2	Mounting accessories FAC/FBC	Carbon steel	2-70
3	Floating joint MFC	Carbon steel	8-2
4	Floating joint MFCS	Carbon steel	8-5
5	Female rod ends PHS	Carbon steel	8-6
6	Fitting PC (PISCO)	-	8-3 (Vol.1)
7	Speed controller JSC (PISCO)	-	8-15 (Vol.1)
8	Sensor switch RDFE	-	8-19
9	Sensor switch RDGV	-	8-20

22



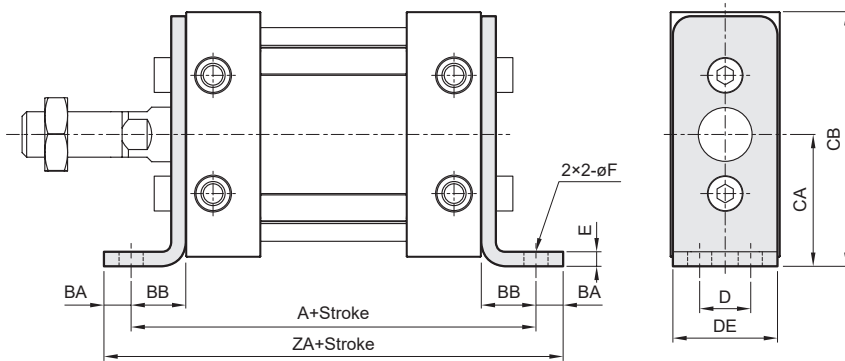
21 Male thread



Code Tube I.D.	A	A1	B	B1	CA	CB	D	E	ET	FT	FX	FY	GX	GY	H	KA	KB	KK
25	22	19.5	17	6	54	24.2	12	26	M5×0.8×11 dp	M5×0.8×7.5 dp	9	7	10.5	5	36	10	5.5	M10×1.25
32	26	23.5	19	7	68	28	14	42	M6×1.0×11 dp	M6×1.0×12 dp	6.5	8	9	5.5	40	12	5.5	M12×1.75
40	30	27	22	8	86	32	16	54	M8×1.25×11 dp	M8×1.25×13 dp	8	9	10	7	45	14	6	M14×1.5
50	35	32	26	11	104	39	20	64	M10×1.5×15 dp	M10×1.5×14.5 dp	10	9	11.5	8	53	18	7	M18×1.5
63	35	32	26	11	124	50	20	72	M12×1.75×15 dp	M12×1.75×18 dp	11	12	11.5	10	56	18	7	M18×1.5

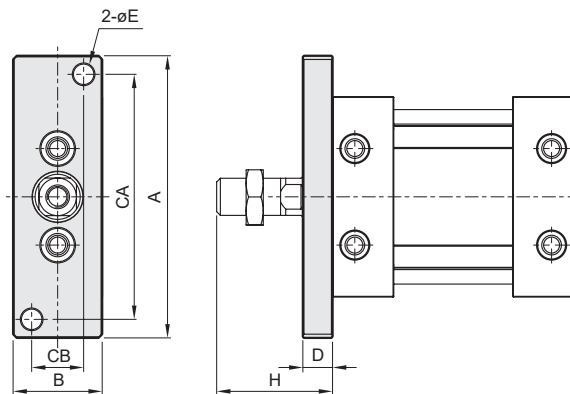
Code Tube I.D.	KT	N	NA	NB	NC	ND	NE	S	P	WH	ZB
25	M6×1.0×12 dp	16.5	6	26	sinkø7.5×4.5 dp	M5×0.8	4.2	55	M5×0.8	14	83
32	M8×1.25×13 dp	18	6.5	28	sinkø9×5.5 dp	M6×1.0	5.1	58	Rc1/8	14	86
40	M8×1.25×13 dp	18.5	8	36	sinkø10.5×6.5 dp	M8×1.25	6.7	60	Rc1/8	15	90
50	M10×1.5×15 dp	24	10	42	sinkø13.5×8.5 dp	M10×1.5	8.5	74	Rc1/4	18	110
63	M10×1.5×15 dp	24	11	46	sinkø17×10.5 dp	M12×1.75	10.2	75	Rc1/4	21	117

LB



Code Tube I.D.	A	BA	BB	CA	CB	D	DE	E	F	ZA
25	79	6	12	29	56	11	23	3.2	5.5	91
32	90	8	16	37	71	12	27	4.5	6.6	106
40	96	10	18	46	89	15	31	4.5	9	116
50	116	11	21	57	109	18	37	5	11	138
63	123	14	24	67	129	22	48	6	13.5	151

FAC



Code Tube I.D.	A	B	CA	CB	D	E	H	ZB
25	76	24	66	14	8	5.5	36	99
32	94	28	82	16	8	7	40	106
40	118	32	102	18	9	9	45	114
50	144	39	126	22	12	11	53	139
63	168	50	148	30	14	13	56	145

FBC

