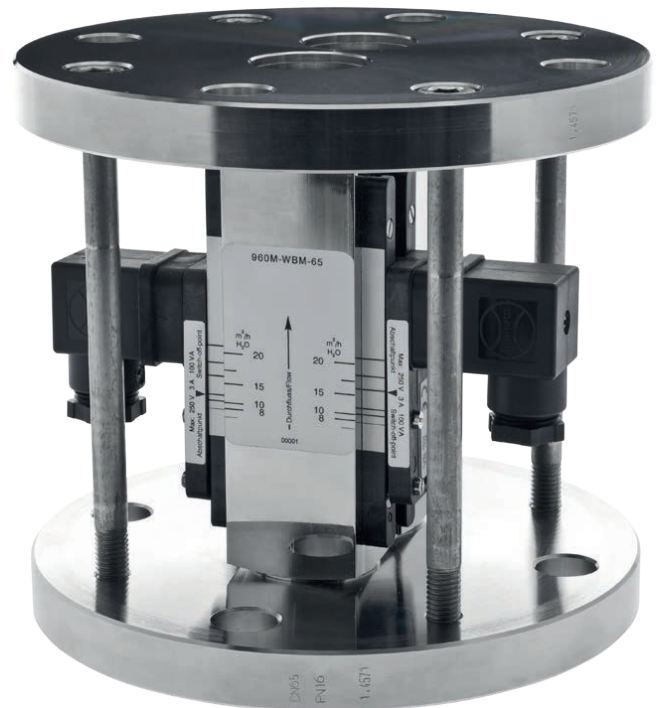


Flow Monitor

WBM-65



OVERVIEW

Operation

- Float measuring principle

Application

- Cooling systems and cooling circuits
- Mechanical engineering
- Plant construction
- Pharmaceutical industry
- Chemical industry

Features

- Universal orientation
- High reliability
- High flow rates
- Flange connection in compliance with DIN EN 1092-1
- Seal in compliance with DIN EN 1514-1

Installation information

- The operating instructions for WBM-65 Module BASICS must be observed!
- **Download: www.meister-flow.com**

OPERATING DATA

Operating pressure, max.	16 bar (optional: PN 25)
Pressure drop	0,3 bar
Temperature, max.	100 °C (optional 160 °C)
Measuring accuracy	±10 % of full scale

MEASURING RANGES

Type	Switch point for H₂O at 20 °C ⁽¹⁾
	m³/h
WBM-65	
Lowest switch point	8
Highest switch point	20

⁽¹⁾ The specified measuring- / switch ranges are valid for water having a density of 1.00 kg/dm³, vertical installation of the device and flow direction from bottom to top.

Other installation positions or deviation from the operating densities will increase the measurement error specified in the data sheet.

Operating density for water at 20 °C and 1.013 bar (absolute value): 1.00 kg/dm³.

Upon request, special scales for deviating media, different operating conditions and installation positions (only for devices which can be installed in any position) are available.

The specified switch values are switch-off points, i.e. switch values by decreasing flow.

MATERIALS

Brass version, wetted parts

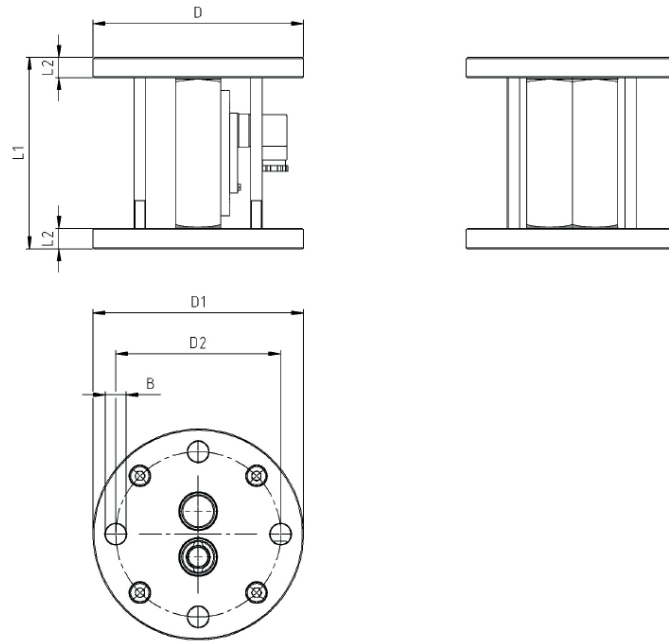
Spring:	1.4571
Gaskets:	NBR (optional FKM, EPDM) ⁽²⁾
Magnets:	Hard ferrite
Device body:	Brass, nickel-plated
Flange:	1.4571
all other wetted parts:	Brass

Stainless steel version, wetted parts

Spring:	1.4571
Gaskets:	FKM (optional NBR, EPDM) ⁽²⁾
Magnets:	Hard ferrite
Device body:	1.4571
Flange:	1.4571
all other wetted parts:	1.4571

⁽²⁾ Other gasket materials on request

TECHNICAL DRAWING



SUMMARY OF TYPES

Type	Overall dimensions [mm]												Weight approx. [g]
	PN	DN	n	L1	L2	T	D	D1	D2	A1	A2	A3	
WBM-65	16	65	4	168	18	18	185	185	145	-	-	-	1340
	25	65	8	176	22	18	185	185	145	-	-	-	1500

ELECTRICAL DATA

Change over (COC)	250V · 1,5A · 50VA ⁽³⁾
Normally open (NOC)	250V · 3A · 100VA
Change over M12x1 (-20 °C – 85 °C)	250V · 1,5A · 50VA ⁽³⁾
Normally open M12x1 (-20 °C – 85 °C)	250V · 3A · 100VA
Change over PLC	250V · 1A · 60VA

⁽³⁾ Minimum load 3VA

ELECTRICAL CONNECTION

- Connector in compliance with EN 175301-803, Form A (DIN 43650, Form A)
- Connector M12x1
- Cable (1 m)

Ingress Protection

IP65: Connector in compliance with EN 175301-803, Form A
IP67: Cable or connector M12x1

Output signal

The contact opens / changes when the flow decreases below the set point.

Power supply

Not required (potential-free reed contacts)

Connector types

Other connector types or cable lengths on request

CONNECTION DIAGRAM

