

# Data Sheet for Precision adjustment Knobs

Precision adjustment knob with digit role and locking mechanism

Series MCD



## Adjustment knob MCD in Ø30,5 mm housing with 3 digit display (10 rev.) and locking mechanism

- Knob with 3 digit display
- With locking mechanism
- For 3..6.35 mm shafts
- MCDK - version without decorative ring around the lens

The MCD series allows a very precise manual handling with 10 revolutions. The lock prevents unintentional adjustments.

### Data adjustment knob

Number of full revolutions	10
Counter range of the adjustment knob	3 digit counter role (000..999)
Brake available	yes
For shaft diameter	3 mm / 3.175 mm / 4 mm / 6 mm / 6.35 mm
Shaft length (of sensor) over panel	max. 18 mm, min. 11 mm
Housing dimensions	30.5 mm
Housing depth	31.5 mm
Knob diameter	23 mm
Operating temperature range	-30 °C up to +60 °C
Storage temperature range	-30 °C up to +60 °C
Protection grade (IEC 60529)	IP42
Colour adjustment knob	Black - MCD with decorative ring, MCDK without
Material knob/housing	Plastic and metal
Mass	ca. 30 g
Mounting parts included in delivery	Fixing spacer, fixing ring, washer, hexagon socket wrench

### Order code

Description	Selection: <b>standard=black/bold</b> , possible <i>options=grey/italic</i>				
<b>Series:</b>	<b>MCD</b>				
<b>Decorative ring:</b>					
<b>With decorative ring</b>		-			
<i>Option without decorative ring</i>		K			
<b>For shaft diameter:</b>					
<b>Ø 6,00</b>			<b>6 MM</b>		
<b>Ø 6,35</b>			<b>1/4 "</b>		
<i>Option Ø 3</i>			3 MM		
<i>Option Ø 3,175</i>			3,17 MM		
<i>Option Ø 4</i>			4 MM		

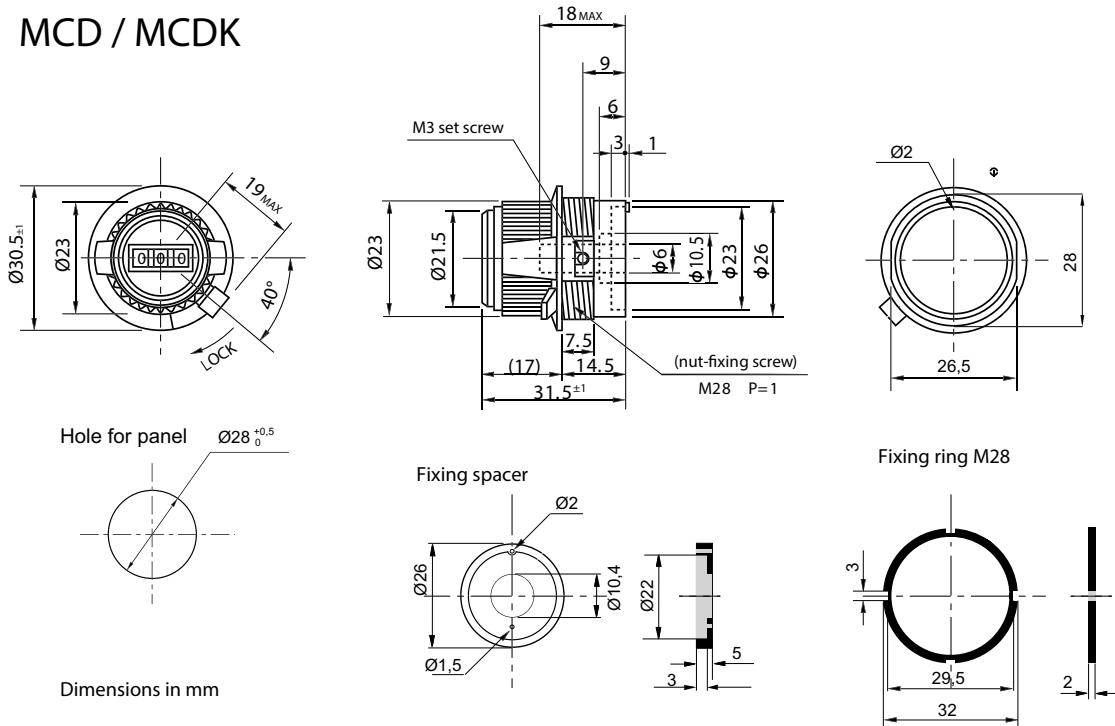
# Data Sheet for Precision adjustment Knobs

Precision adjustment knob with digit role and locking mechanism

Series MCD

## Drawing

### MCD / MCDK

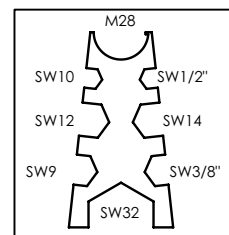


Dimensions in mm

Included in delivery: fixing spacer, washer, fixing ring and hexagon wrench

Note: For mounting fixing ring use wrench A30 according to DIN1810 or order MCM #106999 (wrench not included in delivery)

Ringnut Tool MCM not included in delivery



### Mounting method example

