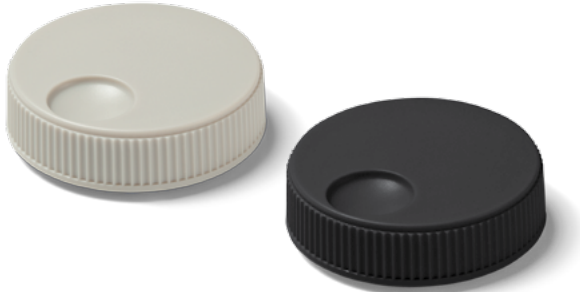


Data Sheet for adjustment Knobs

Adjustment knob

Series EKM



The knob in Ø33 mm is fixed with screws. The knob is suitable for Ø6 mm shafts and available in the colours grey and black. The recessed grip and the ribbed edge give the knob a secure haptic appearance.

- For Ø6 mm shafts
- In black or grey

Data	
Ø knob	33 mm
For Ø shaft	Ø6 mm
Material knob	ABS
Material hub	Brass
Operating temperature range	0 °C up to +60 °C
Storage temperature range	-20 °C up to +80 °C
Colour knob	Grey or black
Fastening parts included in delivery	2 screws

Order code			
Description		Selection: standard=black/bold , possible <i>options=grey/italic</i>	
Series	EKM		
Shaft diameter: Ø 6 mm		101	
Knob colour: Grey <i>Option black</i>			GRAU <i>SCHWARZ</i>

For higher quantities or on-going demand, additional options are available as described below on request

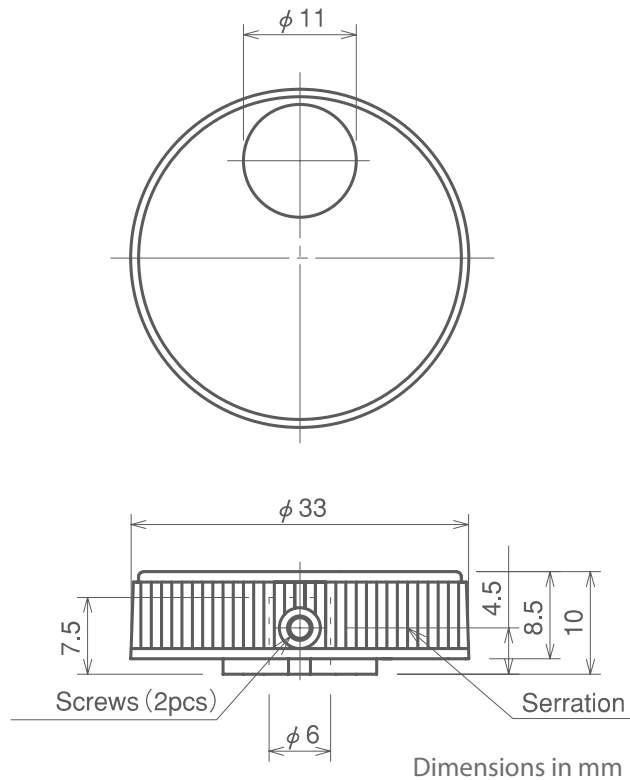
For example: Other shaft diameters or other colours

Data Sheet for adjustment Knobs

Adjustment knob

Series EKM

Drawing



Accessories: M3X3 A fixed screw with the hexagon hole.