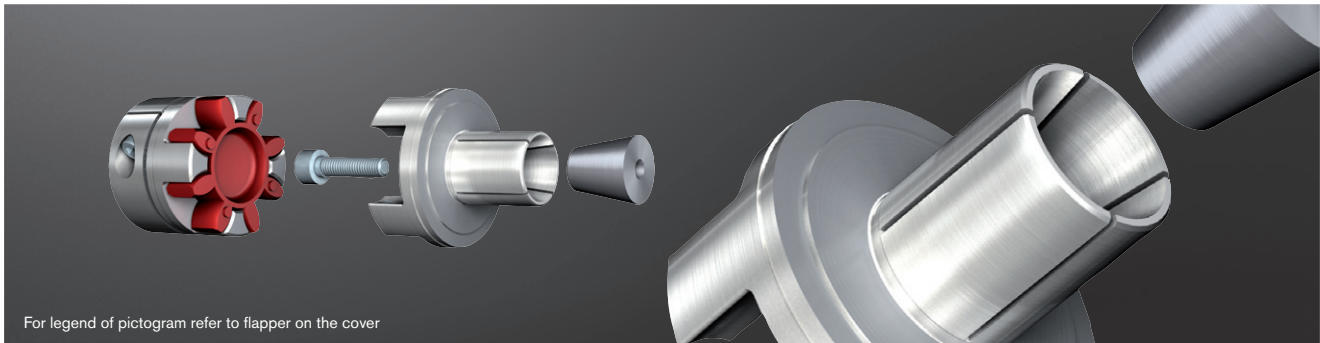


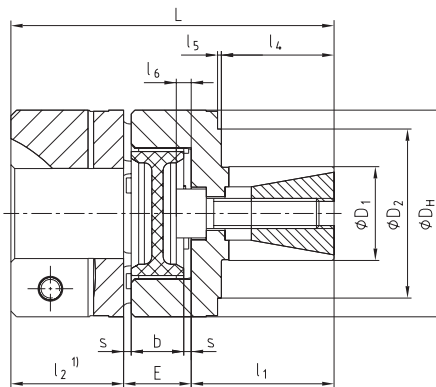
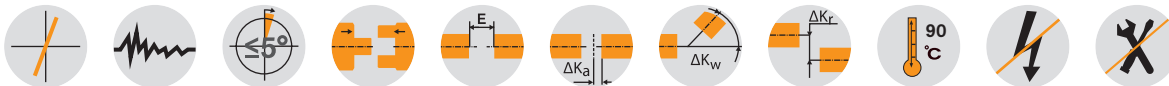
ROTEX® GS expansion hubs

Backlash-free jaw couplings

Clamping system for hollow shaft connection



For legend of pictogram refer to flapper on the cover



ROTEX® GS expansion hub - Expansion hub material aluminium/clamp pin material stainless steel

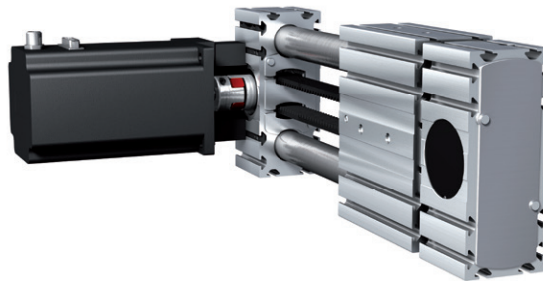
| Size | Spider GS ²⁾ torque T _{KN} [Nm] | | | | | Dimensions [mm] | | | | | | | | | | | | Friction torque ³⁾ [Nm] |
|------|---|--------|--------|--------|--------|------------------|----|----------------|------------------|----|------------------|------------------|----|------|----|----|-----|------------------------------------|
| | 80 ShA | 92 ShA | 98 ShA | 64 ShD | 72 ShD | D1 ²⁾ | D2 | D _H | l1 ²⁾ | l2 | l4 ²⁾ | l5 ²⁾ | l6 | L | E | b | s | |
| 9 | 1.8 | 3.0 | 5.0 | 6.0 | - | 10 | - | 20 | 20 | 10 | 11 | - | 0 | 40 | 10 | 8 | 1.0 | 6.4 |
| 12 | 3.0 | 5.0 | 9.0 | 12.0 | - | 10 | 20 | 25 | 19 | 11 | 14 | 1.5 | 2 | 42 | 12 | 10 | 1.0 | 7.7 |
| 14 | 4.0 | 7.5 | 12.5 | 16.0 | - | 12 | 24 | 30 | 18.5 | 11 | 12.5 | 3 | 2 | 42.5 | 13 | 10 | 1.5 | 7.7 |
| 19 | 6.0 | 12.0 | 21.0 | 26.0 | - | 20 | 35 | 40 | 28 | 25 | 20 | 1 | 0 | 69 | 16 | 12 | 2.0 | 35.7 |
| 24 | - | 35 | 60 | 75 | 97 | 25 | 45 | 55 | 38 | 30 | 30 | 1 | 4 | 86 | 18 | 14 | 2.0 | 82.0 |
| 28 | - | 95 | 160 | 200 | 260 | 35 | 55 | 65 | 44 | 35 | 36 | 1 | 5 | 99 | 20 | 15 | 2.5 | 182.0 |

¹⁾ For selections see page 22 et seq./other spiders see page 127.

²⁾ Example: Other dimensions on customers' request.

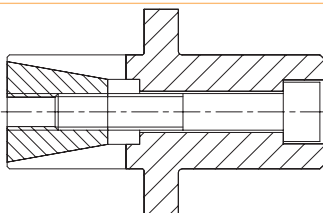
³⁾ The friction torque applies for the figures D₁, l₁, l₄ and l₅ specified and a hollow shaft material steel.

ROTEX® GS expansion hub for axis of belt

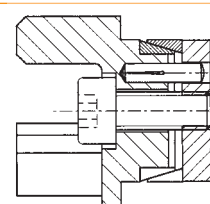


Special types for hollow shaft connections

Shaft extension



ROTEX® GS hub with CLAMPEX® KTR 150



Ordering example:

| | | | | | | |
|---------------|-----------------|--------------------------|-----------|-------------|-----------|-------------|
| ROTEX® GS 24 | 98 ShA-GS | d 20 | 9.0 - Ø24 | | 2.5 - Ø20 | |
| Coupling size | Spider hardness | Optional: Bore in spider | Hub type | Finish bore | Hub type | Finish bore |