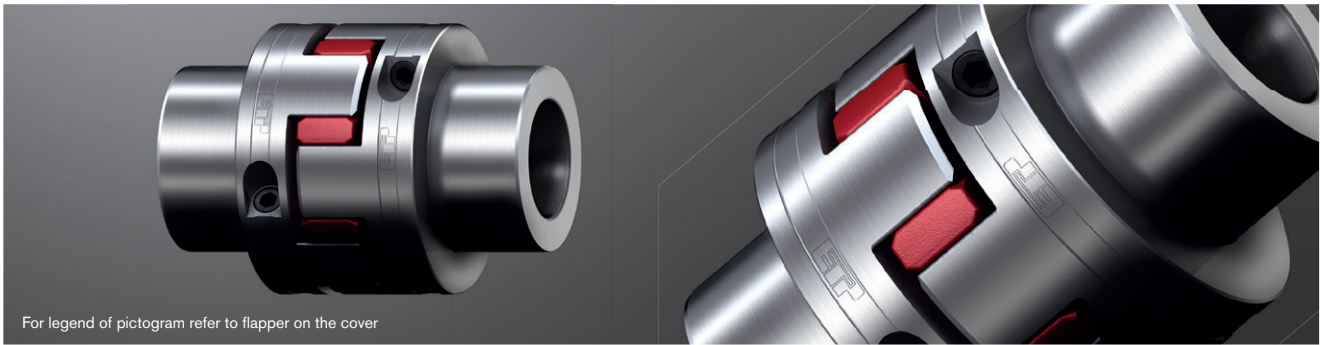


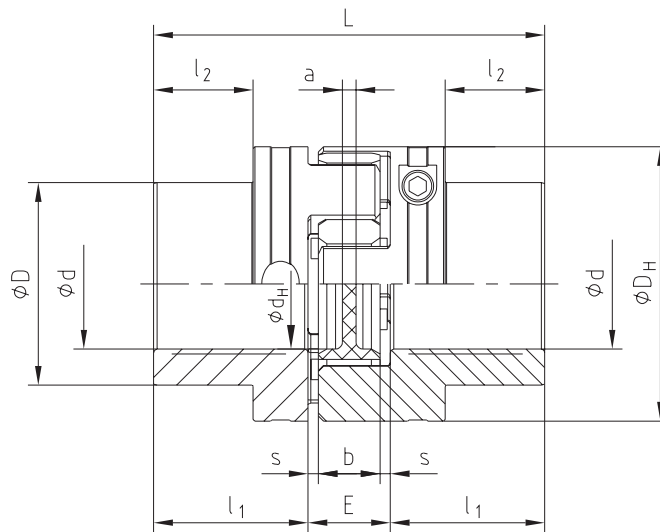
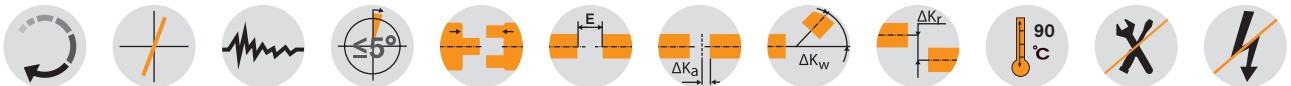
ROTEX® GS P ETP®

Backlash-free jaw couplings

Integrated hydraulic clamping system



For legend of pictogram refer to flapper on the cover



ROTEX® GS P ETP®																	
Size	Spider GS ¹⁾ torque T _{KN} [Nm]			Dimensions [mm]											Screw		Weight per hub with max. bore [kg]
	92 ShA	98 ShA	64 ShD	d _{max.}	D _H ²⁾	d _H	L	l ₁	l ₂	E	b	s	a	M	T _A [Nm]		
24	35	60	75	24	55	27	78	30	16	18	14	2	3	M6	5	0.33	
28	95	160	200	32	65	30	90	35	20	20	15	2.5	4	M6	5	0.53	
38	190	325	405	40	80	38	114	45	29	24	18	3	4	M6	5	0.98	
42	265	450	560	48	95	46	126	50	34	26	20	3.5	4	M6	5	1.51	

¹⁾ For selections see page 22 et seqq./other spiders see page 127.

²⁾ ØD_H + 2 mm with high speeds for expansion of spider

Review of shaft-hub-connection: Friction torques T _R [Nm] for hub type ROTEX® GS P ETP®																	
Size	Tolerance fit	Bore diameter d/collar diameter D															
		Ø15/ Ø24	Ø16/ Ø26	Ø19/ Ø30	Ø20/ Ø32	Ø24/ Ø39	Ø25/ Ø40	Ø28/ Ø44	Ø30/ Ø47	Ø32/ Ø50	Ø35/ Ø55	Ø38/ Ø59	Ø40/ Ø62	Ø42/ Ø65	Ø45/ Ø70	Ø48/ Ø74	
24	F6/h6	42	50	70	80	125											
28		50	60	80	95	150	160	210	230	250							
38						220	230	310	350	380	450	570	610				
42							270	360	410	440	540	660	730	820	940	1100	

ETP® is a registered trademark by ETP® Transmission AB.

Ordering example:	ROTEX® GS P ETP® 24	98 ShA-GS	d 20	Ø24	Ø20
	Coupling size	Spider hardness	Optional: Bore in spider	Finish bore	Finish bore