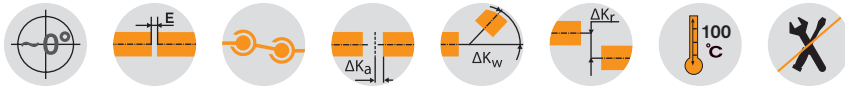


BoWex® SG, SSR and Spec.-I/CD Curved-tooth gear coupling®

Type with dust protection

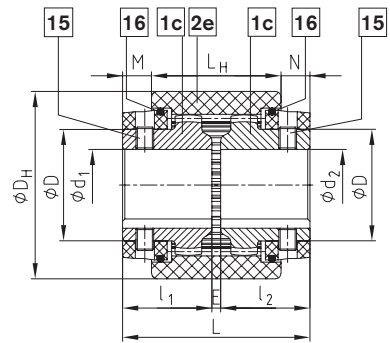


For legend of pictogram please refer to flapper on the cover

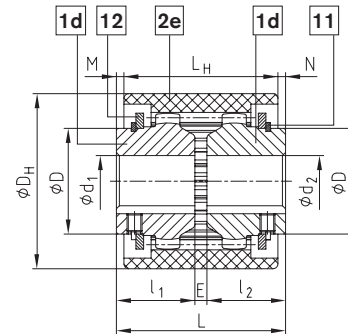


BoWex® Type SG with dust protection circlips												
Size	Pilot bore		Finish bore		Dimensions [mm]							
	Unbored	Pilot bored	Min.	Max.	l_1, l_2	E	L	L_H	M, N	D	D_H	Hub length. max. l_1, l_2
24 SG	x	-	10	24	36	4	76	51	12.5	36	58	50
28 SG	x	-	10	28	40	4	84	56	14	44	70	55
32 SG	x	-	12	32	40	4	84	58	13	50	84	55
45 SG	x	-	20	45	42	4	88	60	14	65	100	60
65 SG	-	21	30	65	70	4	144	84	30	96	140	-
80 SG	-	31	35	90	90	6	186	93	46.5	122	175	-
100 SG	-	38	40	100	110	8	228	102	63	150	210	-
125 SG	-	45	50	125	140	10	290	134	78	190	270	-

Setscrews with finish bored hubs only.

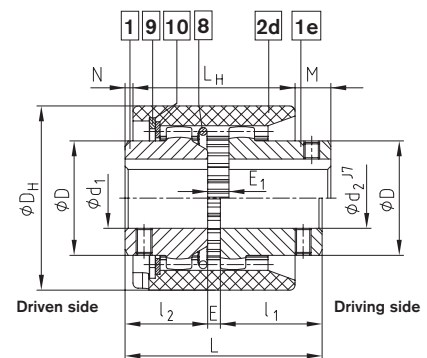


BoWex® Type SSR with Seeger circlips												
Size	Pilot bore		Finish bore		Dimensions [mm]							
	Unbored	Pilot bored	Min.	Max.	l_1, l_2	E	L	L_H	M, N	D	D_H	Hub length. max. l_1, l_2
24 SSR	x	-	10	22	26	4	56	51	2.5	35	58	50
28 SSR	x	-	10	26	40	4	84	56	14	42	70	55
32 SSR	x	-	12	30	40	4	84	58	13	48	84	55
45 SSR	x	-	20	42	42	4	88	60	14	63	100	60
65 SSR	-	21	30	65	55	4	114	84	15	95	140	70
80 SSR	-	31	35	90	90	6	186	93	46.5	120	175	-
100 SSR	-	38	40	100	110	8	228	102	63	150	210	-
125 SSR	-	45	50	125	140	10	290	134	78	190	270	-



BoWex® Type Spec.-I/CD															
Size	Pilot bore		Finish bore		Dimensions [mm]										
	Un-bored	Pilot bored	Min.	Max.	L	L_1	L_H	E	E_1	l_2	l_1	D_H	D	M	N
24 CD	x	-	10	24	70	73.5	51	4	9.0	26	40	58	36	20	2.5
28 CD	x	-	10	28	94.5	98	56	4	8.5	40	50.5	70	44	28	14
32 CD	x	-	12	32	94.5	-	58	4	8.5	40	50.5	84	50	27	13
45 CD	x	-	20	45	101.5	-	60	4	8.5	42	55.5	100	65	32	14
65 CD	-	21	30	65	123	-	84	4	10	55	64	140	96	28.5	15
80 CD	-	31	35	90	179	-	93	6	13	90	83	178	124	44	46.5

Please order dimension sheet for type Spec.-I/CDB with safety pins.
For performance data see page 90.



Ordering example:

BoWex® 45 SG	$d_1 \text{ } \varnothing 22$	$d_2 \text{ } \varnothing 40$
Size and type of coupling SG, SSR or Spec.-I/CD	Finish bore H7 keyway to DIN 6885 sheet 1 (JS9)	Finish bore H7 keyway to DIN 6885 sheet 1 (JS9)