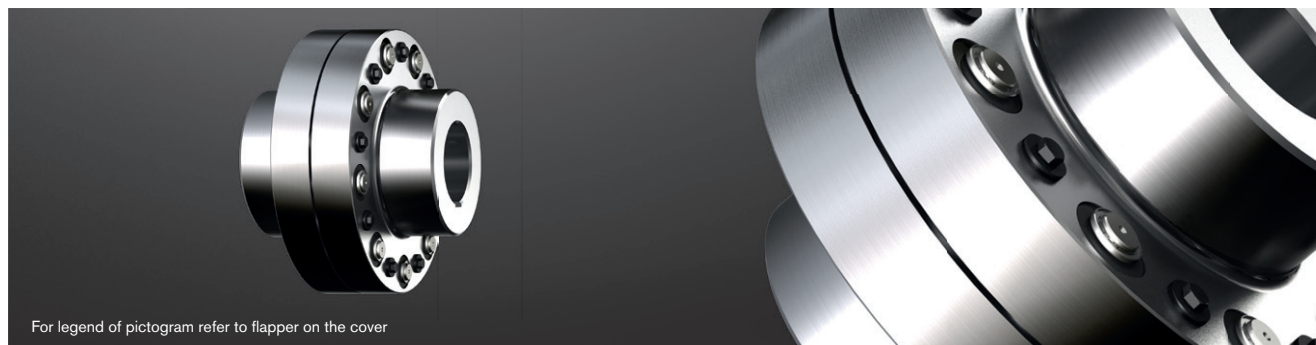


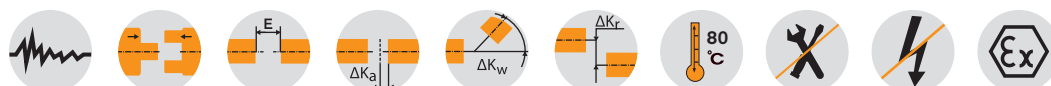
REVOLEX® KX-D

Flexible pin & bush coupling

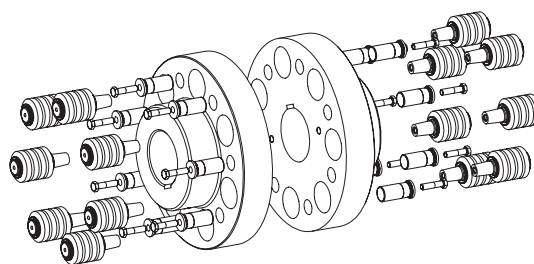
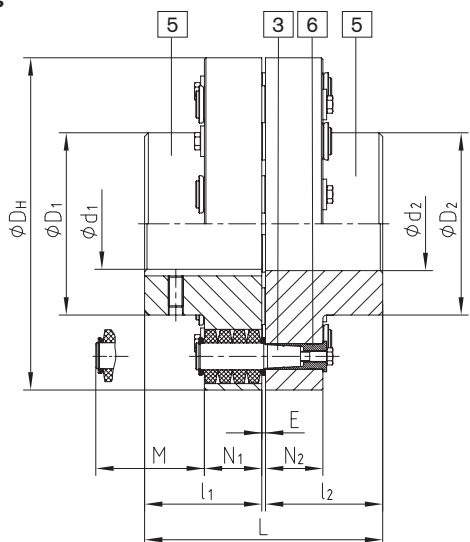
Material steel



For legend of pictogram refer to flapper on the cover



Components



Components of type KX-D:
5 = Hub part 5
3 = Pins complete
6 = KX-D sleeve (hardened and corrosion-protected)

REVOLEX® Type KX-D													
Size	Torque ¹⁾ [Nm]		Max. speed ²⁾ [rpm]	Finish bore (min. - max.)	Dimensions [mm]							Mass moment of inertia ³⁾ [kgm ²]	Weight ³⁾ [kg]
	T _{KN}	T _{K max}			L	l ₁ , l ₂	E	D _H	D ₁ , D ₂	N ₁ , N ₂	M*		
KX-D 75	4300	8600	4500	0-100	193	95	3	255	136	56	76	0.325	39
KX-D 85	5500	11000	4175	0-110	213	105	3	274	152	56	76	0.440	46
KX-D 95	7200	14400	3825	0-125	227	112	3	298	168	56	76	0.624	56
KX-D 105	9400	18800	3475	0-130	237	117	3	330	180	56	76	0.907	80
KX-D 120	15200	30400	3100	0-150	270	132	6	370	206	76	100	1.867	124
KX-D 135	20000	40000	2725	75-170	300	147	6	419	230	76	100	3.144	165
KX-D 150	25000	50000	2500	85-190	336	165	6	457	256	76	100	4.573	205
KX-D 170	41000	82000	2150	95-220	382	188	6	533	292	92	130	10.259	322
KX-D 190	54000	108000	1900	110-245	428	211	6	597	330	92	130	16.601	431
KX-D 215	67500	135000	1725	125-275	480	237	6	660	368	92	130	25.495	559
KX-D 240	98000	196000	1550	140-310	534	264	6	737	407	122	170	50.147	833
KX-D 265	134000	268000	1375	160-350	590	292	6	826	457	122	170	80.796	1099
KX-D 280	170000	340000	1225	180-385	628	311	6	927	508	122	170	129.979	1436
KX-D 305	205000	410000	1150	180-405	654	324	6	991	533	122	170	170.016	1669
KX-D 330	265000	530000	1075	200-435	666	330	6	1067	572	122	170	227.451	1954
KX-D 355	350000	700000	975	225-450	721	356	9	1156	610	164	220	415.259	2451
KX-D 370	430000	860000	900	225-530	773	382	9	1250	720	164	220	584.686	2925
KX-D 470	520000	1040000	855	240-520 ⁴⁾	969 ⁴⁾	480 ⁴⁾	9	1340	705 ⁴⁾	164	220	785.489	3631
KX-D 520	810000	1620000	760	240-520 ⁴⁾	1089 ⁴⁾	540 ⁴⁾	9	1540	780 ⁴⁾	164	220	1264.725	5155
KX-D 590	1000000	2000000	680	260-590 ⁴⁾	1212 ⁴⁾	600 ⁴⁾	12	1735	885 ⁴⁾	164	220	2081.885	6895
KX-D 650	1350000	2700000	610	280-650 ⁴⁾	1332 ⁴⁾	660 ⁴⁾	12	1935	975 ⁴⁾	164	220	3228.297	8893

¹⁾ Drop-out center design dimension required ²⁾ Standard material Perbunan [NBR] 80 Shore A, for selection see page 18 et seq.

³⁾ Higher speeds on request. ⁴⁾ Referring to max. bore ⁵⁾ Variable according to customer's requests

Finish bore according to ISO fit H7, feather keyway according to DIN 6885, sheet 1 [JS9]. If requested, coupling is dynamically balanced (semi-key balancing G 6.3 with speed as specified by the customer). For circumferential speeds exceeding v = 30 m/s dyn. balancing is recommended.

■ = Pilot bored available from stock

Ordering example:	REVOLEX® KX-D 170	steel	Ø120	Ø150
	Type and size of coupling	Material	Finish bore	Finish bore