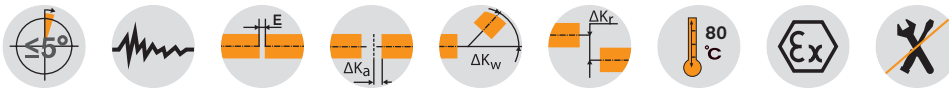
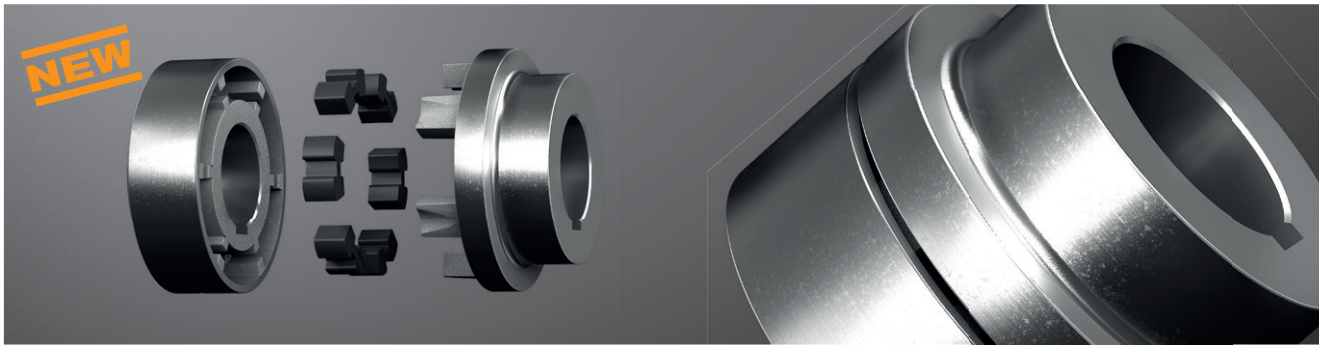


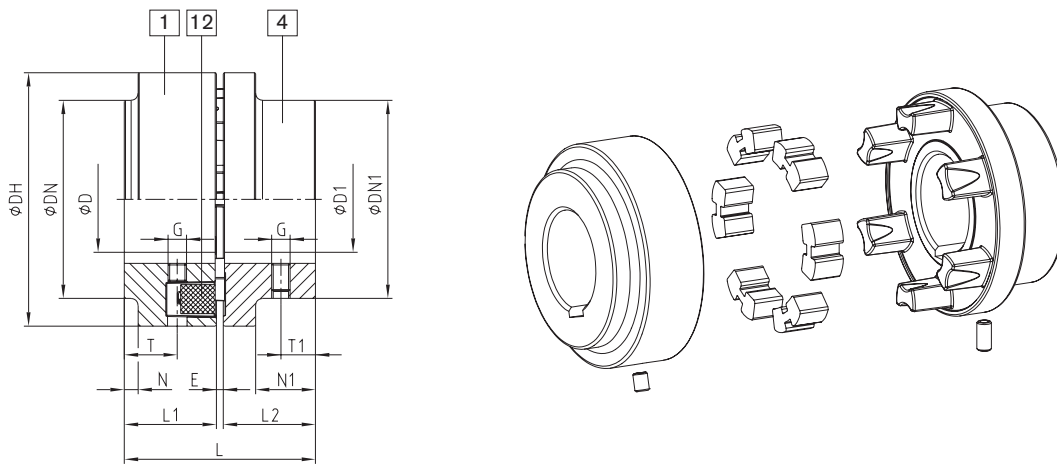
ROFLEX® N

Flexible jaw couplings

Two-part



Components



ROFLEX® type N																				
Size	Torque		Max. speed [rpm]	Dimensions														Mass moment of inertia J1 [kgm ²] ¹⁾	Mass moment of inertia J4 [kgm ²] ¹⁾	Weight [kg] ¹⁾
	TKN [Nm]	TK max [Nm]		Max. finish bore		General								Thread for setscrews						
				D	D1	L	L1, L2	E	DH	DN	DN1	N	N1	G	T	T1	TA [Nm]			
68	65	180	8500	28	38	43	20	3	68	-	-	-	-	M5	8.5	8	2	0.00016	0.00029	0.6
80	80	220	7500	35	45	63	30	3	80	-	68	-	20	M8	20.5	12	10	0.00059	0.00055	1.2
95	125	345	6800	45	48	73	35	3	95	76	76	5	23	M8	22	15	10	0.00116	0.00120	1.9
110	205	565	6500	50	55	83	40	3	110	86	86	6	26	M8	24	18	10	0.0024	0.0024	2.9
125	315	865	5800	60	65	103	50	3	125	100	100	14	32	M8	32	20	10	0.0046	0.0052	4.5
140	450	1240	5400	70	65	113	55	3	140	100	100	21	35	M10	13	22	17	0.0062	0.0077	5.3
160	790	2170	4800	75	70	124	60	4	160	108	108	21	40	M10	13	25	17	0.014	0.013	8.1
180	1150	3160	4350	85	80	144	70	4	180	125	125	28	50	M10	16	32	17	0.021	0.023	11.0
200	1800	4950	3950	90	90	164	80	4	200	140	140	33	56	M12	20	40	40	0.038	0.044	16.3
225	2100	5775	3600	100	100	184	90	4	225	150	150	38	72	M12	22	40	40	0.06	0.06	20.4
250	3550	9765	3000	110	110	205.5	100	5.5	250	165	165	40	82	M16	24	45	80	0.11	0.10	28.2
280	5000	13750	3000	120	120	225.5	110	5.5	280	180	180	45	90	M16	28	45	80	0.19	0.16	38.1

¹⁾ Mass moments of inertia J1 and J4 as well as the total weight refer to the maximum bore diameters

Ordering example:	ROFLEX® 110	N	ØD = 50	ØD1 = 55
	Coupling size	Type	Finish bore	Finish bore

ROTEX®
 Flexible jaw and pin & bush couplings
 ROFLEX®
 POLY-NORM®
 POLY
 REVOLEX®