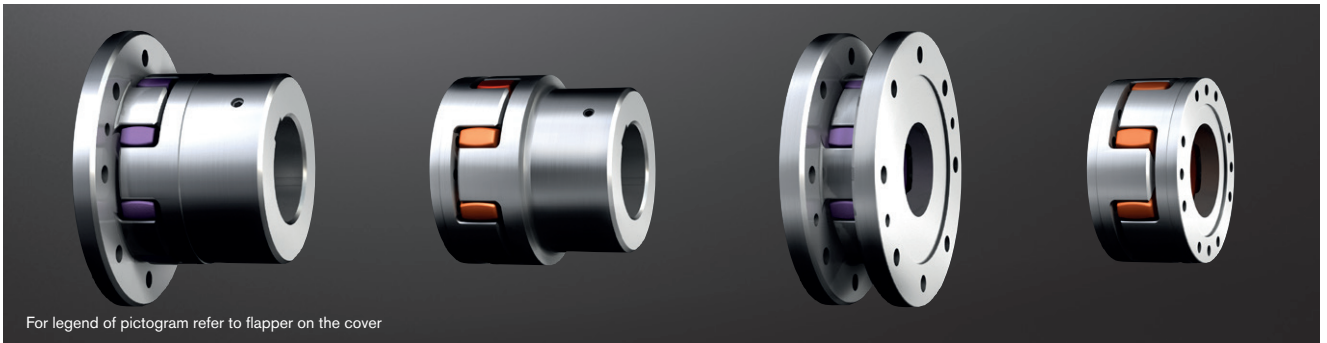


ROTEX® CF, CFN, DF and DFN Flexible jaw couplings

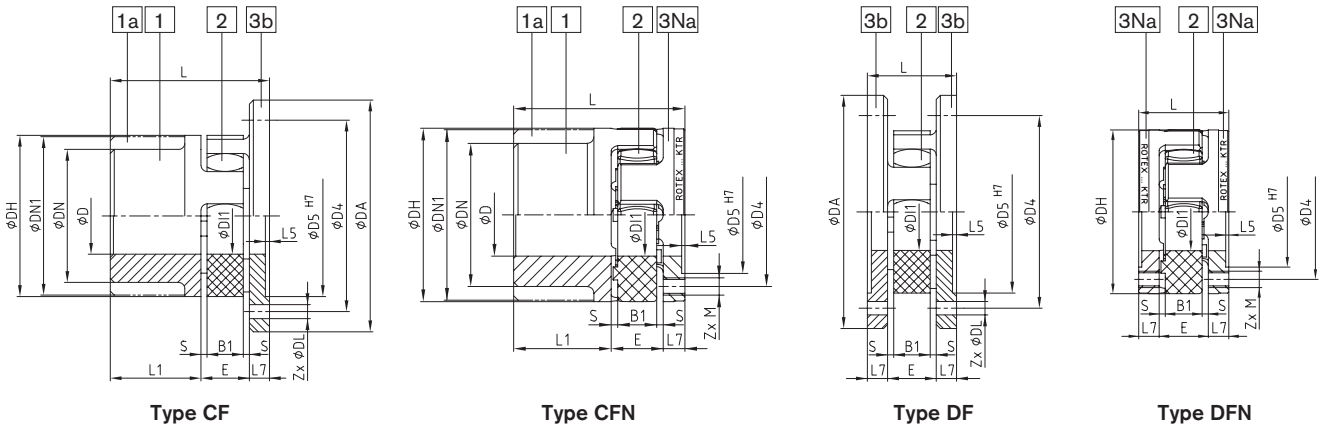
Flange programme



For legend of pictogram refer to flapper on the cover



Components



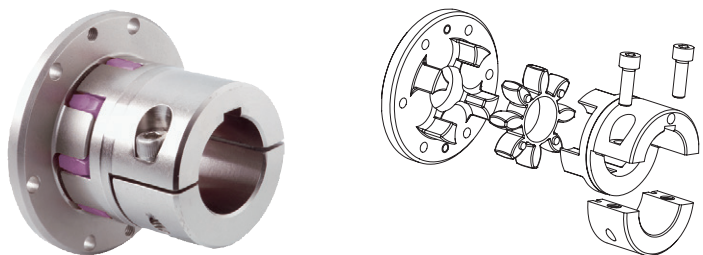
ROTEX® Type CF, CFN and DF, DFN																							
Size	D, DN, DN1	Dimensions general [mm]							Dimensions CF and DF [mm]							Dimensions CFN and DFN [mm]							
		DH	DI1	L1	E	B1	S	L5	L7	DA	D4	D5	Z	DL	L		D4	D5	M	Z	pitch	L	
														CF	DF							CFN	DFN
24		55	27	30	18	14	2.0	1.5	8	80	65	55	5	4.5	56	34	45	36	M5	8		56	34
28		65	30	35	20	15	2.5	1.5	10	100	80	65	6	6.6	65	40	54	44	M6	8	8x45°	65	40
38		80	38	45	24	18	3.0	1.5	10	115	95	80	6	6.6	79	44	66	54	M8	8		79	44
42		95	46	50	26	20	3.0	2.0	12	140	115	95	6	9.0	88	50	80	65	M8	12		88	50
48		105	51	56	28	21	3.5	2.0	12	150	125	105	8	9.0	96	52	90	75	M8	12	16x22.5°	96	52
55		120	60	65	30	22	4.0	2.0	16	175	145	120	8	11.0	111	62	102	84	M10	8	8x45°	111	62
65		135	68	75	35	26	4.5	2.0	16	190	160	135	10	11.0	126	67	116	96	M10	12	16x22.5°	126	67
75		160	80	85	40	30	5.0	2.5	19	215	185	160	10	13.5	144	78	136	112	M12	15		144	78
90		200	100	100	45	34	5.5	3.0	20	260	225	200	12	13.5	165	85	172	145	M16	15		165	85
100		225	113	110	50	38	6.0	4.0	25	285	250	225	12	13.5	185	100	195	165	M16	15		185	100
110		255	127	120	55	42	6.5	4.0	26	330	290	255	12	17.5	201	107	218	180	M20	15	20x18°	201	107
125		290	147	140	60	46	7.0	5.0	30	370	325	290	16	17.5	230	120	252	215	M20	15		230	120
140		320	165	155	65	50	7.5	5.0	34	410	360	320	16	22.0	254	133	282	245	M20	15		254	133
160		370	190	175	75	57	9.0	5.0	38	460	410	370	16	22.0	288	151	325	280	M24	15		288	151
180		420	220	195	85	64	10.5	5.5	40	520	465	420	16	26.0	320	165	375	330	M24	18	24x15°	320	165

For other flange programmes see page 45.

Other types: ROTEX® CF-H

Flange drop-out center design coupling

Please order our separate dimension sheet (M412069).



Ordering example:	ROTEX® 38	CF	92 ShA	1	GJL	Ø20
	Coupling size	Type	Spider hardness	Hub side, component	Material	Finish bore