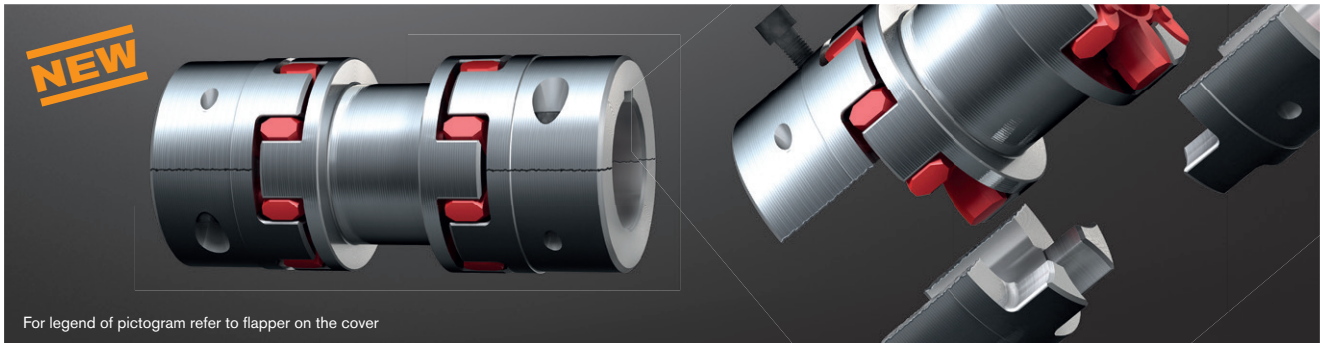


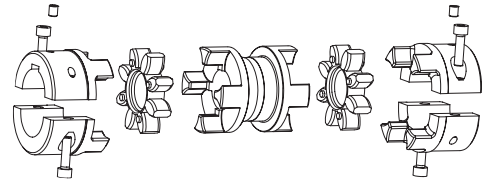
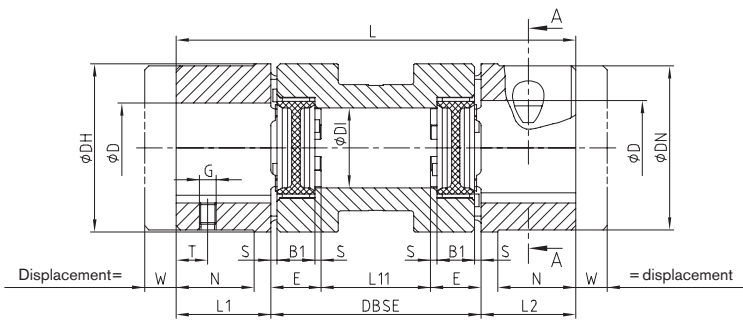
ROTEX® ZS-DKM-SH

Flexible jaw couplings

Double-cardanic shaft coupling with SPLIT hubs



For legend of pictogram refer to flapper on the cover



ROTEX® type ZS-DKM-SH																							
Size ³⁾	Spider 98 ShA-GS TKN [Nm] ¹⁾²⁾	Drop-out center length DBSE	Dimensions [mm]														Screws DIN EN ISO 4762		Max. displacements				
			Finish bore D		DH	DN	DK	DI	L1, L2	L11	E	B1	S	L	G	W	MxLM	TA [Nm]	Axial [mm]	with n = 1500 rpm		with n = 3000 rpm	
			min.	Max.																Radial [mm]	Angular [°]	Radial [mm]	Angular [°]
19	10	42 ³⁾	0	24	40	-	-	18	25	10	16	12	2.0	92	-	-	-	1.2	0.45	-	-	-	
		52 ³⁾								112									0.59	-	-		
24	35	100	0	28	55	-	57.5	27	30	64	18	14	2.0	160	M5	12	M6x20	14	1.4	1.43	1.07	-	-
		140								200										2.13	1.60	-	
28	95	58 ³⁾	0	38	65	-	73	30	35	18	20	15	2.5	170	M8	12	M8x25	34	1.5	0.66	-	-	-
		140								210										1.40	1.05	1.57	
38	190	100	24	45	80	78	83.5	38	45	20	24	18	3.0	190	M8	15	M8x30	34	1.8	0.77	0.99	-	-
		140								230										1.33	1.52	-	
42	265	74 ³⁾	24	55	95	94	97	46	50	22	26	20	3.0	200	M8	15	M10x35	67	2.0	0.84	-	-	-
		140								240										1.29	0.97	1.49	
48	310	80 ³⁾	24	60	105	104	108.5	51	56	24	28	21	3.5	212	M8	15	M12x40	115	2.1	0.91	-	-	-
		140								192										1.26	0.94	-	
55	410	88 ³⁾	24	70	120	118	122	60	65	28	30	22	4.0	270	M10	15	M12x45	115	2.2	1.95	1.47	0.75	-
		100								218										1.01	-	-	
65	625	100	24	80	135	135 ³⁾	132.5 ³⁾	68	75	40	35	26	4.5	290	M10	15	M12x40	115	2.6	1.22	0.92	-	-
		140								230										1.83	1.37	1.90	
75	1280	116 ³⁾	40	90	160	160 ³⁾	158 ³⁾	80	85	36	40	30	5.0	350	M10	20	M16x50	290	3.0	2.53	1.31	-	-
		140								310										1.33	1.75	1.83	
90	2400	180	40	110	200	200 ³⁾	197 ³⁾	100	100	60	45	34	5.5	380	M12	30	M20x60	560	3.4	2.44	1.83	-	-
		200								370										2.79	2.09	2.75	
		250								170				420					3.67	2.75	-	-	
		130 ³⁾								40									1.48	-	-		
		250								90				450					2.36	1.76	2.68	3.58	

¹⁾ Maximum torque of coupling $T_{K \max}$ = rated torque of coupling $T_{KN} \times 2$
²⁾ Mathematically transmittable torque with double-cardanic types acc. to 92 ShA-GS using the higher quality spiders 98 ShA-GS
³⁾ ROTEX®-SPLIT hub material sizes 24 and 28 = sintered steel; hub material sizes 38 to 90 = EN-GJL
⁴⁾ Hub type 7.1 = SPLIT hub with feather keyway and thread for setscrews
⁵⁾ Material spacer Al-H
⁶⁾ $\varnothing DN$ and $\varnothing DK$ depending on finish bore $\varnothing D$, see page 47

The max. permissible circumferential speed for double-cardanic ROTEX® DKM and ZS-DKM-SH coupling is 20m/s, with higher speeds please consult with KTR. Spiders ROTEX® 98 ShA-GS and 64 ShD-GS applicable, while the transmittable torque $[T_{KN}; T_{Kmax}]$ of the 92 ShA-GS spider must not be exceeded.

Ordering example:	ROTEX® 38	ZS-DKM-SH	140	98 ShA-GS	7.1 ⁴⁾	$\varnothing 38$	7.1 ⁴⁾	$\varnothing 30$
	Coupling size	Type	Shaft distance dimension DBSE	Spider hardness	Hub type	Finish bore	Hub type	Finish bore