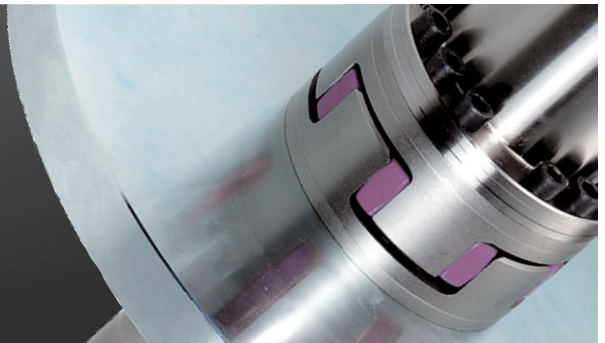
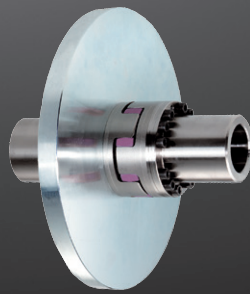


ROTEX® AFN-SB special Flexible jaw couplings

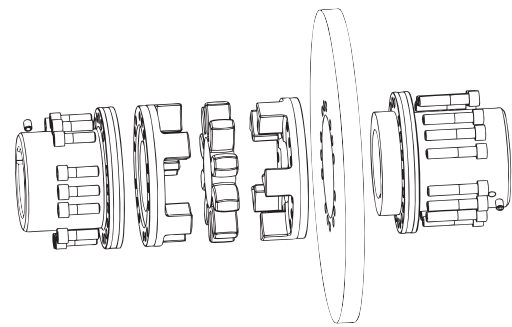
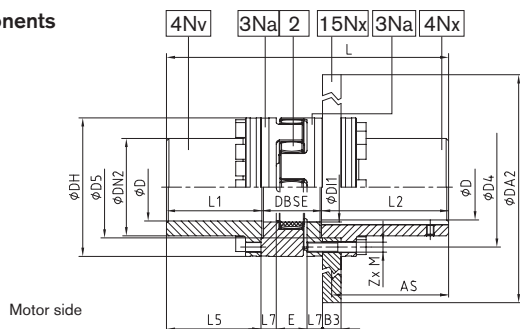
Drop-out center design coupling with brake disk



For legend of pictogram refer to flapper on the cover



Components



ROTEX® Type AFN-SB special													
Size	Finish bore D		Dimensions [mm]										
	min.	Max.	DH	DN2	D4	D5 H7/h7	D11	DBSE	E	M	Z	pitch	T _A [Nm]
65	22	70	135	94	116	96	68	65	35	M10	12	16x22.5°	83
75	30	80	160	108	136	112	80	75	40	M12	15		120
90	40	105	200	142	172	145	100	82	45	M16	15		295
100	46	115	225	158	195	165	113	97	50	M16	15		295
110	60	130	255	178	218	180	127	103	55	M20	15	20x18°	580
125	60	150	290	206	252	215	147	116	60	M20	15		580
140	60	170	320	235	282	245	165	128	65	M20	15		580
160	80	200	370	270	325	280	190	146	75	M24	15		1000
180	85	230	420	315	375	330	220	159	85	M24	18	24x15°	1000

ROTEX® Type AFN-SB special											
Size	Torque with 98 ShA ¹⁾		Max. speed [rpm]	Max. braking torque ²⁾ [Nm]	Dimensions [mm]						
	T _{KN}	T _{K max}			L1	L2	L5	L7	AS	L	
65	940	1880	3450	1880	113.5	166.0	112.5	16	150	344.5	
75	1920	3840	3250	3840	133.0	166.5	131.5	19	150	374.5	
90	3600	7200	3000	7200	165.5	206.5	164.0	20	190	454.0	
100	4950	9900	2800	9900	155.0	206.5	153.5	25	190	458.5	
110	7200	14400	2600	14400	203.5	212.0	201.5	26	195	518.5	
125	10000	20000	2250	20000	200.5	212.0	198.5	30	195	528.5	
140	12800	25600	1800	25600	247.0	252.5	244.5	34	235	627.5	
									230 ³⁾		
160	19200	38400	1500	38400	229.0	252.5	226.5	38	235	627.5	
									230 ³⁾		
180	28000	56000	1350	56000	198.0	252.5	195.0	40	235	609.5	

ROTEX® Selection of coupling/brake disk											
Size	Brake disk ØDA2 x B3										
	355x30	400x30	450x30	500x30	560x30	630x30	710x30	800x30	900x30	900x40	1000x40
65	x	x	x								
75		x	x	x							
90			x	x	x	x					
100				x	x	x					
110				x	x	x	x				
125						x	x	x			
140							x	x	x	x	x
160							x	x	x	x	x
180							x	x	x	x	x

¹⁾ For selection see page 14 et seqq. ²⁾ The maximum braking torque must not exceed the maximum torque of the coupling. ³⁾ Dimensions with a width of brake disk B3 of 40 mm.

Ordering example:	ROTEX® 90	AFN-SB special	Ø450x30	98 ShA	4Nv	Ø90	4Nx	Ø90
	Coupling size	Type	Brake disk Ø x width	Spider hardness	Component	Finish bore	Component	Finish bore