

**JUMO GmbH & Co. KG**  
 Delivery address: Mackenrodtstraße 14  
 36039 Fulda, Germany  
 Postal address: 36035 Fulda, Germany  
 Phone: +49 661 6003-0  
 Fax: +49 661 6003-607  
 Email: mail@jumo.net  
 Internet: www.jumo.net

**JUMO Instrument Co. Ltd.**  
 JUMO House  
 Temple Bank, Riverway  
 Harlow, Essex, CM20 2DY, UK  
 Phone: +44 1279 63 55 33  
 Fax: +44 1279 62 50 29  
 Email: sales@jumo.co.uk  
 Internet: www.jumo.co.uk

**JUMO Process Control, Inc.**  
 6724 Joy Road  
 East Syracuse, NY 13057, USA  
 Phone: +1 315 437 5866  
 Fax: +1 315 437 5860  
 Email: info.us@jumo.net  
 Internet: www.jumousa.com



# Router module 3-port

## 705042

### Brief description

The router module 3-port (705042) is a system component of the JUMO variTRON automation system.

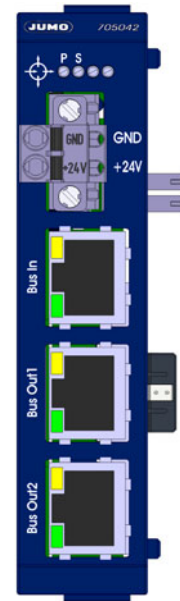
The router module 3-port is the first module to be mounted on a separate DIN rail and provides a system bus input and 2 outputs on the front. In conjunction with a router module 2-port (705041) and, if necessary, additional router modules 3-port, the input/output modules of the automation system can be distributed over several DIN rails or control cabinets.

The maximum distance between 2 router modules is 100 m. A maximum of 30 router modules (705041/42) and more than 30 input/output modules (depending on the module) can be used in a system.

LEDs are used to indicate the voltage supply and the operating status of the module. The electrical connection of the voltage supply for the router module is made on the front via a removable terminal strip.

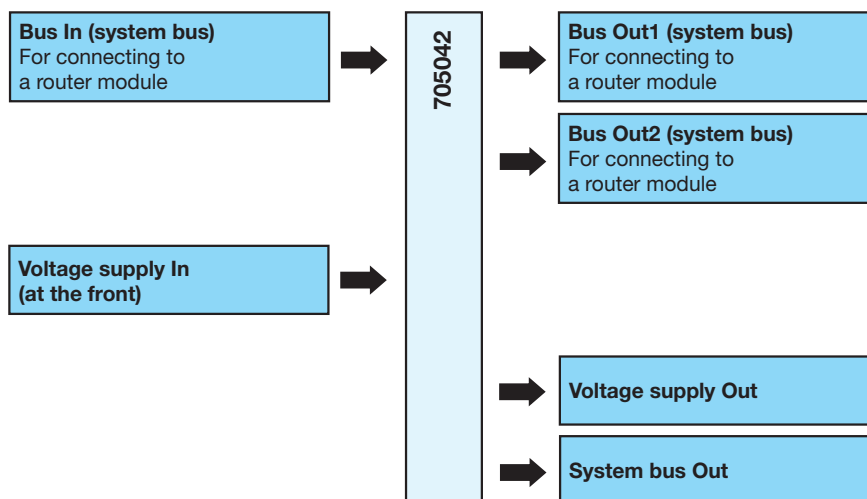
Configuration of the router module 3-port is not required. It is integrated into the automation system by a setup program.

For service purposes the module insert can be easily pulled out of the case at the front. The case, including the bus board, remains mounted on the DIN rail.



Type 705042

### Block diagram



### Features

- Compatible with JUMO variTRON as of system version 3
- Decentralized module assignment supported
- First module on an additional DIN rail for connecting further modules
- System bus expansion via RJ45 sockets on the front (1 × Bus In, 2 × Bus Out)
- Galvanic isolation of the system bus connections
- Supply of operating voltage
- Quick wiring of operating voltage and system bus provided by simple module connection principle

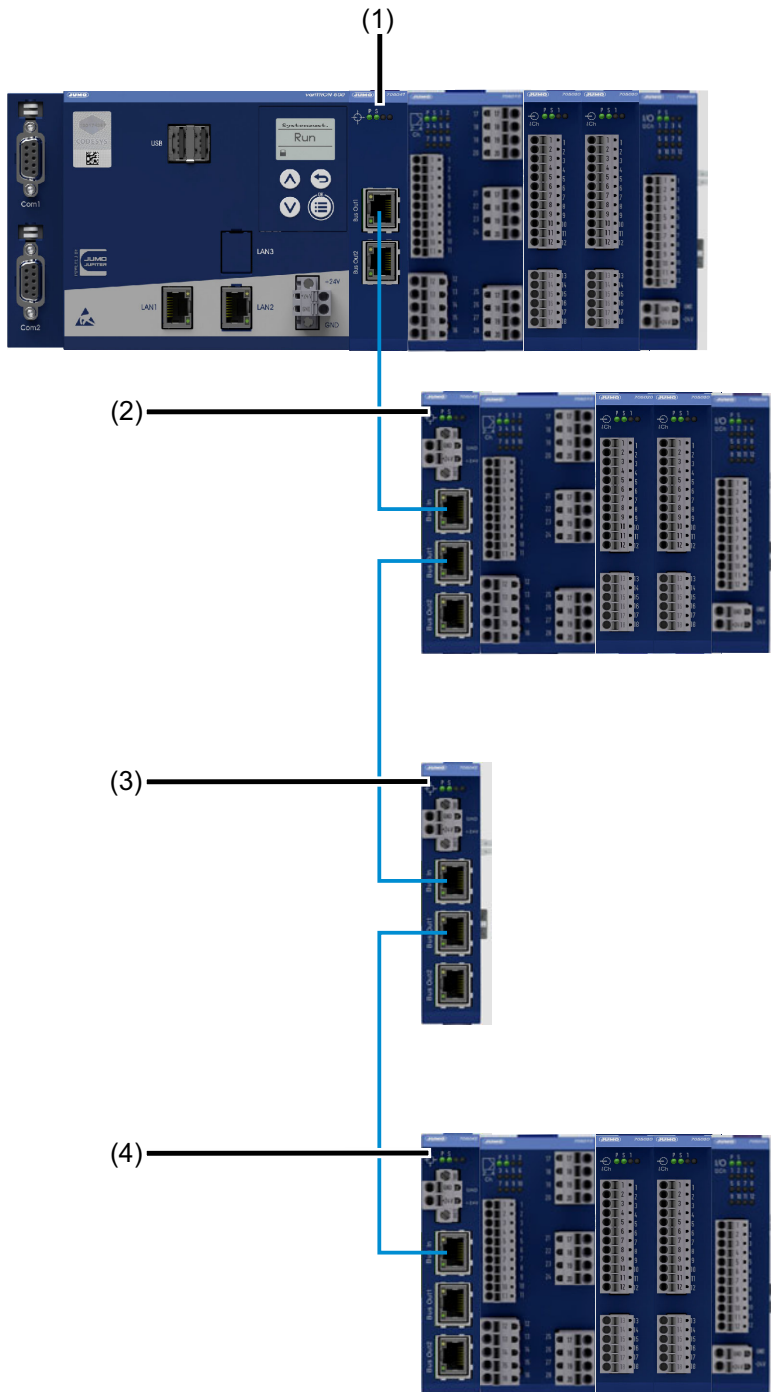
### Approvals and approval marks (see technical data)





# Description

## Connection example



- (1) Router module 2-port (705041), attached to JUMO variTRON 500 central processing unit (705002)
- (2) Router module 3-port (705042) with downstream modules
- (3) Router module 3-port (705042) to increase the range
- (4) Router module 3-port (705042) with downstream modules

The router module 2-port (705041) is primarily used on the same DIN rail as the variTRON 500 central processing unit (705002) and enables system bus networking with standard network cables (CAT5, S/FTP). The position of the router module 2-port on the DIN rail is freely selectable.

The router module 3-port (705042) or the router module 1-port (705043) is always used as the first module on a separate DIN rail and is designed for system expansion with additional modules. Both router modules can also be used to increase the system bus range.

The router module 2-port can also be used together with the router module 1-port or the router module 3-port for system expansion.

System bus interconnection is only possible with the router modules of the JUMO variTRON system (closed system); conventional Ethernet switch technology cannot be used.

In the illustrated connection example, the voltage supply of the central processing unit and the modules is not shown (terminals +24 V and GND).

**JUMO GmbH & Co. KG**  
 Delivery address: Mackenrodtstraße 14  
 36039 Fulda, Germany  
 Postal address: 36035 Fulda, Germany  
 Phone: +49 661 6003-0  
 Fax: +49 661 6003-607  
 Email: mail@jumo.net  
 Internet: www.jumo.net

**JUMO Instrument Co. Ltd.**  
 JUMO House  
 Temple Bank, Riverway  
 Harlow, Essex, CM20 2DY, UK  
 Phone: +44 1279 63 55 33  
 Fax: +44 1279 62 50 29  
 Email: sales@jumo.co.uk  
 Internet: www.jumo.co.uk

**JUMO Process Control, Inc.**  
 6724 Joy Road  
 East Syracuse, NY 13057, USA  
 Phone: +1 315 437 5866  
 Fax: +1 315 437 5860  
 Email: info.us@jumo.net  
 Internet: www.jumousa.com



## Technical data

### Interfaces

System bus (output, lateral) Description Type Number Application	None (side plug connector) System specific 1 Connection to an input/output module
System bus (input, front side) Description Type Number Connecting cable Application	Bus In RJ45 1 Network cable (patch or crossover cable), at least CAT5 (S/FTP) Connection with a router module 705041 (on the same DIN rail as the central processing unit) or 705042 (on separate DIN rail)
System bus (output, front side) Description Type Number Connecting cable Application	Bus Out1, Bus Out2 RJ45 2 Network cable (patch or crossover cable), at least CAT5 (S/FTP) Connection with router modules of the JUMO variTRON automation system

### Electrical data

Voltage supply Connection Voltage Residual ripple	At the front (removable terminal strip, 2-pole with Push In technology) DC 24 V +25/-20 % SELV 5 %
Current consumption	100 mA (at DC 19.2 V) Current consumption of lined-up modules also has to be considered!
Power consumption	2 W
Conductor cross section on terminals GND and +24 V Wire or stranded wire without ferrule Stranded wire with ferrule 2 × stranded wire with twin ferrule with plastic collar	Min. 1.5 mm <sup>2</sup> , max. 2.5 mm <sup>2</sup> Min. 1.5 mm <sup>2</sup> , max. 2.5 mm <sup>2</sup> 1.5 mm <sup>2</sup>
Stripping length on terminals GND and +24 V	10 mm
Electrical safety	According to DIN EN 61010-1:2020 Overvoltage category III, pollution degree 2
Protection rating	III
Electromagnetic compatibility Interference emission Interference immunity	Acc. to DIN EN 61326-1:2022 Class A – only for industrial use – Industrial requirement

**JUMO GmbH & Co. KG**  
 Delivery address: Mackenrodtstraße 14  
 36039 Fulda, Germany  
 Postal address: 36035 Fulda, Germany  
 Phone: +49 661 6003-0  
 Fax: +49 661 6003-607  
 Email: mail@jumo.net  
 Internet: www.jumo.net

**JUMO Instrument Co. Ltd.**  
 JUMO House  
 Temple Bank, Riverway  
 Harlow, Essex, CM20 2DY, UK  
 Phone: +44 1279 63 55 33  
 Fax: +44 1279 62 50 29  
 Email: sales@jumo.co.uk  
 Internet: www.jumo.co.uk

**JUMO Process Control, Inc.**  
 6724 Joy Road  
 East Syracuse, NY 13057, USA  
 Phone: +1 315 437 5866  
 Fax: +1 315 437 5860  
 Email: info.us@jumo.net  
 Internet: www.jumousa.com



## Housing and environmental conditions

Case type	Plastic case for DIN rail mounting in the control cabinet (indoor use); DIN rail acc. to DIN EN 60715, 35 mm × 7.5 mm × 1 mm
Dimensions (W × H × D)	22.5 mm × 103.6 mm × 101.5 mm (without connection elements)
Weight	Approx. 150 g
Protection type	IP20, according to DIN EN 60529
Ambient temperature range	-20 to +55 °C
Storage temperature range	-40 to +70 °C
Resistance to climatic conditions	Relative humidity ≤ 90 % annual average without condensation (climate class 3K3 acc. to DIN EN 60721-3-3 with extended temperature and humidity range)
Site altitude	Up to 2000 m above sea level
Vibration	Acc. to DIN EN 60068-2-6, table C.2
Amplitude	0.15 mm from 10 to 58.1 Hz
Acceleration	20 m/s <sup>2</sup> from 58.1 to 150 Hz
Shock	Acc. to DIN EN 60068-2-27, table A.1
Peak acceleration	150 m/s <sup>2</sup>
Shock duration	11 ms

## Approvals and approval marks

c UL us	
Test facility	Underwriters Laboratories
Certificate/certification number	E201387
Inspection basis	UL 61010-1 (3. Ed.), CAN/CSA-22.2 No. 61010-1 (3. Ed.)
Valid for	All types
DNV	
Test facility	DNV
Certificate/certification number	TAA000016N
Inspection basis	Class Guideline DNV-CG-0339
Valid for	Type without wireless interface; a power supply unit with DNV type approval is required (e.g. type 705090)

**JUMO GmbH & Co. KG**  
 Delivery address: Mackenrodtstraße 14  
 36039 Fulda, Germany  
 Postal address: 36035 Fulda, Germany  
 Phone: +49 661 6003-0  
 Fax: +49 661 6003-607  
 Email: mail@jumo.net  
 Internet: www.jumo.net

**JUMO Instrument Co. Ltd.**  
 JUMO House  
 Temple Bank, Riverway  
 Harlow, Essex, CM20 2DY, UK  
 Phone: +44 1279 63 55 33  
 Fax: +44 1279 62 50 29  
 Email: sales@jumo.co.uk  
 Internet: www.jumo.co.uk

**JUMO Process Control, Inc.**  
 6724 Joy Road  
 East Syracuse, NY 13057, USA  
 Phone: +1 315 437 5866  
 Fax: +1 315 437 5860  
 Email: info.us@jumo.net  
 Internet: www.jumousa.com

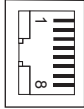
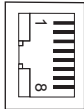
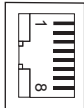


## Connection diagram


The connection diagram in the data sheet provides information on product selection.

**For the electrical connection, only use the installation instructions or the operating manual.**

## Interfaces

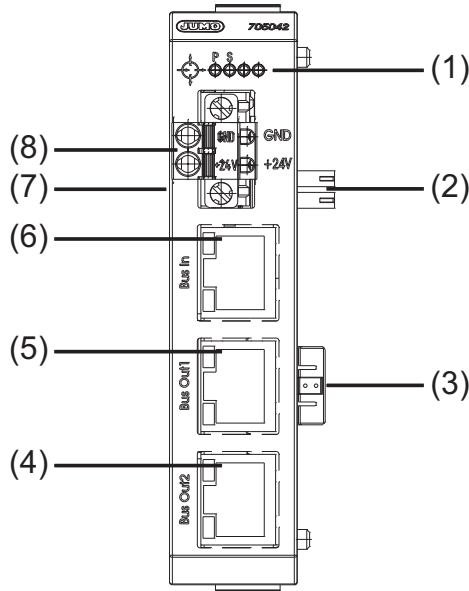
Connection	Description	Connection element	Assignment
System bus In (input)	Bus In		1 TX+      Transmission data + 2 TX-      Transmission data - 3 RX+      Received data + 6 RX-      Received data -
System bus Out1 (output)	Bus Out1		1 TX+      Transmission data + 2 TX-      Transmission data - 3 RX+      Received data + 6 RX-      Received data -
System bus Out2 (output)	Bus Out2		1 TX+      Transmission data + 2 TX-      Transmission data - 3 RX+      Received data + 6 RX-      Received data -

## Voltage supply

Connection	Terminals	Symbol and terminal designation
DC 24 V (front)	+24 V and GND	+ ———— ○ +24 V  U <sub>x</sub> - ———— ○ GND

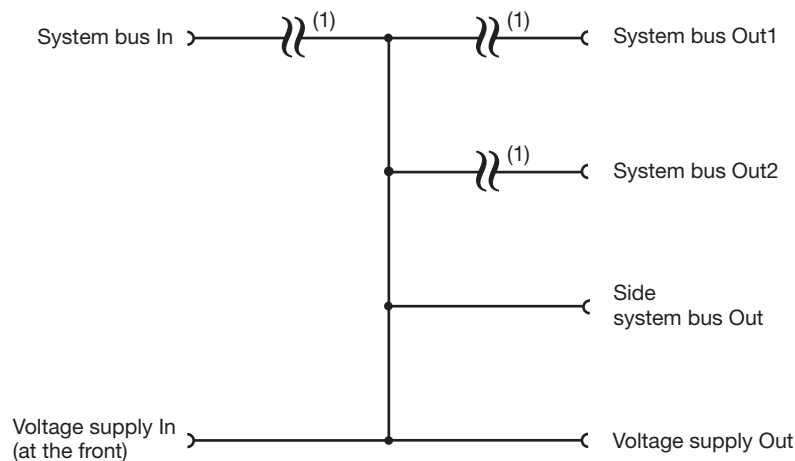


## Display, operating, and connection elements



- (1) Status displays (LED):  
 P = Voltage supply  
 S = Status
- (2) Voltage supply Out, DC 24 V
- (3) Side system bus Out (output)
- (4) System bus Out2 (output)
- (5) System bus Out1 (output)
- (6) System bus In (input)
- (7) 2 rotary coding switches (setting of the alias device address)
- (8) Voltage supply In, DC 24 V

## Electrical isolation



- (1) Functional galvanic isolation for connection of SELV or PELV electrical circuits.

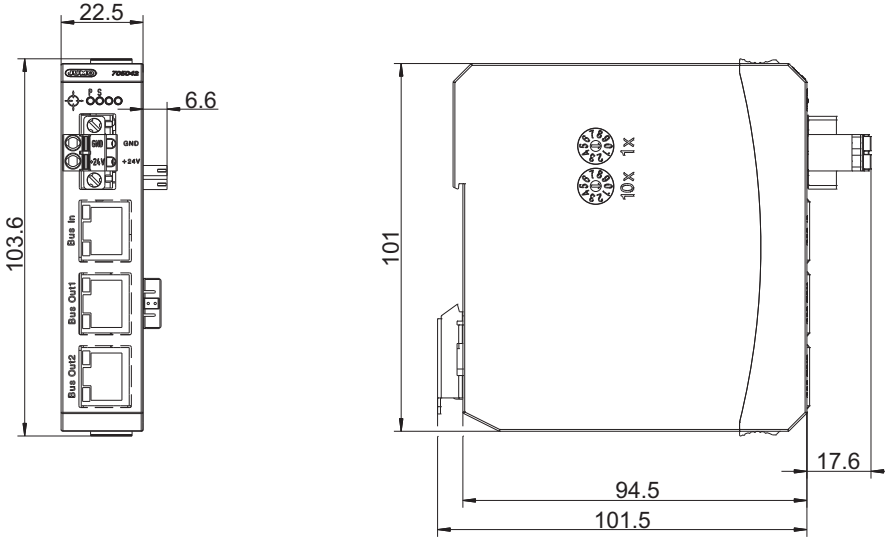
**JUMO GmbH & Co. KG**  
 Delivery address: Mackenrodtstraße 14  
 36039 Fulda, Germany  
 Postal address: 36035 Fulda, Germany  
 Phone: +49 661 6003-0  
 Fax: +49 661 6003-607  
 Email: mail@jumo.net  
 Internet: www.jumo.net

**JUMO Instrument Co. Ltd.**  
 JUMO House  
 Temple Bank, Riverway  
 Harlow, Essex, CM20 2DY, UK  
 Phone: +44 1279 63 55 33  
 Fax: +44 1279 62 50 29  
 Email: sales@jumo.co.uk  
 Internet: www.jumo.co.uk

**JUMO Process Control, Inc.**  
 6724 Joy Road  
 East Syracuse, NY 13057, USA  
 Phone: +1 315 437 5866  
 Fax: +1 315 437 5860  
 Email: info.us@jumo.net  
 Internet: www.jumousa.com



## Dimensions



## Compatibility

### JUMO variTRON

See data sheet of the relevant central processing unit JUMO variTRON:  
 Data sheet 70500x

**JUMO GmbH & Co. KG**  
 Delivery address: Mackenrodtstraße 14  
 36039 Fulda, Germany  
 Postal address: 36035 Fulda, Germany  
 Phone: +49 661 6003-0  
 Fax: +49 661 6003-607  
 Email: mail@jumo.net  
 Internet: www.jumo.net

**JUMO Instrument Co. Ltd.**  
 JUMO House  
 Temple Bank, Riverway  
 Harlow, Essex, CM20 2DY, UK  
 Phone: +44 1279 63 55 33  
 Fax: +44 1279 62 50 29  
 Email: sales@jumo.co.uk  
 Internet: www.jumo.co.uk

**JUMO Process Control, Inc.**  
 6724 Joy Road  
 East Syracuse, NY 13057, USA  
 Phone: +1 315 437 5866  
 Fax: +1 315 437 5860  
 Email: info.us@jumo.net  
 Internet: www.jumousa.com



## Order details

<b>(1) Basic type</b>	
705042	Router module 3-port
<b>(2) Voltage supply</b>	
36	DC 24 V +25/-20 %, SELV
<b>(3) DNV approval</b>	
000	Without approval
062	DNV approval <sup>a</sup>

<sup>a</sup> The power supply unit used must also have a DNV type approval (e.g. type 705090).

	<b>(1)</b>	<b>(2)</b>	<b>(3)</b>
<b>Order code</b>	705042	36	000
<b>Order example</b>	705042	/ 36	/ 000

## Scope of delivery

1 router module 3-port
1 cover for system bus
2 screw-on end clamps for DIN rail
1 installation instructions

## Stock versions

<b>Order code</b>	<b>Part no.</b>
705042/36/000	00735307