

CLOGGING INDICATORS



TECHNICAL FEATURES

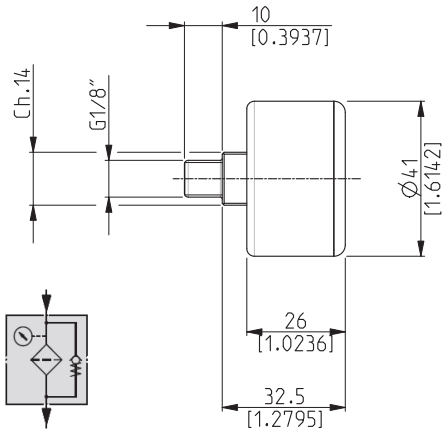
- Visual, electrical and visual-electrical indicators.
- Differential indicators to signal the pressure drop (Δp) between filter inlet and outlet.
- Settings depending on by-pass valve in order to indicate the filter element replacement need before the total clogging occurs.

APPLICATION FIELDS



RETURN FILTERS INDICATORS

REAR MANOMETER



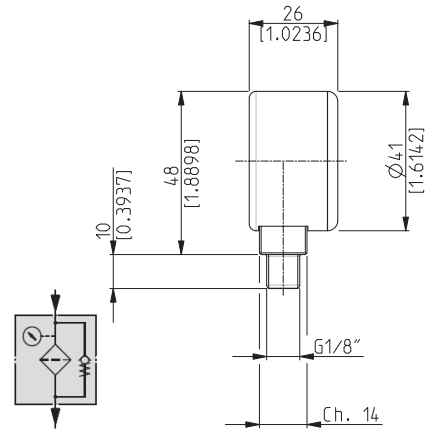
CODE M

HF502/508
HF532
HF547
HF554
HF570/578

TECHNICAL DATA

RANGE **0 ÷ 10 bar** [0 ÷ 145 psi]

RADIAL MANOMETER



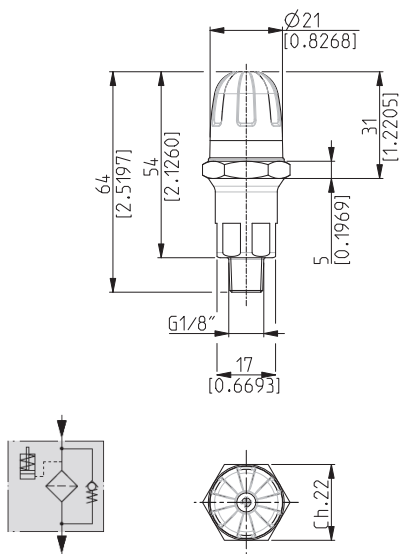
CODE N

HF502/508
HF547
HF554
HF570/578

TECHNICAL DATA

RANGE **0 ÷ 10 bar** [0 ÷ 145 psi]

VISUAL INDICATOR



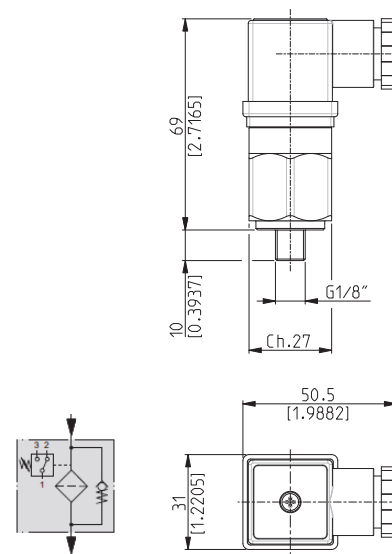
CODE P

HF502/508
HF532
HF547
HF554
HF570/578

TECHNICAL DATA

PRESSURE SETTING **1,5 bar** [22 psi]

ELECTRICAL INDICATOR



CODE S

HF502/508
HF532
HF547
HF554
HF570/578

TECHNICAL DATA

PRESSURE SETTING **1,5 bar** [22 psi]

MAXIMUM WORKING VOLTAGE **220 VCA**

110 VCC

MAXIMUM WORKING CURRENT **0,5 A (resistive)**

0,15 A (inductive)

PROTECTION CLASS **IP65**

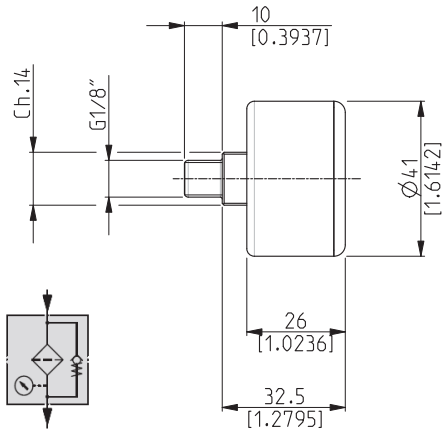
CONTACTS **N.A. / N.C.**

WIRE CLAMP **PG7**

► For special requests please contact our Sales Department.

SUCTION SPIN-ON FILTERS INDICATORS

REAR MANOMETER



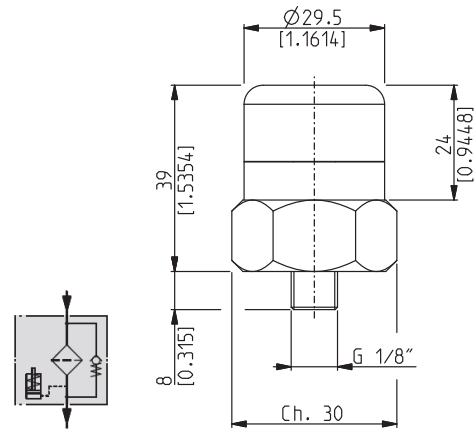
CODE M

HF620

TECHNICAL DATA

RANGE **-1 ÷ 0 bar** [-14,5 ÷ 0 psi]

VISUAL INDICATOR



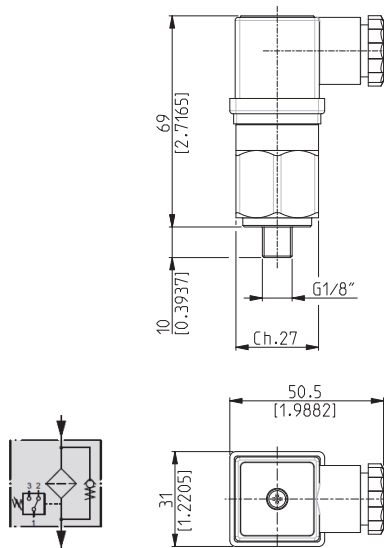
CODE V

HF620

TECHNICAL DATA

PRESSURE SETTING **-0,15 bar** [-2,2 psi]

ELECTRICAL INDICATOR



CODE E

HF620

TECHNICAL DATA

PRESSURE SETTING **-0,15 bar** [-2,2 psi]

MAXIMUM WORKING VOLTAGE **220 VCA**

110 VCC

MAXIMUM WORKING CURRENT **0,5 A (resistive)**

0,15 A (inductive)

PROTECTION CLASS **IP65**

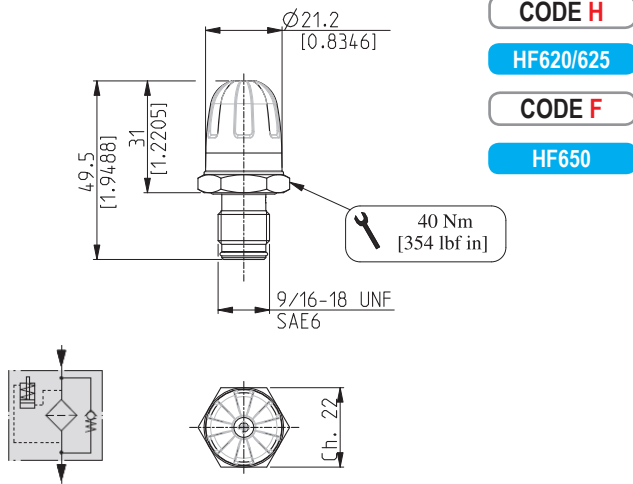
CONTACTS **N.A. / N.C.**

WIRE CLAMP **PG7**

► For special requests please contact our Sales Department.

RETURN SPIN-ON FILTERS INDICATORS

BULB VISUAL DIFFERENTIAL INDICATOR



CODE H

HF620/625

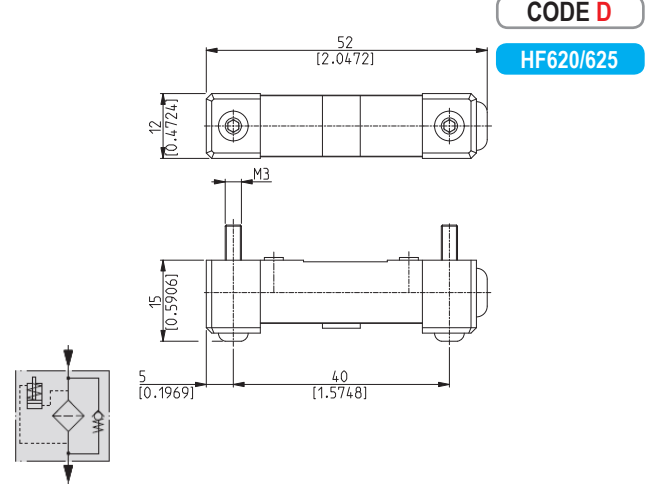
CODE F

HF650

TECHNICAL DATA

PRESSURE SETTING	1,5 bar [22 psi]
	3 bar [43.5 psi]

BAR VISUAL DIFFERENTIAL INDICATOR



CODE D

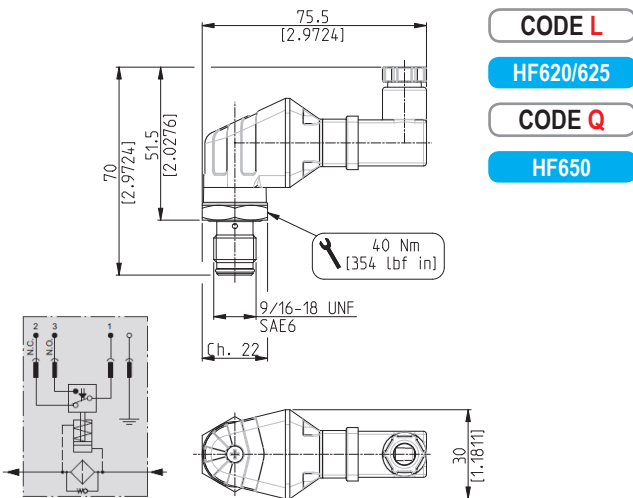
HF620/625

► Only sizes 20 and 30

TECHNICAL DATA

PRESSURE SETTING	1,5 bar [22 psi]
------------------	------------------

VISUAL-ELECTRICAL DIFFERENTIAL INDICATOR



CODE L

HF620/625

CODE Q

HF650

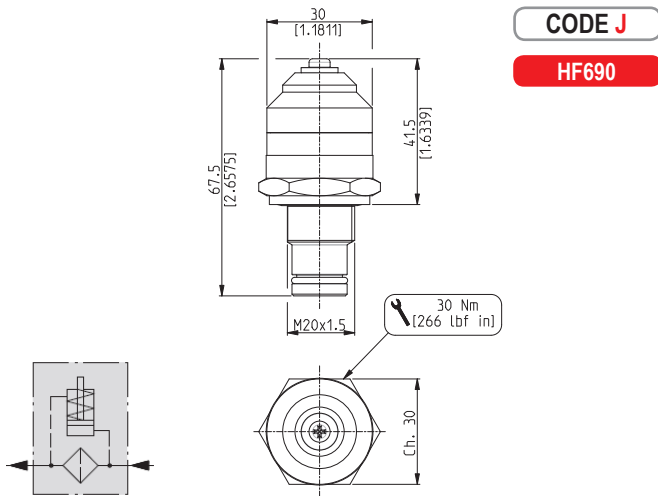
TECHNICAL DATA

PRESSURE SETTING	1,5 bar [22 psi]
	3 bar [43.5 psi]
MAXIMUM WORKING VOLTAGE	250 VAC
	30 VDC
MAXIMUM WORKING CURRENT	3 A (resistive)
	3 A (inductive)
PROTECTION CLASS	IP66
WIRE CLAMP	PG7

► For special requests please contact our Sales Department.

MEDIUM AND HIGH PRESSURE FILTERS INDICATORS

VISUAL DIFFERENTIAL INDICATOR



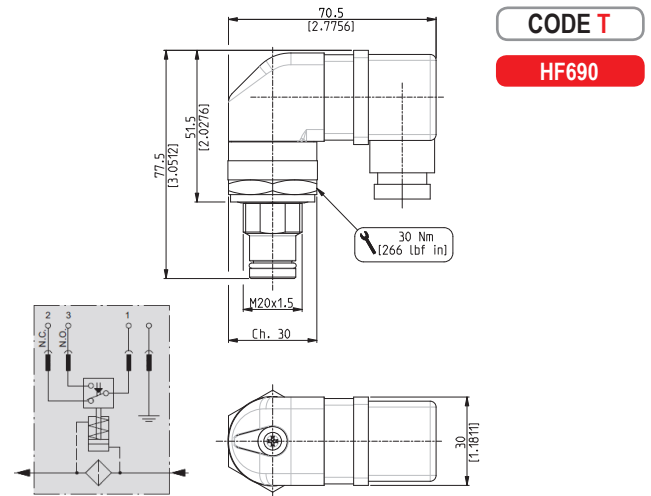
CODE J

HF690

TECHNICAL DATA

PRESSURE SETTING 5 bar [72.5 psi]

VISUAL-ELECTRICAL DIFFERENTIAL INDICATOR



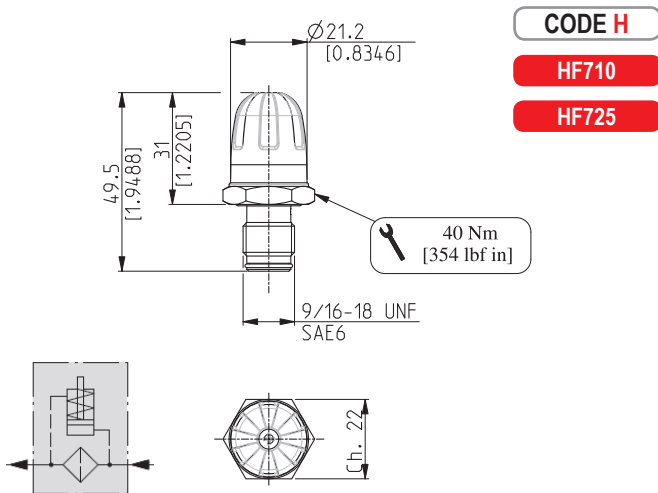
CODE T

HF690

TECHNICAL DATA

PRESSURE SETTING 5 bar [72.5 psi]
 MAXIMUM WORKING VOLTAGE 250 VAC - 300 VDC
 MAXIMUM WORKING CURRENT 5 A (resistive) - 5 A (carico inductive)
 PROTECTION CLASS - WIRE CLAMP IP65 - PG11

VISUAL DIFFERENTIAL INDICATOR



CODE H

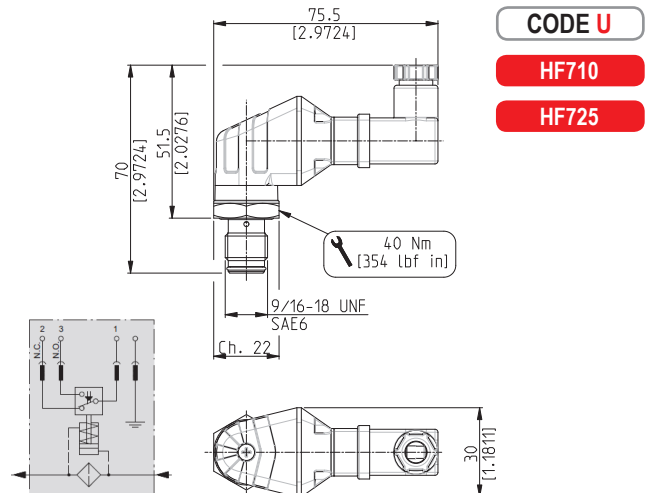
HF710

HF725

TECHNICAL DATA

PRESSURE SETTING 5 bar [72.5 psi] with filter by-pass
8 bar [116 psi] without filter by-pass

VISUAL-ELECTRICAL DIFFERENTIAL INDICATOR



CODE U

HF710

HF725

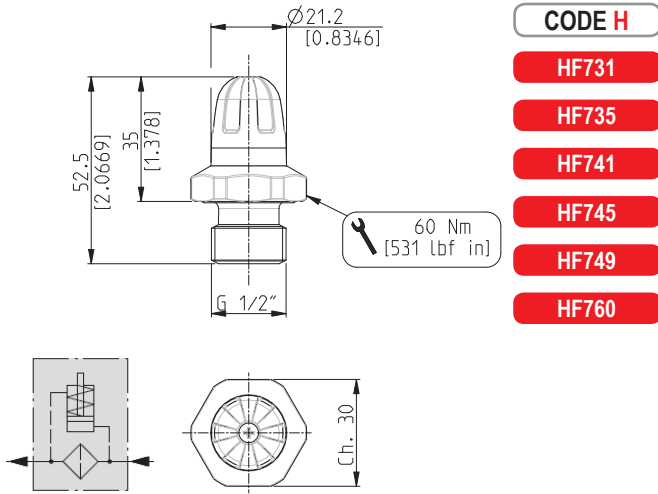
TECHNICAL DATA

PRESSURE SETTING 5 bar [72.5 psi] with filter by-pass
8 bar [116 psi] without filter by-pass
 MAXIMUM WORKING VOLTAGE 250 VAC
30 VDC
 MAXIMUM WORKING CURRENT 3 A (resistive)
3 A (inductive)
 PROTECTION CLASS IP66
 WIRE CLAMP PG7

► For special requests please contact our Sales Department.

MEDIUM AND HIGH PRESSURE FILTERS INDICATORS

VISUAL DIFFERENTIAL INDICATOR



CODE H

HF731

HF735

HF741

HF745

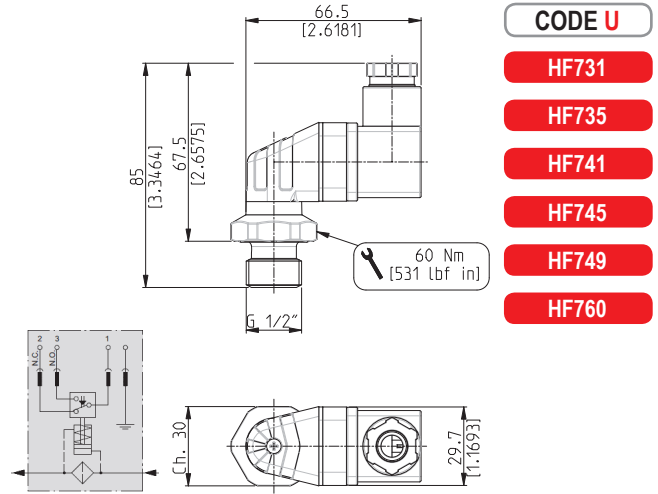
HF749

HF760

TECHNICAL DATA

PRESSURE SETTING	5 bar [72.5 psi] with filter by-pass
	8 bar [116 psi] without filter by-pass

VISUAL-ELECTRICAL DIFFERENTIAL INDICATOR



CODE U

HF731

HF735

HF741

HF745

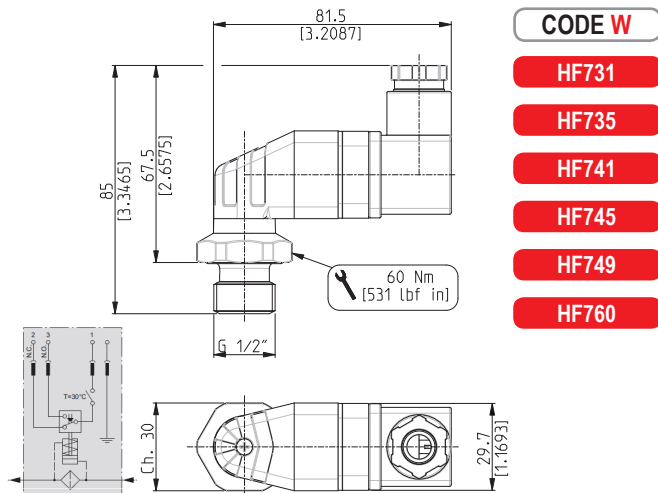
HF749

HF760

TECHNICAL DATA

PRESSURE SETTING	5 bar [72.5 psi] with filter by-pass
	8 bar [116 psi] without filter by-pass
MAXIMUM WORKING VOLTAGE	250 VAC
	30 VDC
MAXIMUM WORKING CURRENT	3 A (resistive)
	3 A (inductive)
PROTECTION CLASS	IP66
WIRE CLAMP	PG11

VISUAL-ELECTRICAL DIFFERENTIAL INDICATOR WITH THERMOSTAT



CODE W

HF731

HF735

HF741

HF745

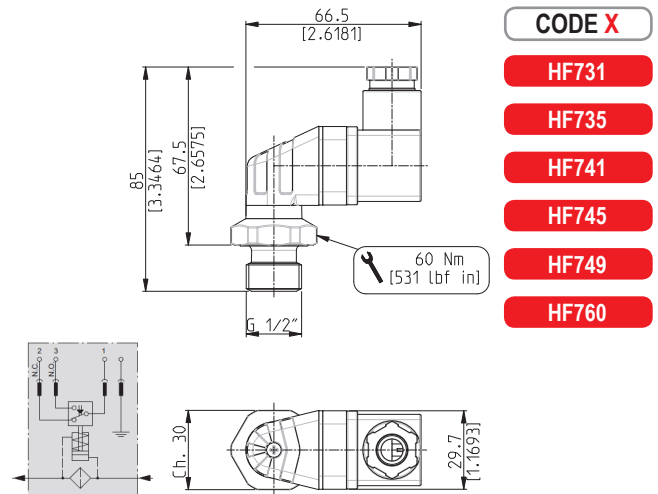
HF749

HF760

TECHNICAL DATA

PRESSURE SETTING	5 bar [72.5 psi] with filter by-pass
	8 bar [116 psi] without filter by-pass
MAXIMUM WORKING VOLTAGE	250 VAC
	30 VDC
MAXIMUM WORKING CURRENT	3 A (resistive)
	3 A (inductive)
PROTECTION CLASS	IP66
WIRE CLAMP	PG11
THERMOSTAT SETTING	30° C [80° F]

ELECTRICAL DIFFERENTIAL INDICATOR



CODE X

HF731

HF735

HF741

HF745

HF749

HF760

TECHNICAL DATA

PRESSURE SETTING	5 bar [72.5 psi] with filter by-pass
	8 bar [116 psi] without filter by-pass
MAXIMUM WORKING VOLTAGE	250 VAC
	30 VDC
MAXIMUM WORKING CURRENT	3 A (resistive)
	3 A (inductive)
PROTECTION CLASS	IP66
WIRE CLAMP	PG11

► For special requests please contact our Sales Department.

SUMMARY TABLES

RETURN FILTERS INDICATORS

TYPE	CODE	HF502/508	HF532	HF547	HF554	HF570/578
REAR MANOMETER M	HHM02530	●	●	●	●	●
RADIAL MANOMETER N	HHM02535	●		●	●	●
VISUAL INDICATOR P	HHI03042	●	●	●	●	●
ELECTRICAL INDICATOR S	HHI03014	●	●	●	●	●

SUCTION SPIN-ON FILTERS INDICATORS

TYPE	CODE	HF620
REAR MANOMETER M	HHV02300	●
VISUAL INDICATOR V	HHI03046	●
ELECTRICAL INDICATOR E	HHI03049	●

RETURN SPIN-ON FILTERS INDICATORS

TYPE	CODE	HF620/625	HF650
BULB VISUAL DIFFERENTIAL INDICATOR H	HHI01901	●	
BULB VISUAL DIFFERENTIAL INDICATOR (1,5 BAR) F	HHI01901		●
BULB VISUAL DIFFERENTIAL INDICATOR (3 BAR) F	HHI01902		●
BAR VISUAL DIFFERENTIAL INDICATOR D	HHI03085	●	
VISUAL-ELECTRICAL DIFFERENTIAL INDICATOR L	HHI01948	●	
VISUAL-ELECTRICAL DIFF. INDICATOR (1,5 BAR) Q	HHI01948		●
VISUAL-ELECTRICAL DIFF. INDICATOR (3 BAR) Q	HHI01949		●

MEDIUM AND HIGH PRESSURE FILTERS INDICATORS

TYPE	CODE	HF690	HF710	HF725	HF731	HF735	HF741	HF745	HF749	HF760
VISUAL DIFFERENTIAL INDICATOR J	HHI03070	●								
VISUAL DIFFERENTIAL INDICATOR (5 BAR) H	HHI01900		●	●						
VISUAL DIFFERENTIAL INDICATOR (8 BAR) H	HHI01903		●	●						
VISUAL DIFFERENTIAL INDICATOR (5 BAR) H	HHI01801				●	●	●	●	●	●
VISUAL DIFFERENTIAL INDICATOR H	HHI01804				●	●	●	●	●	●
VISUAL-ELECTRICAL DIFFERENTIAL INDICATOR T	HHI03075	●								
VISUAL-ELECTRICAL DIFF. INDICATOR (5 BAR) U	HHI01950		●	●						
VISUAL-ELECTRICAL DIFF. INDICATOR (8 BAR) U	HHI01951		●	●						
VISUAL-ELECTRICAL DIFF. INDICATOR (5 BAR) U	HHI01850				●	●	●	●	●	●
VISUAL-ELECTRICAL DIFF. INDICATOR (8 BAR) U	HHI01853				●	●	●	●	●	●
VISUAL-ELECTRICAL DIFF. INDICATOR + THERM. (5 BAR) W	HHI01880				●	●	●	●	●	●
VISUAL-ELECTRICAL DIFF. INDICATOR + THERM. (8 BAR) W	HHI01881				●	●	●	●	●	●
ELECTRICAL DIFFERENTIAL INDICATOR (5 BAR) X	HHI01861				●	●	●	●	●	●
ELECTRICAL DIFFERENTIAL INDICATOR (8 BAR) X	HHI01862				●	●	●	●	●	●

SUCTION FILTERS

HF 410
HF 431/434/437

RETURN FILTERS

HF 502/508
HF 532
HF 547
HF 554
HF 570/575/578

SPIN-ON FILTERS

HF 620/625
HF 650

MEDIUM AND HIGH PRESSURE FILTERS

HF 690
HF 705
HF 710
HF 725
HF 731
HF 735
HF 741
HF 745
HF 749
HF 760

HAND PUMPS

EP

ACCESSORIES

HB 02/50/70/110/120

AF 105/106

HL 91

INDICATORI DI INTASAMENTO

FLUX OIL IK 15/50

R 15/50

 **IKRON**[®]
Fluid Filtration

Via C. Prampolini, 2
43044 Lemignano di Collecchio
Parma - Italy
Phone: +39 0521 304911
info@ikron.it
www.ikron.it