

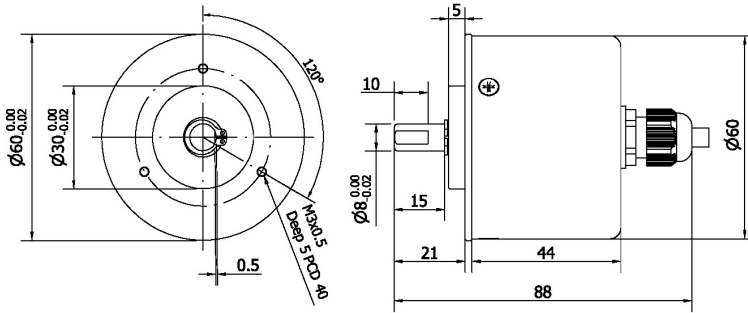
# MRD-6A-S

**MAGNETIC SENSOR**  
**ABSOLUTE ENCODER**  
**SSI Binary Code**



- Output Code 碼值: SSI Binary Code
- High Resolution 高解析值: 12 bit
- Application 適合: 角度 Angle、位置 Position  
張力 Tension、速度 Speed

## DIMENSION



## ORDERING INFORMATION

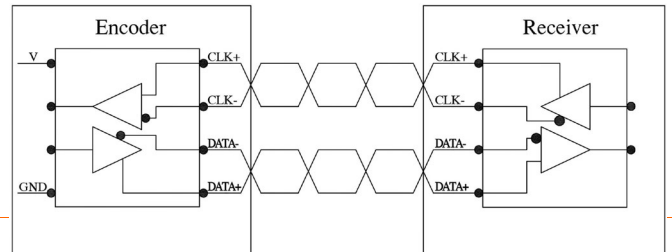
MRD-6A-S-4096-

Signal 輸出信號	Signal Sequence 信號輸出序列
4096	*W: Reversed
(Standard Sequence)	*OPTION

## ELECTRICAL SPEC.

Detection System	Absolute 絕對值	Output Code 輸出碼值	SSI Binary Code 二進制碼
Power Supply 供應電源	DC 5~26V	Current Consumption 消耗電流	≤ 80 mA (no load)
Resolution 解析	[standard] 12 bit (0~4096) (increasing); [option] 12 bit (4096~0) (decreasing)		
Output Capacity 輸出容量	≤ 40 mA		
Insulation Resistance 絕緣阻抗	100mΩ / 500Vdc		
Insulation Strength 耐壓強度	1 KV / min.		
Data Output	5V ≥ VH ≥ 2.5V		
Clock Input Voltage	5.5V ≥ VH ≥ 2.5V, VL ≤ 0.7V		
Polarity 極性保護	Against Reverse Protection		
Max. Communication Transmission	40K Hz		
Frequency 最大通訊傳輸頻率	(1MK Hz ≥ Clock ≥ 200K Hz)		

## SSI Interface



## MECHANICAL SPEC.

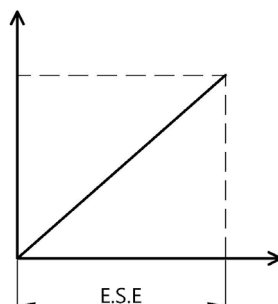
Shaft Diameter 軸徑	8 mm	Shock 衝擊	50g per 11 ms
Shaft Loading 軸荷重	Axial 軸向: 4 Kg, Radial 徑向: 8 Kg	Max. Speed 最大容許速度	600 rpm
Starting Torque (at 25°C) 起動轉矩	260 gf-cm or less	Mechanical Life 機械迴轉壽命	1X10 <sup>9</sup> cycles
Mechanical Angle 機械迴轉角度	360° continuous 連續	Cable 電線	Ø4.5, 1000 mm long
Vibration 震動	10-55 Hz / 1.5 mm Vpp, 10 G (max.)	Weight 重量	≤ 320 g

## ENVIRONMENTAL SPEC.

Operating Temp. / Humidity 操作溫度/濕度	-10°C~70°C, RH35%~90% (No Condensation)
Storage Temp. 儲存溫度	-20°C ~ 80°C
Protection 保護等級	IP64: Dust Proof

## Output Curve

E.S.E. 有效電子角度	360°
Accuracy 精度	±0.20%FS
Repeatability Error 重複性誤差	±0.08%FS



## Electrical Connection

