

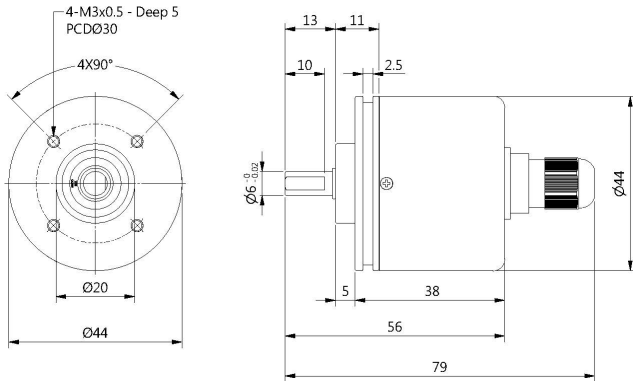
MRD-4A-S

MAGNETIC ENCODER
ABSOLUTE ENCODER
SSI Binary Code



- Output Code 碼值: SSI Binary Code
- High Resolution 高解析值: 12 bit
- Application 適合: 角度 Angle、位置 Position
張力 Tension、速度 Speed

DIMENSION



ORDERING INFORMATION

MRD-4A-S-4096-

Signal
輸出信號

4096

(Standard Sequence)

Signal Sequence
信號輸出序列

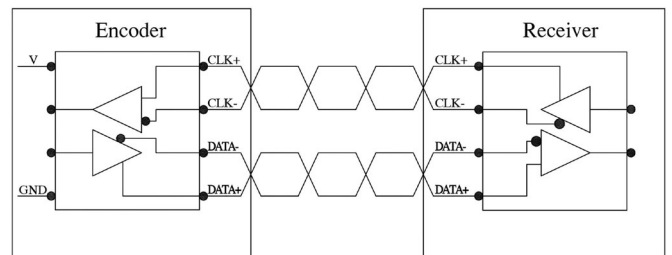
*W: Reversed

* OPTION

ELECTRICAL SPEC.

Detection System	Absolute 絕對值	Output Code 輸出碼值	SSI Binary Code 二進制碼
Power Supply 供應電源	DC 5~26V	Current Consumption 消耗電流	≤ 80 mA (no load)
Resolution 解析	[standard] 12 bit (0~4096) (increasing); [option] 12 bit (4096~0) (decreasing)		
Output Capacity 輸出容量	≤ 40 mA		
Insulation Resistance 絕緣阻抗	100mΩ / 500Vdc		
Insulation Strength 耐壓強度	1 KV / min.		
Data Output	5V ≥ VH ≥ 2.5V		
Clock Input Voltage	5.5V ≥ VH ≥ 2.5V, VL ≤ 0.7V		
Polarity 極性保護	Against Reverse Protection		
Max. Communication Transmission	40K Hz		
Frequency 最大通訊傳輸頻率	(1MK Hz ≥ Clock ≥ 200K Hz)		

SSI Interface



MECHANICAL SPEC.

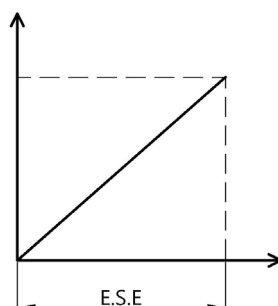
Shaft Diameter 軸徑	6 mm	Shock 衝擊	50g per 11 ms
Shaft Loading 軸荷重	Axial 軸向: 1 Kg, Radial 徑向: 2 Kg	Max. Speed 最大容許速度	600 rpm
Starting Torque (at 25°C) 起動轉矩	30 gf-cm or less	Mechanical Life 機械迴轉壽命	1X10 ⁹ cycles
Mechanical Angle 機械迴轉角度	360° continuous 連續	Cable 電線	Ø4.5, 1000 mm long
Vibration 震動	10-55 Hz / 1.5 mm Vpp, 10 G (max.)	Weight 重量	≤ 200 g

ENVIRONMENTAL SPEC.

Operating Temp. / Humidity 操作溫度/濕度	-10°C~70°C, RH35%~90% (No Condensation)
Storage Temp. 儲存溫度	-20°C ~ 80°C
Protection 保護等級	IP 50: Dust Proof

Output Curve

E.S.E. 有效電子角度	360°
Accuracy 精度	±0.20%FS
Repeatability Error 重覆性誤差	±0.08%FS



Electrical Connection

