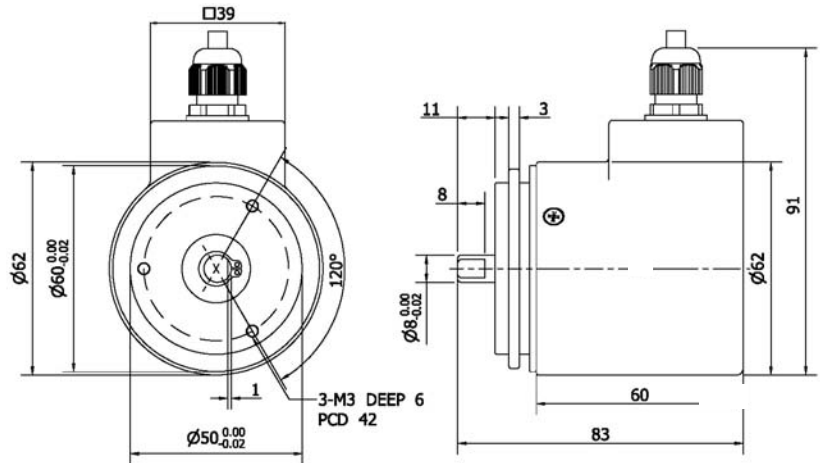
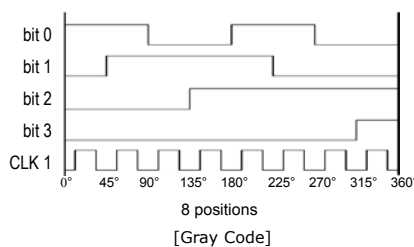
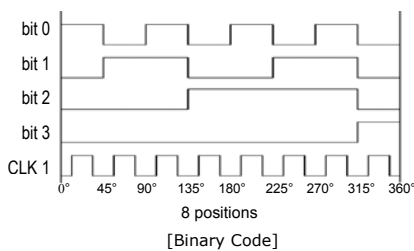
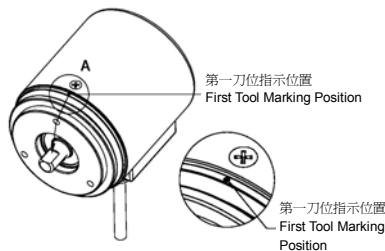


CNC 刀塔專用型



Features 特性

- With CLK/STB Positioning System 具有 CLK 定位功能
- With Z position Mark and LED Indicator 第一把刀位位置刻記，方便安裝對位



ELECTRICAL SPEC.

Output Code 輸出信號	Gray Code and Binary code
Position 刀位	4, 6, 8, 10, 12, 16, 20, 24, 30
Electronics 電路特性	PNP Voltage, PNP Open Collector
Power Supply 供應電源	DC 8-26V
Current Consumption 消耗電流	< 100 mA
Logic	Positive logic (H=1, L=0)
Max. Response 最大響應頻率	10K Hz
Polarity 極性保護	Against Reverse Protection

* OPTION: parity 奇偶數位元; odd parity check 奇數位元偵測-夾具動作定位信號
(Please consult our sales department)

MECHANICAL SPEC.

Shaft Diameter 軸徑	8 mm
Shaft Loading 軸荷重	Axial: 2 Kg, Radial: 4 Kg
Max. Speed 最大機械容許速度	3,000 rpm
Vibration resistance	Endurance 55 Hz double amplitude 1.5 mm / 2 hours in X, Y and Z directions
Shock resistance	Endurance 500 m / S2(50g) 3 times each in X, Y and Z directions
Cable	Ø6, 1000 mm long
Weight	< 400g

ENVIRONMENTAL SPEC.

Operating Temp. / Humidity 操作溫度/濕度	-10°C ~ 60°C, RH 35% ~ 90% (No Condensation)
Storage Temp. 儲存溫度	-20°C ~ 80°C
Protection 保護等級	IP 64: dust & dripping proof

ORDERING INFORMATION

A4	Output Code 輸出信號	Position 刀位	Electronics 電路特性	Supply Voltage 供應電源	Connection 連接器	LED Indicator LED 指示燈
	B: Binary Code G: Gray Code	4, 6, 8, 10, 12, 16, 20, 24, 30 P/R	PV: PNP Voltage PC: PNP Open Collector	Blank: 8~26Vdc	Blank: Radial Cable *R10: Radial 10 pin	Blank: without LED *D: with LED