

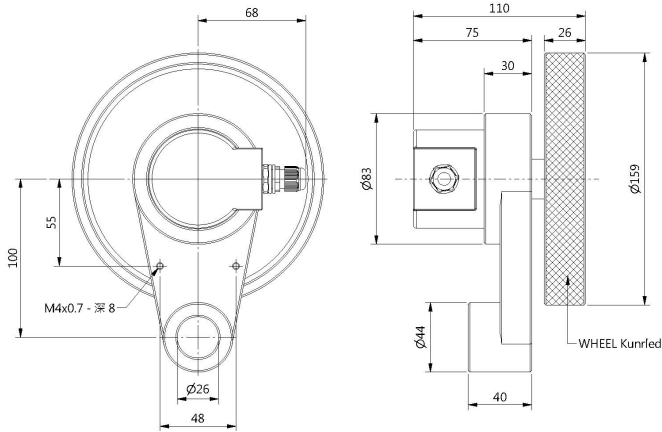
# HTR-MWK-5

## ROTARY ENCODER METER WHEEL



- Meter Wheel
- Metal Knurled Wheel
- Push Pull, Line Driver
- DC 5~26V

### DIMENSION



### ORDERING INFORMATION

HTR-MWK-5-A -

Resolution 解析	Electronics 電路特性
1A : 1 mm	P: Push Pull
05A: 0.5 mm	*H: Line Driver
01A: 0.1 mm	

### ELECTRICAL SPEC.

Detection System	Incremental 增量型
Output Wave 輸出波形	Square Wave 方波
Standard Resolution 解析	1, 0.5, 0.1 mm
Output Phase 輸出相	ABZ phase
Electronics 電路特性	Push Pull 推挽式, Line Driver 差動式
Power Supply 供應電源	DC 5~26V
Current Consumption 消耗電流	≤ 60 mA
Output Capacity 輸出容量	Sync. Current: 20 mA, Residual Voltage: 0.5V or less
Max. Response 最大響應頻率	10K ~ 150K Hz
Phase Different 相位差	A, B phase different 90°±45° (T/4±T/8), Z phase T±T/2
Wave Form Rise / Fall 波形上下時間	2 μs or less
Polarity 極性保護	Against Reverse Protection

### MECHANICAL SPEC.

Type of wheel 輪子種類	Metal Knurled 金屬壓花輪
Wheel Circle Length 輪周長	500 mm +/- 0.1%
Max. Speed	1 m / sec.
Vibration 震動	10-55 Hz / 1.5 mm VPP, max. 10 G
Shock 衝擊	20g per 11 ms
Cable 電線	Ø5.4, 1000 mm long
Weight 重量	≤ 1800g

### ENVIRONMENTAL SPEC.

Operating Temp. / Humidity 操作溫度/濕度	-10°C ~ 60°C, RH 35% ~ 90% (No Condensation)
Storage Temp. 儲存溫度	-20°C ~ 80°C
Protection 保護等級	IP64: Dust & Dripping Proof