

Product information

Flow switch VD-...FG



- Highly reproducible
- Insensitive to dirt
- DIN flange housing
- Precise setting of the switching valve by means of a 180° scale / setting diagram

Characteristics

Mechanical flow switch, for fluid media, with no-contact triggering of an adjustable Reed contact. Robust construction in stainless steel material.

Technical data

Switch	Reed switch	
Nominal width	DN 15 – 150	
Process connection	flange	
Adjustment range	2...950 l/min	For details see table "Ranges"
Q _{max.}	up to 2000 l/min	
Hysteresis	Depending on the switching value, minimum 0.3 l/min	
Tolerance	±5 % of full scale value	
Pressure resistance	PN 16	
Medium temperature	Max. -20..+120 °C	
Ambient temperature	-20..+70 °C	
Media	Water, (oils and aggressive media available on request)	
Wiring	Transformer No. 0.213	
Switching voltage	Max. 175 V DC / 120 V AC	
Switching current	Max. 0.25 A DC / 0.18 AAC	
Switch performance	Max. 5 W / VA	
Protection class	2 - Safety insulation	
Ingress protection	IP 44, optionally IP 65	
Connection	Plug DIN 43650-A / ISO 4400	
Materials medium-contact	1.4310, Grey cast iron GG25, Ms58, POM, Ms58,, NBR, Klingerit, hard ferrite	
Non-medium-contact materials	ABS	

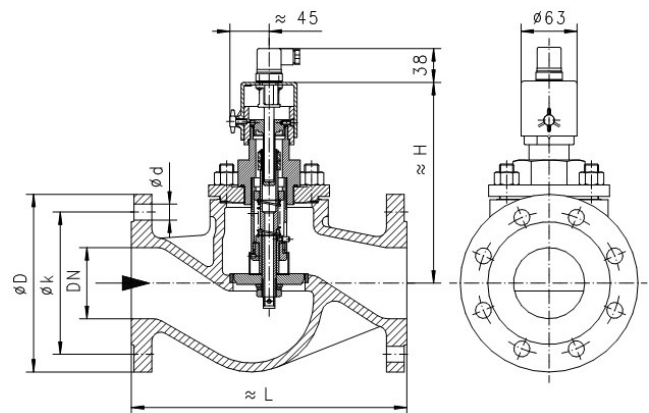
Weight	see table "Dimensions and weights"
Installation location	Standard: horizontal inwards flow; switching head not recommended underneath; other installation positions are possible; the installation position affects the switching point and range.

Ranges

Details in the table correspond to horizontal inwards flow with decreasing flow rate.

Type	Nominal width	Adjustment range l/min H ₂ O		Q _{max.} recommended	
VD-015FG...	DN 15	2- 8	4- 20	20	30
VD-020FG...	DN 20	4- 20	10- 40	40	55
VD-025FG...	DN 25	10- 40	20- 60	60	80
VD-032FG...	DN 32	20- 60	30- 100	100	135
VD-040FG...	DN 40	30- 100	50- 200	150	270
VD-050FG...	DN 50	50- 200	100- 250	270	340
VD-065FG...	DN 65	100- 250	150- 300	400	
VD-080FG...	DN 80	150- 300	300- 450	600	
VD-100FG...	DN 100	200- 400	350- 500	950	
VD-150FG...	DN 150	600- 750	700- 950	2000	

Dimensions and weights



Type	H mm	L mm	D mm	k mm	d mm	Weight kg
VD-015FG...	180	130	95	65	4x14	3,2
VD-020FG...	180	150	105	75	4x14	4,2
VD-025FG...	190	160	115	85	4x14	4,7
VD-032FG...	190	180	140	100	4x18	6,6
VD-040FG...	210	200	150	110	4x18	8,0
VD-050FG...	220	230	165	125	4x18	11,2
VD-065FG...	230	290	185	145	4x18	13,8
VD-080FG...	240	310	200	160	8x18	21,0
VD-100FG...	260	350	220	180	8x18	30,5
VD-150FG...	330	480	285	240	8x22	66,0

