

Flow Switch G-...GR



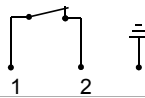
- Adjusted switching value
- Small switching point

Characteristics

Balls fitted with magnets rise in proportion to the flow against the magnetic force of an opposite-poled magnet and actuate a reed contact.

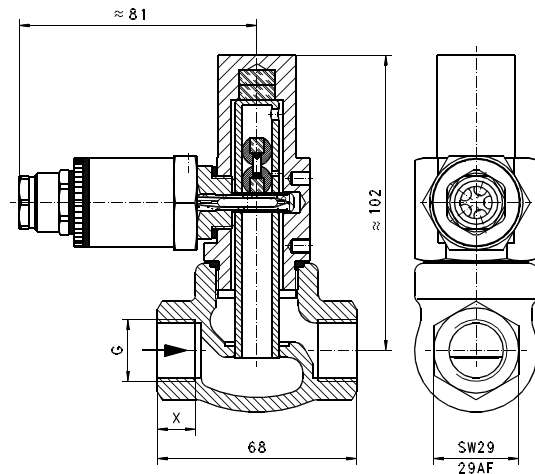
Technical data

Switch	reed switch
Nominal width	DN 8..15
Process connection	female thread G 1/4..G 1/2
Adjustment range	0.15..0.4 l/min horizontal inwards flow with decreasing flow rate
Q _{max. recommended}	G 1/4 - 4 l/min G 3/8 - 8 l/min G 1/2 - 12 l/min
Tolerance	±10 % of full scale value
Pressure resistance	PN 16 bar
Medium temperature	-20..+80 °C
Ambient temperature	-20..+70 °C
Media	water (oils up to 20 mm ² /s, and gases on request)
Wiring	normally closed (n.c.) no. 0.214
Switching voltage	max. 250 V AC
Switching current	max. 1 A
Switching capacity	max. 50 VA
Protection class	1 - PE connection
Ingress protection	IP 65
Electrical connection	Standard: cable screw gland Pg 11, optionally DIN 43650-A / ISO 4400 plug
Materials medium-contact	Rg 5 nickelled, CW614N nickelled, POM, Klingersil C-4400, hard ferrite
Non-medium-contact materials	CW614N, NBR
Weight	0.6 kg
Installation location	Standard: horizontal inwards flow; switching head upwards

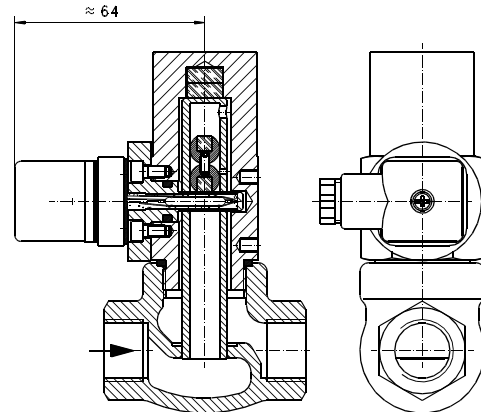


Dimensions and weights

G	Types	X
G 1/4	G-008..	12
G 3/8	G-010..	
G 1/2	G-015..	13



optionally DIN 43650-A / ISO 4400 plug



Handling and operation

- Include straight calming section of 5 x DN in inlet and outlet.
- If the media are dirty, install a filter (use magnetic filter for ferritic components).
- It must be ensured that the values given for voltage, current, and power are not exceeded.
- When switched on, a load must be connected in series. The electrical details apply to ohmic loads. Capacitive, inductive and lamp loads must be operated using a protective circuit.

Product Information

G-008..015GR

Ordering code

Standard device

1. 2. 3.
 G -

1. Nominal width	
008	DN 8 - G 1/4
010	DN 10 - G 3/8
015	DN 15 - G 1/2
2. Process connection	
G	female thread
3. Connection material	
R	red bronze

Options

- Transformer
- Adjustment for oil or gas
- Special values

Ordering information

- Specify direction of flow, medium, and switching point.
- For oils, state viscosity, temperature and designation (e.g. ISO VG 68) (enquire about range).
- For gases, state pressure (relative or absolute), temperature and medium (e.g. air) (enquire about range).