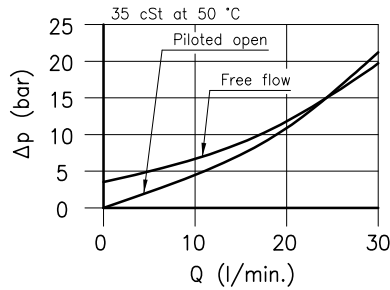
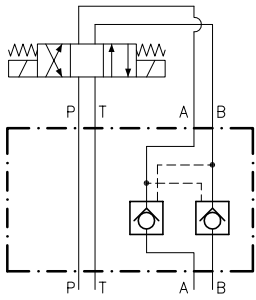
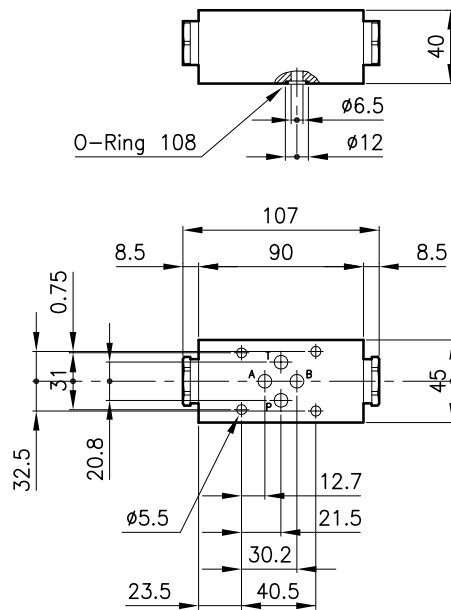


**Technical features**



Valves	(For features see catalogue 05.050)	CAE 20/M
Max. flow	(l/min.)	30
Max. pressure	(bar)	315
Pilot ratio		5:1
Fluid viscosity range	(cSt)	2.8 - 380
Fluid temperature range	(°C)	-20 +80
Mass (with aluminium body)	(kg)	0.560
Hydraulic fluid; mineral oil HM and HV	ISO 6074	
Recommended filtration; 19/15 ISO 4466 (25 μ absolutes)		
Standard seals in Polyurethane and Buna N		
Standard body in aluminium, (on request in cast iron)		

**Dimensions**



**Ordering informations**

**CAE 20/M-CFT 57**

Valves type \_\_\_\_\_  
 Standard spring \_\_\_\_\_  
**M** = 3.5 bar  
 Version \_\_\_\_\_

Codes:  
 CAE 20/M-CFT 57      22 011 117  
 Body:  
 20-CFT 57              28 147 255