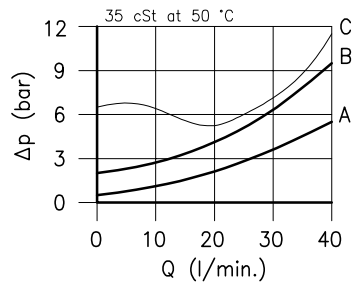
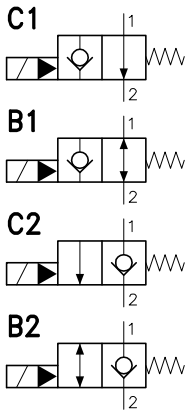


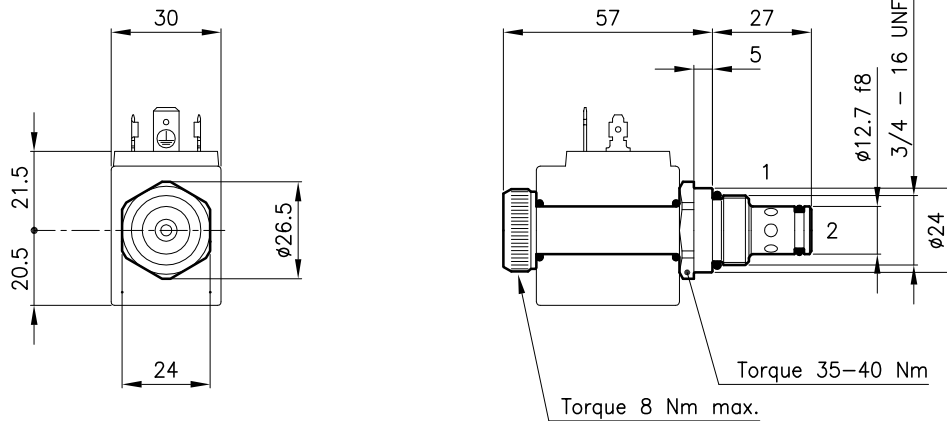
**Technical features**



	22C1	22B1	22C2	22B2
1 → 2 De-en.	curve A	curve A	not allowed	not allowed
2 → 1 De-en.	not allowed	curve A	curve B	curve B
1 → 2 Energ.	not allowed	not allowed	curve A	curve A
2 → 1 Energ.	curve C	curve C	not allowed	curve A

Cavity (For dimensions see catalogue 17.001)	S 28/2
Max. flow (l/min.)	30
Max. pressure (bar)	210
Response time (ms) It change in function of circuit, pressure, flow and fluid viscosity.	80 - 120 (Mean value)
Fluid viscosity range (cSt)	2.8 - 380
Fluid temperature range (°C)	-20 +80
Mass (kg)	0.120
Hydraulic fluid; mineral oil HM and HV	ISO 6074
Recommended filtration; 19/15 ISO 4466 (25 μ absolutes)	
Standard seals in Polyurethane and Buna N	

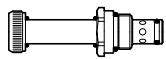
**Dimensions**



**Ordering informations**

**ECP 28/22C1-R**

ECP 28/22.. = Valve type



Circuits

22C1 =

22B1 =

22C2 =

22B2 =

Version for the Coils B28 series

Codes:

ECP 28/22C1-R	25 011 142
ECP 28/22B1-R	25 011 143
ECP 28/22C2-R	25 011 140
ECP 28/22B2-R	25 011 144
External seals kit	90 620 112

ECP 28/22.. valves can be assembled on standard bodies 28-LO series; for dimensions see catalogue 16.010

On the ECP 28/. ..-R valves must be assembled the Coils B28 series; for dimensions, features and codes see catalogue 09.902.