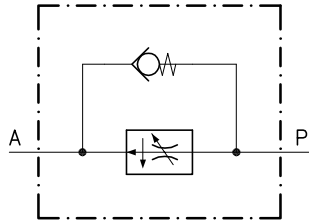


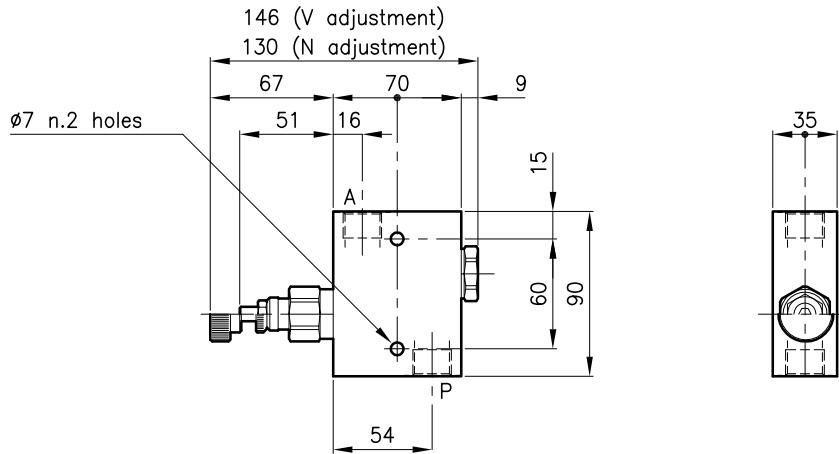
Technical features

The main valve are used as pressure compensated flow control and the they keep flow adjusted uniform independently from the pressure.
The annexed by-pass valve allows the reverse free-flow.



Valves	(For features see catalogue 06.060)	RDC 30
	(For features see catalogue 05.060)	CAE 30/P
Flow setting range 10% (l/min.)	type U	3 - 6
	type D	6 - 11
	type T	13 - 25
	type Q	25 - 45
Max. pressure	(bar)	315
Fluid viscosity range	(cSt)	2.8 - 380
Fluid temperature range	(°C)	-20 +80
Mass	(kg)	0.980
Hydraulic fluid; mineral oil HM and HV		ISO 6074
Recommended filtration; 19/15 ISO 4466 (25 μ absolutes)		
Standard seals in Polyurethane and Buna N		

Dimensions



Ordering informations

RDC 30/D-N-CSL 10-B08

Valve type

Flow setting range

U = 3 - 6 l/min

D = 6 - 11 l/min

T = 13 - 25 l/min

Q = 25 - 45 l/min

Adjustment type

N = Standard adjustment

V = Handknob adjustment

Version

Standard ports

B06 = G 3/8 ISO 228

B08 = G 1/2 ISO 228

Only body codes:

Body type 30-CSL 10-B06 38 144 127

Body type 30-CSL 10-B08 38 144 128