

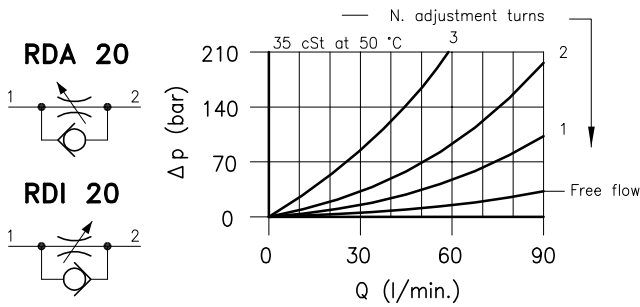
Technical features

Unidirectional needle valves

RDA 20 version for flow's control in direction 2 - 1

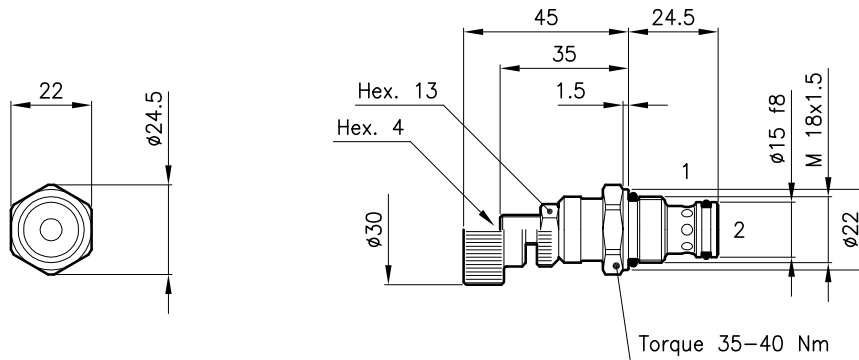
RDI 20 version for flow's control in direction 1 - 2

Complete adjustment range is obtained in about four handknob or screw turns till total closing valve (non shut off).



| | |
|--|-----------|
| Cavity (For dimensions see catalogue 17.000) | S 20/2 |
| Max. adjusted flow (Δp 35 bar) (l/min.) | 0 - 15 |
| Max. adjusted flow (Δp 70 bar) (l/min.) | 0 - 25 |
| Max. adjusted flow (Δp 140 bar) (l/min.) | 0 - 30 |
| Max. pressure (bar) | 350 |
| Fluid viscosity range (cSt) | 2.8 - 380 |
| Fluid temperature range (°C) | -20 +80 |
| Mass (kg) | 0.090 |
| Leakage when closed ($\text{cm}^3/1$) | 100 |
| Hydraulic fluid; mineral oil HM and HV | ISO 6074 |
| Recommended filtration; 19/15 ISO 4466 (25μ absolutes) | |
| Standard seals in Polyurethane and Buna N | |

Dimensions



Ordering informations

Valve type



RDA 20 =

RDI 20 =

Adjustment type

N = Standard adjustment

V = Handknob adjustment

RDA 20/N

Codes:

RDA 20/N 23 011 119

RDA 20/V 23 011 120

RDI 20/N 23 011 152

RDI 20/V 23 011 153

External seals kit 90 620 100

RDA 20 and RDI 20 valves can be assembled on standard bodies 20-LO series; for dimensions see catalogue 16.010