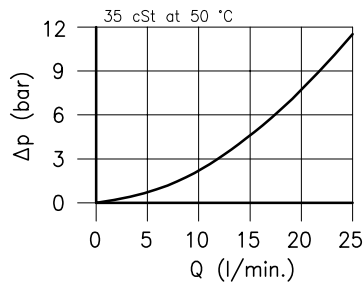
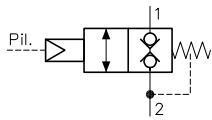


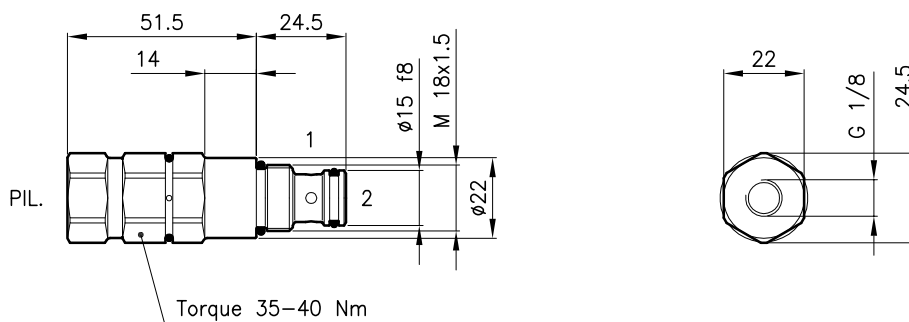
Technical features



Cavity	(For dimensions see catalogue 17.000)	S 20/2
Max. flow	(l/min.)	25
Max. pressure	(bar)	315
Pilot pressure (min.)	(bar)	2.5 - 4.5
Fluid viscosity range	(cSt)	2.8 - 380
Fluid temperature range	(°C)	-20 +80
Mass	(kg)	0.170
Hydraulic fluid; mineral oil HM and HV		ISO 6074
Recommended filtration; 19/15 ISO 4466 (25 μ absolutes)		
Standard seals in Polyurethane and Buna N		

Dimensions

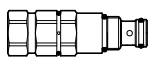
Pressure of chamber 2 influences the necessary pilot pressure for valve's drive (pilot ratio 3:1).



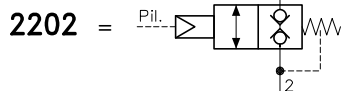
Ordering informations

OCD 20/2202-PN

OCD 20 = Valve type



Circuit



PNEUMATIC Pilot = 2.5 - 4.5 bar

Codes:

OCD 20/2202-PN 22 011 199

External seals kit 90 620 100

OCD 20/22.. valves can be assembled on standard bodies 20-L0 series; for dimensions see catalogue 16.010