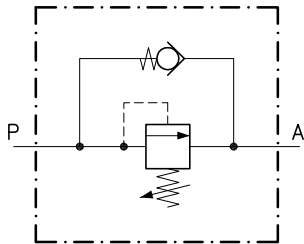


**Technical features**

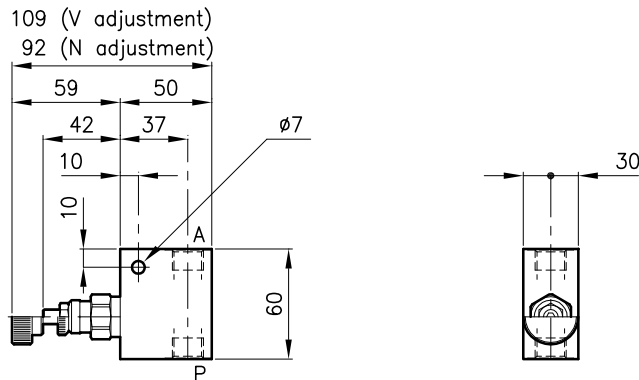
The main valve keeps closed till reaching set pressure, as this value gets over the valve opens and feeds the secondary circuit. The pressure required from secondary circuit add to the setting pressure.

The annexed by-pass valve allows the reverse free-flow.



Valves	(For features see catalogue 02.060)	LPA 20
	(For features see catalogue 05.005)	CB 20
Max. flow	(l/min.)	20
Max. pressure in P	(bar)	350
Max. pressure on A	(bar)	210
Fluid viscosity range	(cSt)	2.8 - 380
Fluid temperature range	(°C)	-20 +80
Mass	(kg)	0.380
Cracking pressure 90% of setting value		
Reseat pressure 80% of setting value		
Cracking pressure defined with 1 l/min.		
Hydraulic fluid; mineral oil HM and HV ISO 6074		
Recommended filtration; 19/15 ISO 4466 (25 μ absolutes)		
Standard seals in Polyurethane and Buna N		

**Dimensions**



**Ordering informations**

**LPA 20/D-N-CSL 10-B06**

Valve type

Standard springs

Type Setting range

**U** = 10 - 105 bar

**D** = 70 - 210 bar

**T** = 140 - 350 bar

Adjustment type

**N** = Standard adjustment

**V** = Hamdknob adjustment

Version

Standard ports

**B06** = G 3/8 ISO 228

Codes:

LPA 20/U-N-CSL 10-B06 21 011 171

LPA 20/D-N-CSL 10-B06 21 011 172

LPA 20/T-N-CSL 10-B06 21 011 173

LPA 20/U-V-CSL 10-B06 21 011 174

LPA 20/D-V-CSL 10-B06 21 011 175

LPA 20/T-V-CSL 10-B06 21 011 176

Only body code:

Body type 20-CSL 10-B06 28 144 116