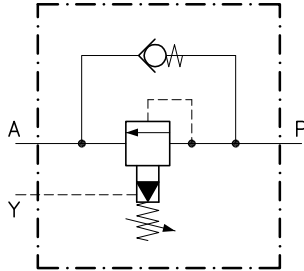


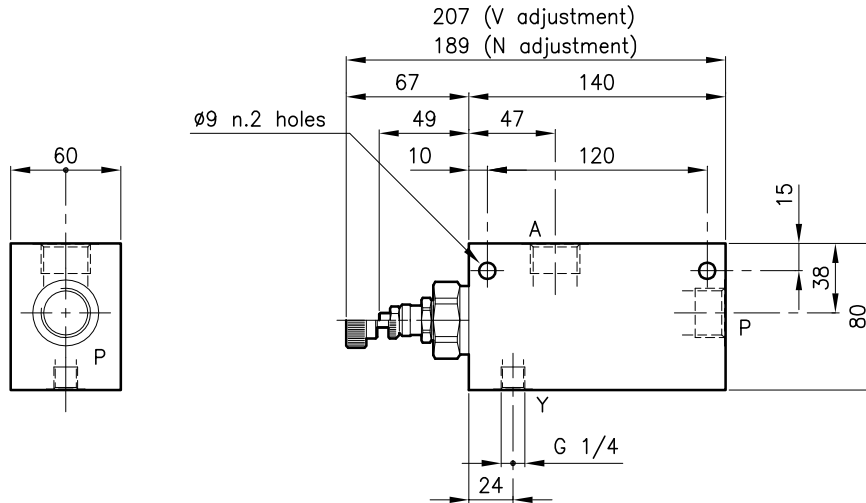
Technical features

The line Y (drain line directly connected with the tank) makes the valve indifferent to port A pressure, keeping the setting features unchanged.
The annexed by-pass valve allows the reverse free-flow.



Valves	(For features see catalogue 04.050)	LPY 50
	(For features see catalogue 05.070)	CAE 50/P
Max. flow	(l/min.)	160
Max. pressure in P	(bar)	420
Max. pressure on A	(bar)	350
Fluid viscosity range	(cSt)	2.8 - 380
Fluid temperature range	(°C)	-20 +80
Mass	(kg)	2.500
Standard setting obtained with 10 l/min.		
Hydraulic fluid; mineral oil HM and HV ISO 6074		
Recommended filtration; 19/15 ISO 4466 (25 μ absolutes)		
Standard seals in Polyurethane and Buna N		

Dimensions



Ordering informations

LPY 50/D-N-CSL 10-B12

Valve type	_____
Standard springs	_____
Type	Setting range
D	= 10 - 210 bar
Q	= 105 - 420 bar
Adjustment type	_____
N	= Standard adjustment
V	= Handknob adjustment
Version	_____
Standard ports	_____
B08	= G 1/2 ISO 228
B12	= G 3/4 ISO 228

Codes:

LPY 50/D-N-CSL 10-B08	51 011 136
LPY 50/Q-N-CSL 10-B08	51 011 137
LPY 50/D-V-CSL 10-B08	51 011 138
LPY 50/Q-V-CSL 10-B08	51 011 139
LPY 50/D-N-CSL 10-B12	51 011 140
LPY 50/Q-N-CSL 10-B12	51 011 141
LPY 50/D-V-CSL 10-B12	51 011 142
LPY 50/Q-V-CSL 10-B12	51 011 143

Only body codes:

Body type 50-CSL 10Y-B08	58 144 121
Body type 50-CSL 10Y-B12	58 144 122