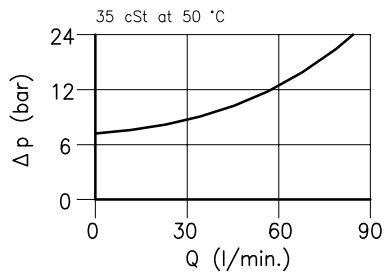
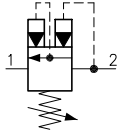


Technical features

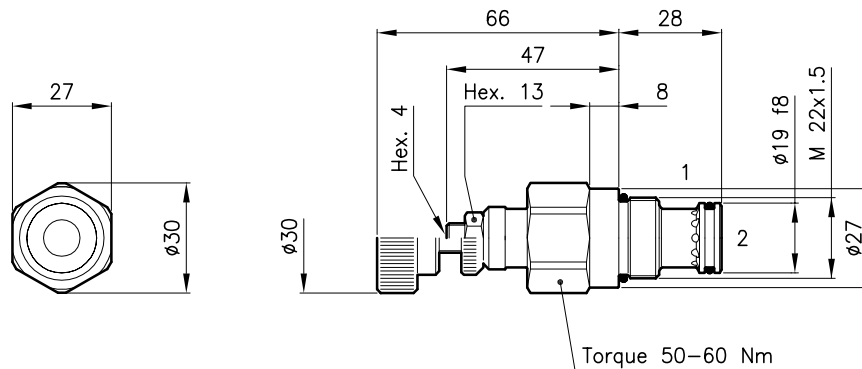
LPQ 30 valves are used to unload a line under pressure or as sequence valve. At setting pressure achievement the valve opens itself allowing the free passage with a very low pressure drop.

The valve closes when pressure falls under a 7 bar value.



Cavity	(For dimensions see catalogue 17.000)	S 30/2
Max. flow	(l/min.)	70
Max. inlet pressure	(bar)	420
Max. pressure on line 1	(bar)	210
Fluid viscosity range	(cSt)	2.8 - 380
Fluid temperature range	(°C)	-20 +80
Max. reseal pressure	(bar)	7
Max. leakage	(cm ³ /min.)	25
Mass	(kg)	0.260
Cracking pressure 95% of setting value		
Cracking pressure defined with 1 l/min.		
Hydraulic fluid; mineral oil HM and HV ISO 6074		
Recommended filtration; 19/15 ISO 4466 (25 μ absolutes)		
Standard seals in Polyurethane and Buna N		

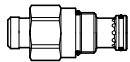
Dimensions



Ordering informations

LPQ 30/D-N

LPQ 30 = Valve type



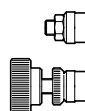
Standard springs

Type	Setting range	Factory set
D	= 14 - 210 bar	140 bar
Q	= 105 - 420 bar	315 bar

Adjustment type

N = Standard adjustment

V = Handknob adjustment



Codes:

LPQ 30/D-N	31 011 125
LPQ 30/Q-N	31 011 126
LPQ 30/D-V	31 011 127
LPQ 30/Q-V	31 011 128
External seals kit	90 620 103

LPQ 30 valves can be assembled on standard bodies 30-LO series; for dimensions see catalogue 16.010