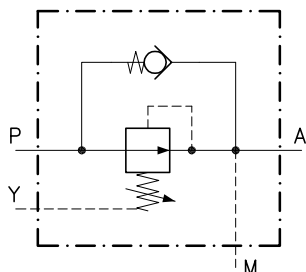
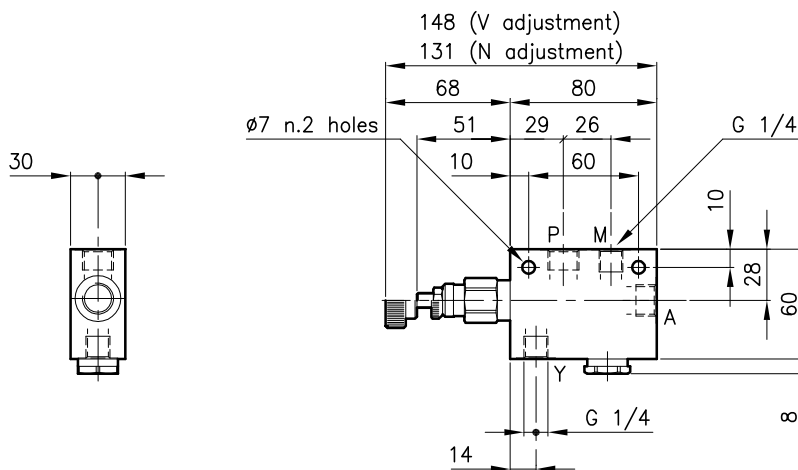


Technical features



Valves	(For features see catalogue 03.020)	RPA 20
	(For features see catalogue 05.050)	CAE 20/P
Max. flow	(l/min.)	20
Max. pressure in P	(bar)	420
Pressure setting range	(bar)	5 - 90
Fluid viscosity range	(cSt)	2.8 - 380
Fluid temperature range	(°C)	-20 +80
Mass	(kg)	0.620
Standard setting obtained with 1 l/min.		
Hydraulic fluid; mineral oil HM e HV ISO 6074		
Recommended filtration; 19/15 ISO 4466 (25 μ absolutes)		
Standard seals in Polyurethane and Buna N		

Dimensions



Ordering informations

RPA 20/D-N-CSL 11-B06

Valve type

Standard springs

Type Setting range

U = 5 - 30 bar

D = 14 - 60 bar

T = 35 - 90 bar

Adjustment type

N = Standard adjustment

V = Handknob adjustment

Version

Standard ports (P-A)

B05 = G 1/4 ISO 228

B06 = G 3/8 ISO 228

Codes:

RPA 20/U-N-CSL 11-B05	21 011 159
RPA 20/D-N-CSL 11-B05	21 011 160
RPA 20/T-N-CSL 11-B05	21 011 161
RPA 20/U-V-CSL 11-B05	21 011 162
RPA 20/D-V-CSL 11-B05	21 011 163
RPA 20/T-V-CSL 11-B05	21 011 164

RPA 20/U-N-CSL 11-B06	21 011 165
RPA 20/D-N-CSL 11-B06	21 011 166
RPA 20/T-N-CSL 11-B06	21 011 167
RPA 20/U-V-CSL 11-B06	21 011 168
RPA 20/D-V-CSL 11-B06	21 011 169
RPA 20/T-V-CSL 11-B06	21 011 170

Only body codes:

Body type 20-CSL 11-B05	28 144 114
Body type 20-CSL 11-B06	28 144 115