

# DC MOTOR FAN DRIVEN PRODUCTS

## HEAT EXCHANGERS

HEAT-EXCHANGERS



*S & SBV SERIES*

*2000K & KBV SERIES*



*HPV SERIES I*

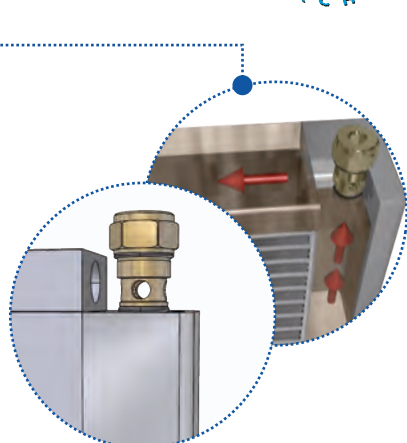


*HPH SERIES I*





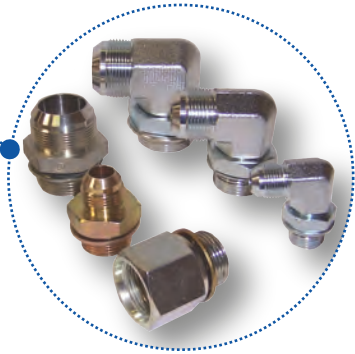
# EMMEGI Heat Exchanger Features



Built-in Bypass Valve



Heavy Duty Construction



## Oil Connections

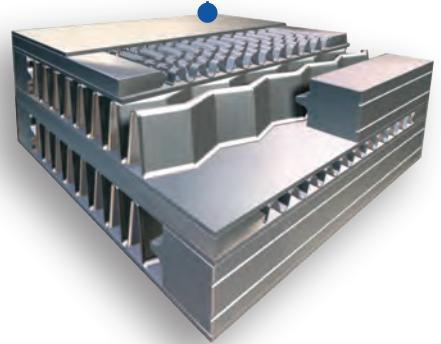
EMMEGI oil coolers are stocked with BSP Parallel thread oil connections. This allows us to draw inventory from our other Worldwide locations as needed. Product shipped from our US facility include SAE J514 37° flare adaptors. Both straight and 90° fittings are standard. A wide selection of optional types and sizes are available.

## Bar & Plate Technology

Aluminum Bar & Plate construction is the most advanced heavy duty technology available today. This design has several significant features:

- > **Compact Performance:** Up to 50% smaller than traditional fin & tube construction.
- > **Rugged Construction:** 1/4" Thick bars protect the fluid channels from damage.
- > **Serviceable:** Bars extend to fin edges allowing high pressure washing.
- > **Non-Louvered Air Fins :** Low fouling (9 Fins / inch).

Ultra-low fouling air fins optional (5 Fins / inch).



## S & SBV Series

### S Series

No Bypass Valve

### SBV Series

With 22 or 44 PSI Bypass Valve

Small to Medium Sizes

Single and Double Fan Configurations Available



## 2000K & KBV Series

### 2000K Series

No Bypass Valve

### 2000KBV Series

With 22 or 44 PSI Bypass Valve

Small to Medium Sizes

Single and Double Fan Configurations Available



## HPH & HPV Series

### HPV Series I

Vertical Mounting



Largest Sizes  
Available from Stock  
22 or 44 PSI Bypass  
Valve Standard

### HPH Series I

Horizontal Mounting



## Standard Motor Features

> High quality, long life, sealed DC motors  
> 12V and 24V motors available

> Metri-Pack wiring connections standard  
> Mating Metri-Pack electrical connector provided

## Optional Temperature Fan Controls



XT 51  
(Adjustable)



TM4 P1  
(Weatherpack  
connector)



TMR4  
(Integral relay)



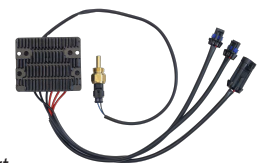
TM4 A1  
(DIN connector)



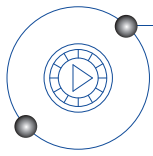
TMS4  
(Soft start)



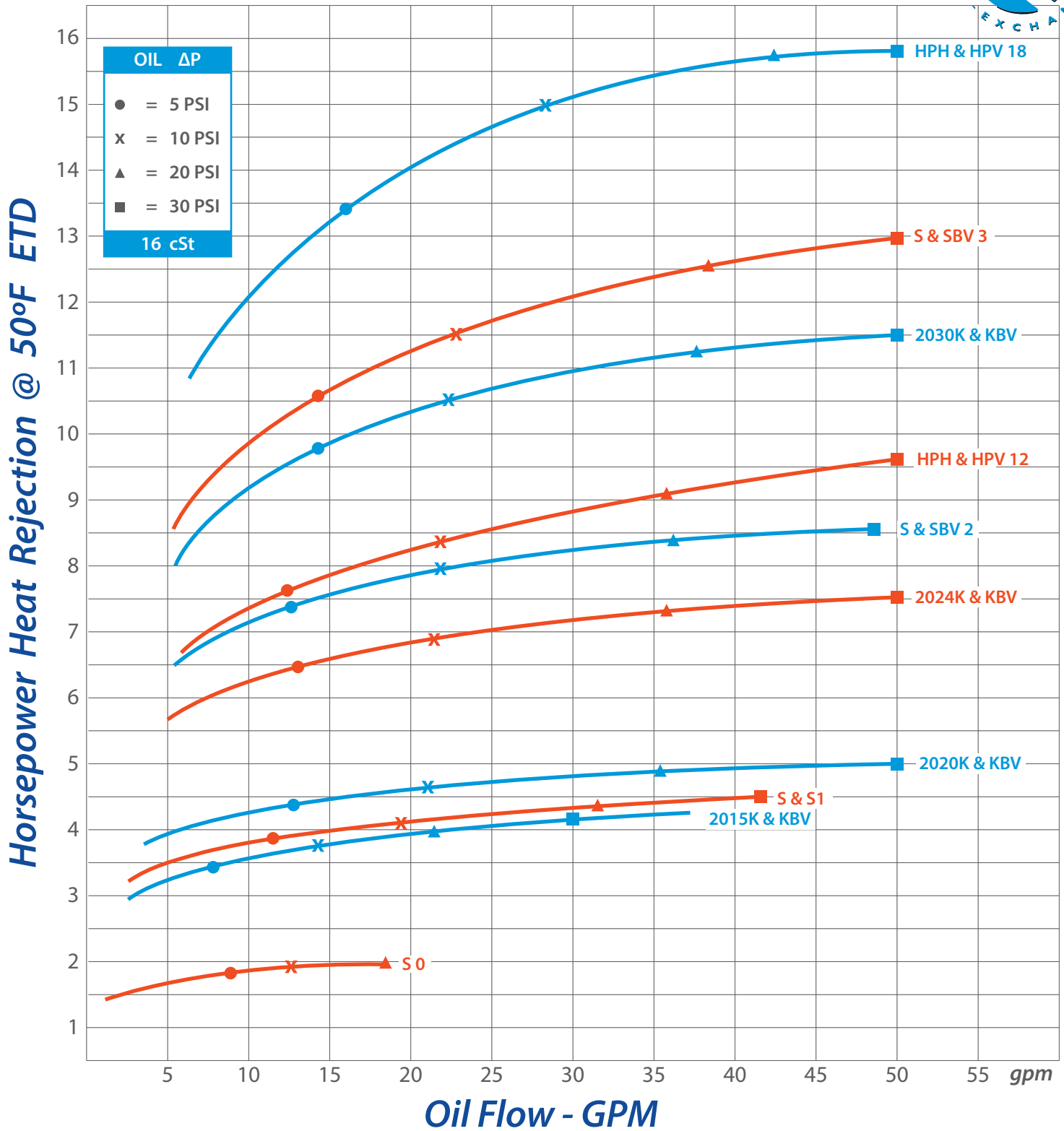
TCS  
(Single-fan, soft start,  
variable speed,  
reversing air flow)



TCS2X  
(Two-fan, soft start,  
variable speed,  
reversing air flow)

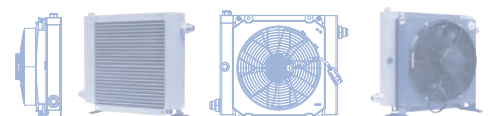


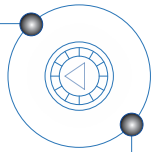
# DC Performance Data - S & SBV, 2000K & KBV, HPH & HPV



### Entering Temperature Difference

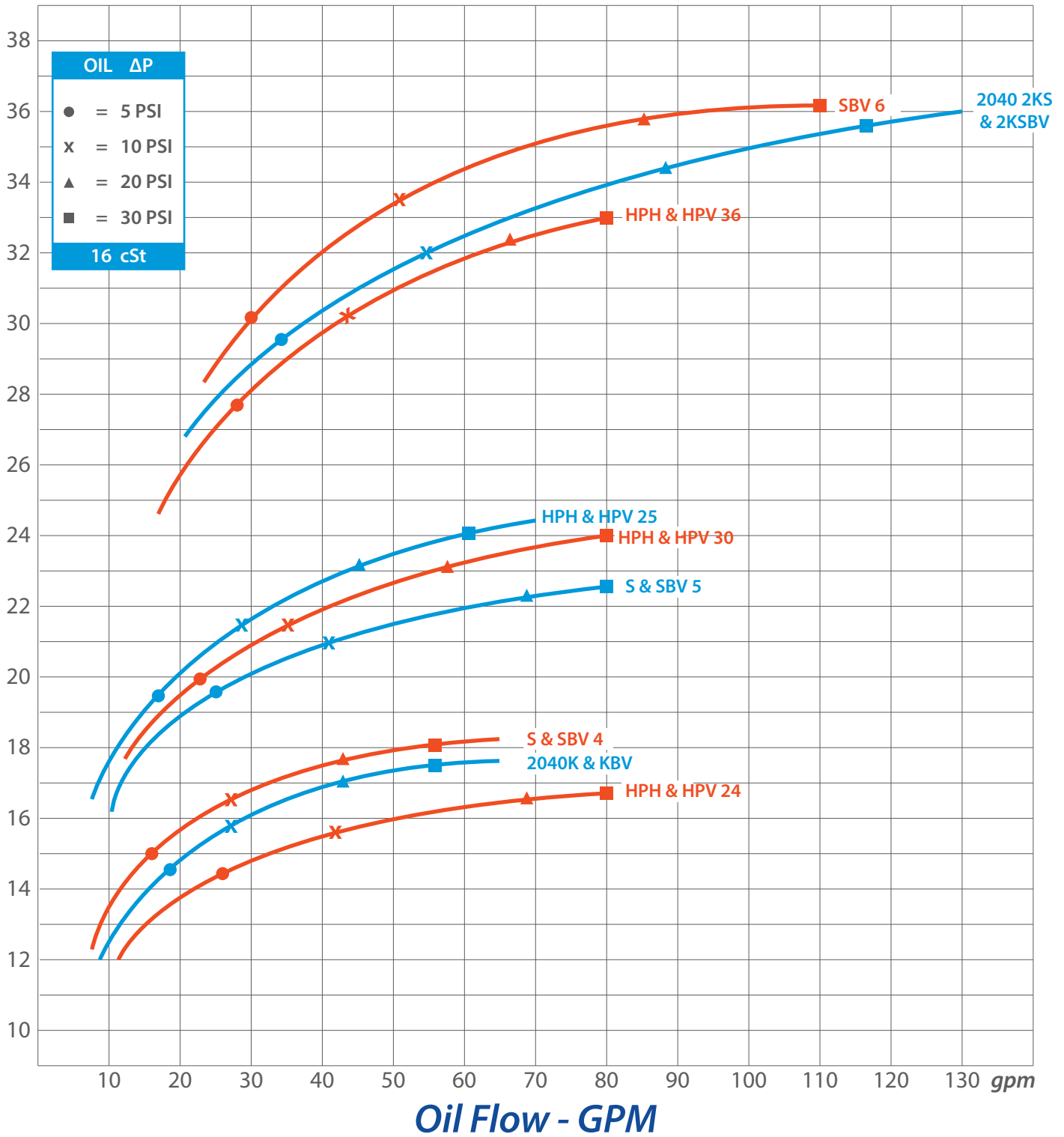
$$ETD \text{ } ^\circ\text{F} = \text{Oil Inlet Temperature } ^\circ\text{F} - \text{Air Entering Temperature } ^\circ\text{F}$$





Horsepower Heat Rejection @ 50°F ETD

HEAT-EXCHANGERS

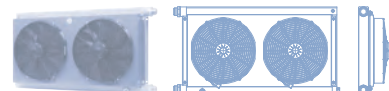


Correcting Heat Removal for Cooler Selection from Curve

$$\text{Horsepower Heat Load} \times \frac{50^\circ\text{F}}{\text{Desired ETD } ^\circ\text{F}} = \text{Corrected Horsepower Heat Removal for Curve Selection}$$

Correcting Curve to Actual Heat Removal

$$\text{Horsepower (FROM CURVE)} \times \frac{\text{Desired ETD } ^\circ\text{F}}{50^\circ\text{F}} = \text{Corrected Horsepower Heat Removal}$$

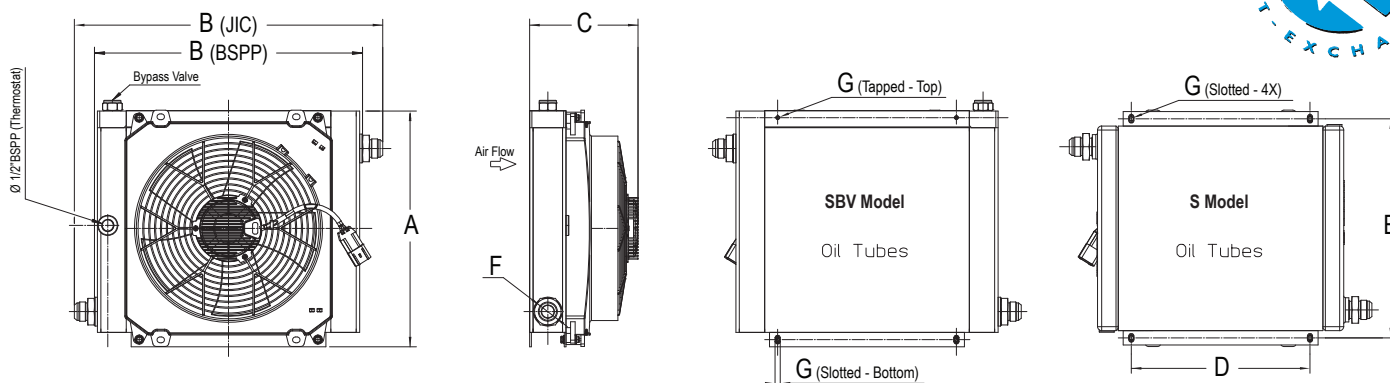




# S & SBV Series Heat Exchangers

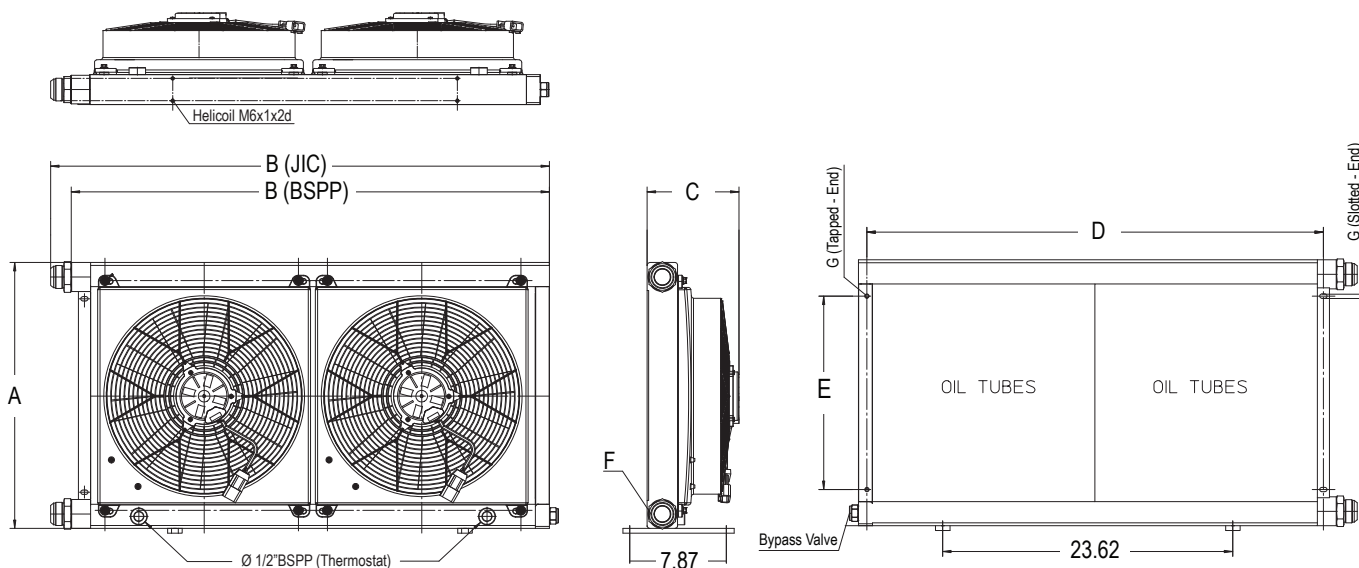


HEAT-EXCHANGERS



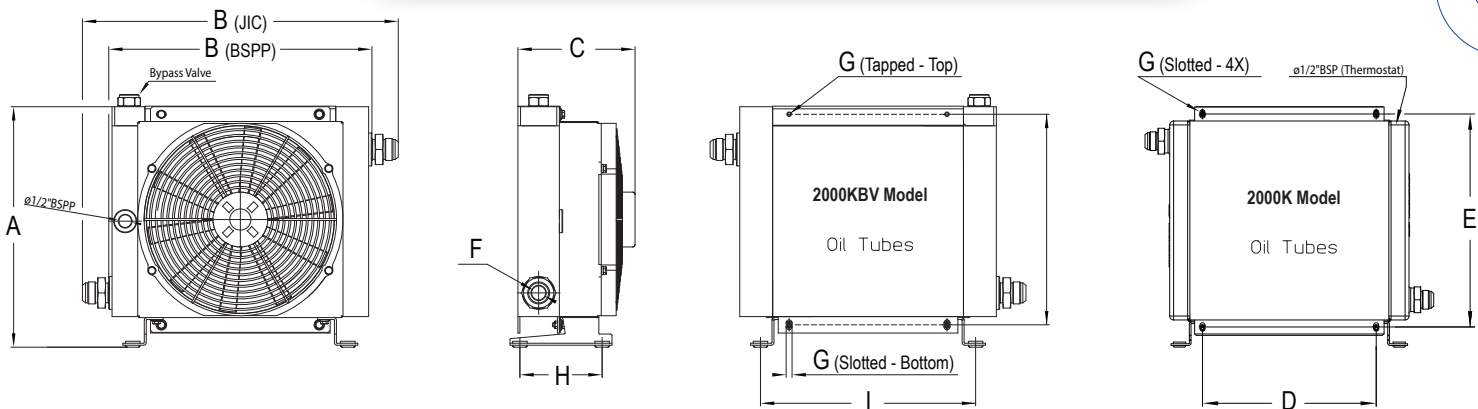
MODEL	VOLTAGE	AMP DRAW	UNIT OF MEASURE	OVERALL DIMENSIONS				MOUNTING		CONNECTIONS		G		NET WEIGHT LBS
				A	B		C	D	E		F		S	
					BSPP	JIC			S	SBV	BSPP	JIC		
S 0	12 DC	4.5	(inch)	8.27	7.16	9.28	3.83	7.75	3.94		0.5" Internal	# 8 External	0.35 x .59 (4) Slotted holes	7
	24 DC	2.3	(mm)	210	182	236	97	197	100					13
S 1	12 DC	7.5	(inch)	9.56	12.16	15.31	5.79	5.91	8.78		1" Internal	# 16 External	0.35 x .70 (4) Slotted holes	20
	24 DC	3.3	(mm)	243	309	389	147	150	223					27
S & SBV 2	12 DC	7.7	(inch)	13.50	15.74	18.90	5.82	9.44	12.40	12.61	1.25" Internal	# 20 External	0.35 x .59 (2) Slotted holes	43
	24 DC	3.4	(mm)	343	400	480	148	240	315	320				54
S & SBV 3	12 DC	15.6	(inch)	16.20	18.30	21.46	7.40	12.20	14.96	15.15	1.5" Internal	# 24 External	0.35 x .59 (2) Slotted holes	82
	24 DC	7.6	(mm)	411	465	545	188	310	380	385				
S & SBV 4	12 DC	15.2	(inch)	20.29	21.65	25.30	7.40	15.74	19.13	18.97	1.5" Internal	# 24 External	0.35 x .59 (2) Slotted holes	82
	24 DC	8.1	(mm)	515	550	643	188	400	486	482				
S & SBV 5	12 DC	19.0	(inch)	20.27	22.44	26.24	8.62	15.74	19.01	20.27	1.5" Internal	# 24 External	0.35 x .59 (2) Slotted holes	82
	24 DC	9.9	(mm)	515	570	666	219	400	483	515				

\* SBV dimensions shown unless otherwise noted. Some S models have slightly smaller overall dimensions.



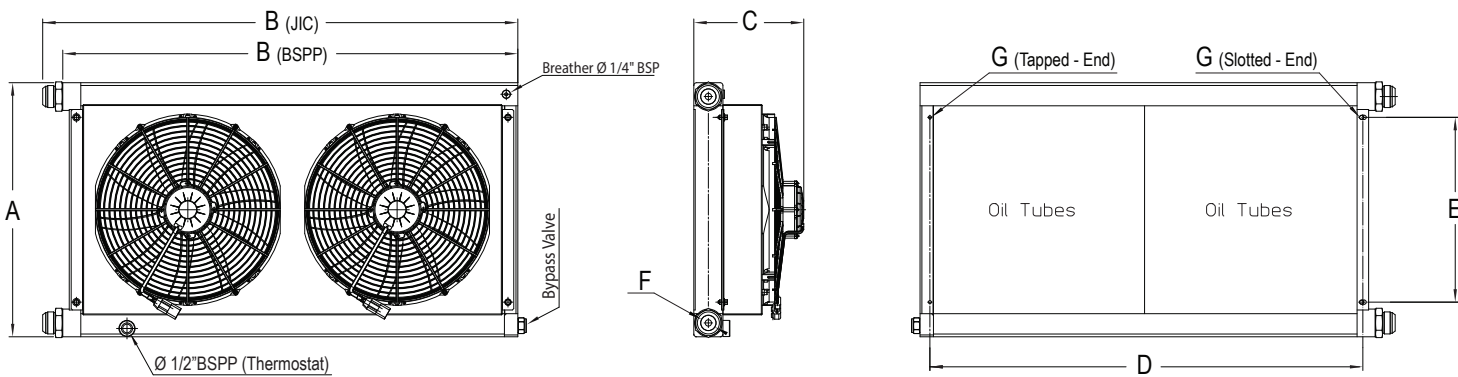
MODEL	VOLTAGE	AMP DRAW	UNIT OF MEASURE	OVERALL DIMENSIONS				MOUNTING		CONNECTIONS		G		NET WEIGHT LBS
				A	B		C	D	E		F		S	
					BSPP	JIC			S	SBV	BSPP	JIC		
SBV 6	12 DC	20.8 (x2)	(inch)	21.65	38.93	40.60	7.48	37.17	15.75		1.5" Internal	# 24 External	0.35 x .59 (2) Slotted holes	82
	24 DC	10.4 (x2)	(mm)	550	989	1031	190	944	400					M8 Helicoil (2) Tapped holes

# 2000K & KBV Series Heat Exchangers



MODEL	VOLTAGE	AMP DRAW	UNIT OF MEASURE	OVERALL DIMENSIONS			MOUNTING		CONNECTIONS		G		OPTIONAL MOUNTING FEET		NET WEIGHT LBS										
				A	B BSPP	B JIC	C	D	E		F		K	KBV		H	I								
2015K & KBV	12 DC	7.5	(inch)	11.91	12.60	15.36	6.11	7.09	10.04	10.24	1" Internal	# 16 External	0.35 x .59 (4) Slotted Holes	M6 Helicoil (2) Tapped Holes & 0.35 x .59 (2) Slotted Holes	4.92	10.91	16								
	24 DC	3.8	(mm)	303	320	390	155	180	255	260					125	277									
2020K & KBV	12 DC	7.0	(inch)	11.91	12.60	15.36	6.82	7.09	10.04	10.24					1.25" Internal	# 20 External	0.35 x .59 (4) Slotted Holes	M6 Helicoil (2) Tapped Holes & 0.35 x .59 (2) Slotted Holes	4.92	10.04	18				
	24 DC	3.5	(mm)	303	320	390	173	180	255	260									125	255					
2024K & KBV	12 DC	7.8	(inch)	14.39	14.96	18.11	7.01	9.45	12.41	12.60									1.25" Internal	# 20 External	0.35 x .59 (4) Slotted Holes	M6 Helicoil (2) Tapped Holes & 0.35 x .59 (2) Slotted Holes	4.92	12.87	25
	24 DC	3.9	(mm)	366	380	460	178	240	315	320													125	327	
2030K & KBV	12 DC	12.0	(inch)	16.75	17.52	20.28	8.58	12.21	14.96	15.16	1.25" Internal	# 20 External	0.35 x .59 (4) Slotted Holes	M6 Helicoil (2) Tapped Holes & 0.35 x .59 (2) Slotted Holes									4.92	15.43	34
	24 DC	6.0	(mm)	425	445	515	218	310	380	385													125	392	
2040K & KBV	12 DC	19.5	(inch)	20.70	21.25	24.41	9.21	15.75	19.13	18.98					1.25" Internal	# 20 External	0.35 x .59 (4) Slotted Holes	M6 Helicoil (2) Tapped Holes & 0.35 x .59 (2) Slotted Holes					4.92	19.17	48
	24 DC	9.8	(mm)	526	540	620	234	400	486	482													125	487	

\* 2000KBV dimensions shown unless otherwise noted. Some 2000K models have slightly smaller overall dimensions.

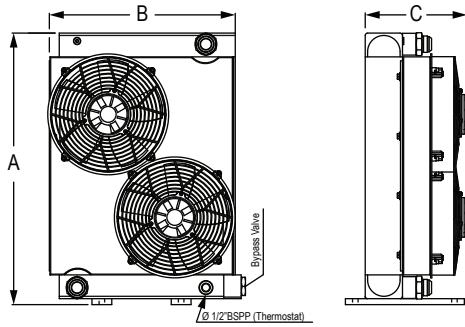


MODEL	VOLTAGE	AMP DRAW	UNIT OF MEASURE	OVERALL DIMENSIONS			MOUNTING		CONNECTIONS		G		OPTIONAL MOUNTING FEET		NET WEIGHT LBS		
				A	B BSPP	B JIC	C	D	E		F		K	KBV		H	I
2040 2KS & 2040 2KSBV	12 DC	19.5 (2x)	(inch)	21.65	38.66	40.55	9.37	36.90	15.75	15.75	1.5" Internal	# 24 External	0.35 x .59 (4) Slotted	0.35 x .59 (2) Slotted & M6 Helicoil (2) Tapped	4.92	19.17	93
	24 DC	9.8 (2x)	(mm)	550	982	1030	238	937	400	400					125	487	

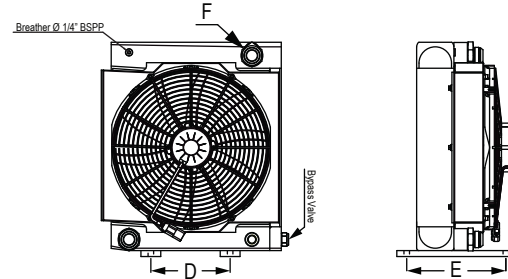
# HPH & HPV Series Heat Exchangers



## HPV 25 - 36 Models

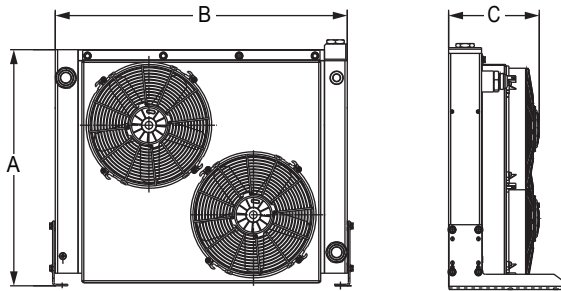


## HPV 12 - 24 Models

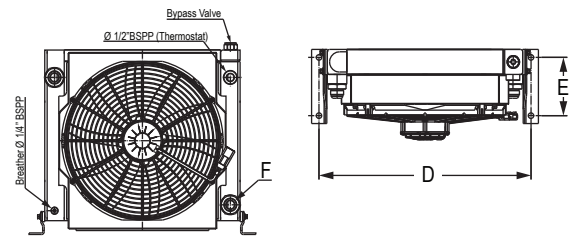


MODEL	VOLTAGE	AMP DRAW	UNIT OF MEASURE	OVERALL DIMENSIONS			MOUNTING		CONNECTIONS		NET WEIGHT LBS
				A	B	C	D	E	F		
									BSPP	JIC	
HPV 12	12 DC	12.0	(inch)	15.75	14.21	8.89	5.91	7.87	1" Internal	# 16 External	35
	24 DC	6.0	(mm)	400	361	226	150	200			41
HPV 18	12 DC	19.6	(inch)	20.08	17.88	8.98	7.87	7.87	1.25" Internal	# 20 External	50
	24 DC	9.8	(mm)	510	454	228	200	200			60
HPV 24	12 DC	19.8	(inch)	21.06	17.82	10.20	7.87	9.84	1.25" Internal	# 20 External	72
	24 DC	9.9	(mm)	535	453	259	200	250			112
HPV 25	12 DC	19.2	(inch)	25.98	23.81	9.25	15.74	7.87	1.25" Internal	# 20 External	50
	24 DC	11.2	(mm)	660	605	235	400	200			60
HPV 30	12 DC	19.8	(inch)	26.92	18.48	10.11	7.87	9.84	1.25" Internal	# 20 External	72
	24 DC	9.9	(mm)	684	469	257	200	250			112
HPV 36	12 DC	27.2	(inch)	30.91	24.08	10.20	12.21	9.84	1.25" Internal	# 20 External	50
	24 DC	13.6	(mm)	785	612	259	310	250			60

## HPH 25 - 36 Models



## HPH 12 - 24 Models

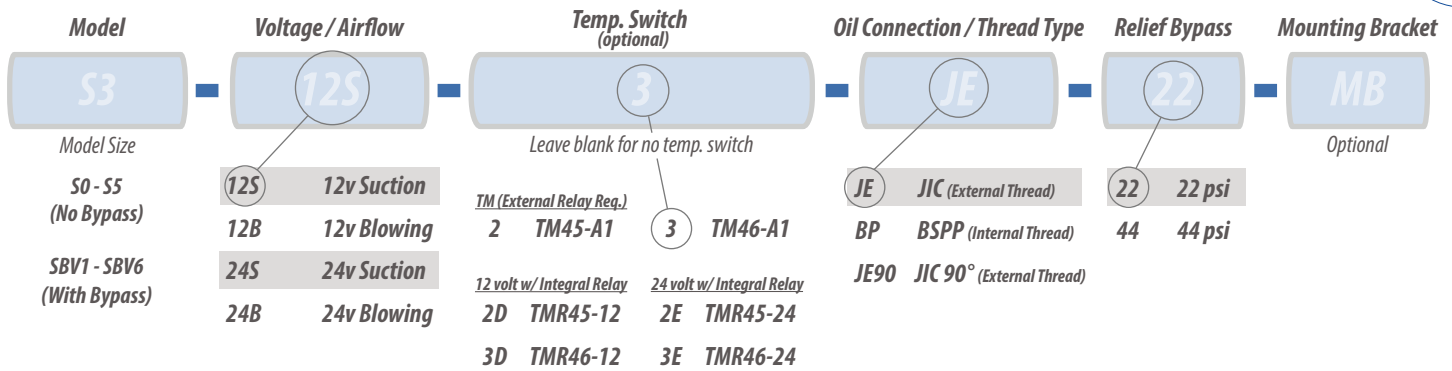
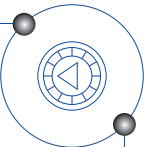


MODEL	VOLTAGE	AMP DRAW	UNIT OF MEASURE	OVERALL DIMENSIONS			MOUNTING		CONNECTIONS		NET WEIGHT LBS
				A	B	C	D	E	F		
									BSPP	JIC	
HPH 12	12 DC	12.0	(inch)	14.58	15.35	8.89	17.03	5.78	1" Internal	# 16 External	35
	24 DC	6.0	(mm)	370	390	226	433	147			41
HPH 18	12 DC	19.6	(inch)	18.30	19.68	9.01	21.36	5.78	1.25" Internal	# 20 External	50
	24 DC	9.8	(mm)	465	500	229	543	147			60
HPH 24	12 DC	19.8	(inch)	19.21	20.47	10.11	19.05	5.11	1.25" Internal	# 20 External	72
	24 DC	9.9	(mm)	488	520	257	484	130			112
HPH 25	12 DC	19.2	(inch)	24.09	25.59	9.25	27.27	5.78	1.25" Internal	# 20 External	50
	24 DC	11.2	(mm)	612	650	235	693	147			60
HPH 30	12 DC	19.8	(inch)	19.42	26.37	10.11	24.96	5.11	1.25" Internal	# 20 External	72
	24 DC	9.9	(mm)	493	670	257	634	130			112
HPH 36	12 DC	27.2	(inch)	24.40	30.31	10.20	28.89	5.11	1.25" Internal	# 20 External	50
	24 DC	13.6	(mm)	620	770	259	734	130			60

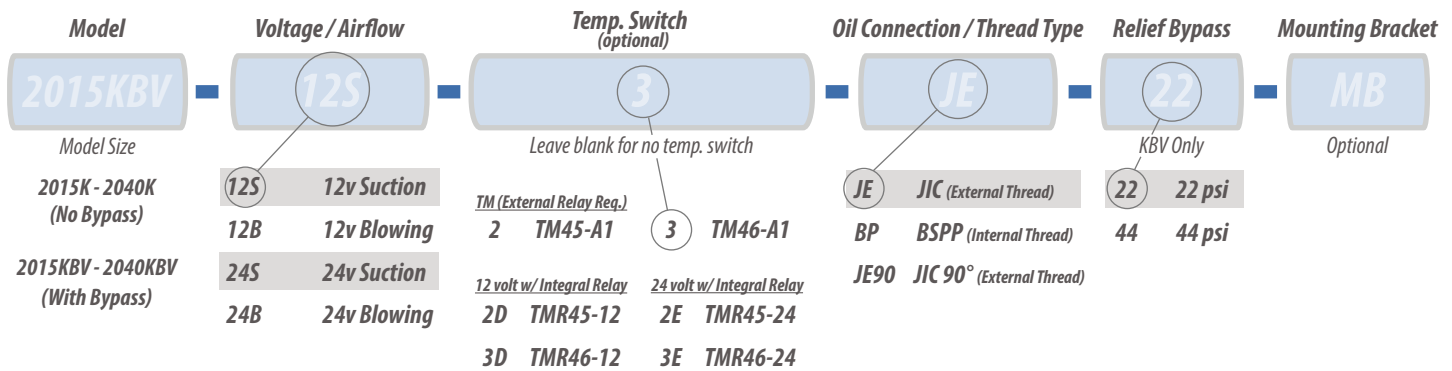
HEAT-EXCHANGERS



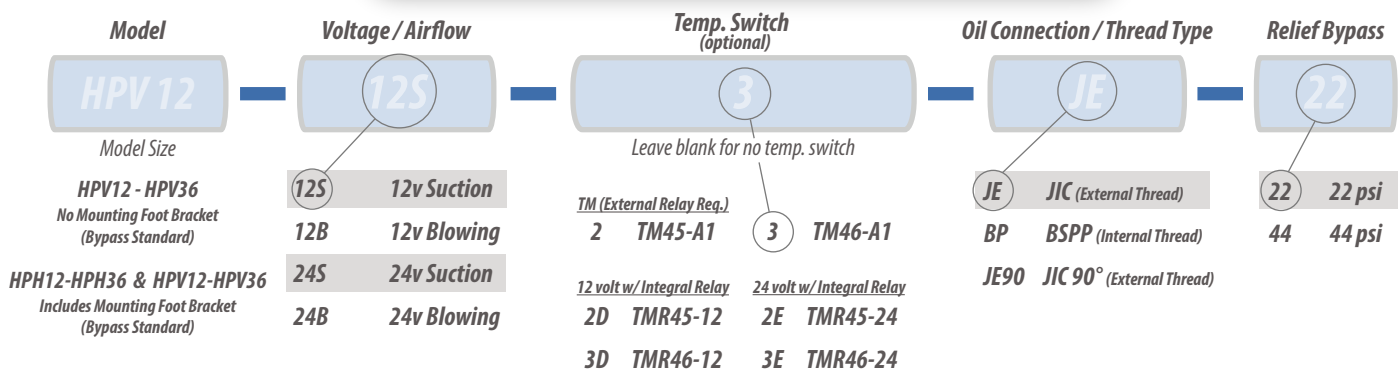
## S & SBV Series Ordering Codes



## 2000K & KBV Series Ordering Code



## HPV Series I Ordering Code



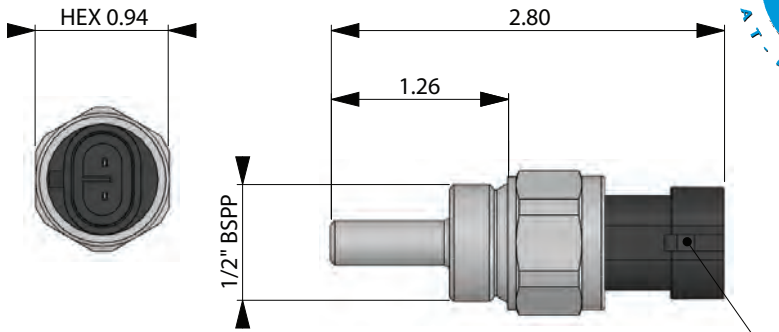
Indicates Standard Selection

## TS12-24 Temperature Sensor NTC



### Technical Data

**Termistor :** NTC  
**Termistor Coverage :** Polyamide  
**Body :** Threaded Brass  
**R (77° F) :** 10 kΩ  
**Protection Level :** IP69K  
**Working Temperature :** -40°F to 268°F  
**β (25/85) :** Any Position

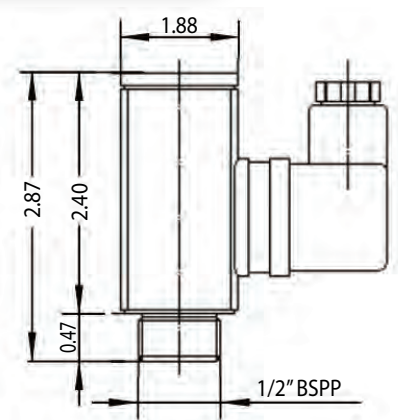
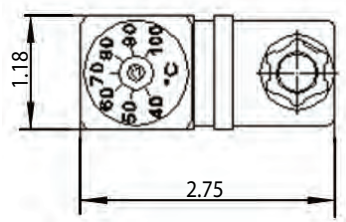


Waterproof connector type AMP SS1.5 (cod.282104-1)

## XT51 Adjustable Temperature Switch

### Technical Data

**Power Supply :** 12v - 24v  
**Temperature Range :** 104°F to 194°F  
**Working temperature :** -4°F to 248°F  
**Maximum Pressure :** 1450 PSI  
**Switching Accuracy :** ± 3°F  
**Body Material :** Brass  
**Mounting :** Any Position  
**Weight :** 0.4 lbs



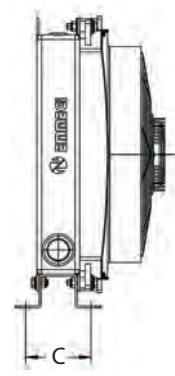
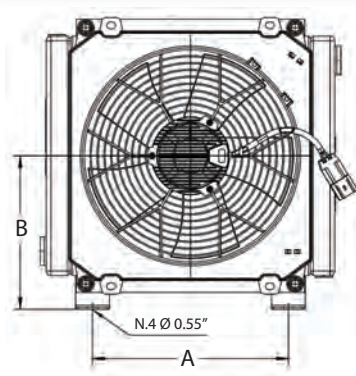
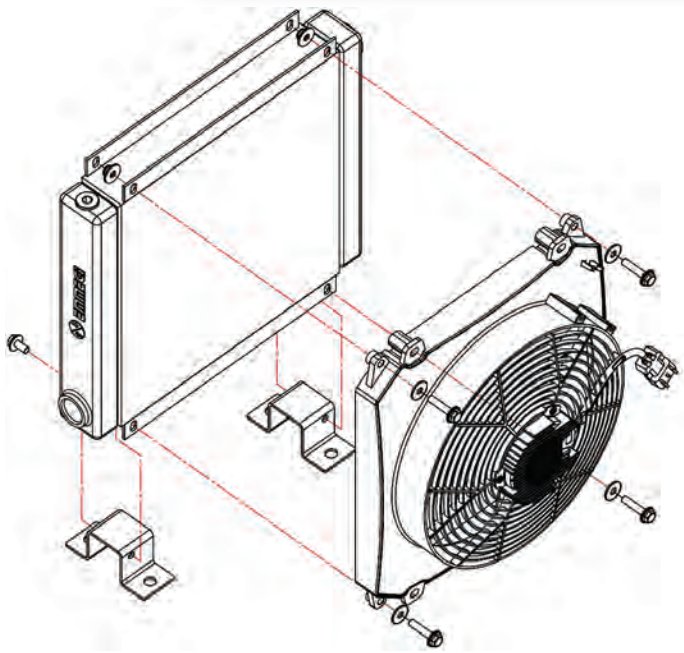
### Electrical Data

**Electrical Connections :** DIN 43650  
**Electrical Protection :** DIN 40050 IP65  
**Electrical Contact :** Normally Open  
**Maximum Contact Load :** 1.4 Amp

Part Number	Temperature Range	Ordering Code (for cooler code)
XT51 - 12	104° - 194°F	9D
XT51 - 24	104° - 194°F	9E

*Normally closed switches are available: Consult factory.*

## S & SBV Mounting Brackets (Optional)



MODEL	Dimensions			Mounting Brackets
	A	B	C	P/N
S & SBV 2	8.66	7.68	3.78	056293A
S & SBV 3	7.48	9.00	3.78	056293A
S & SBV 4	14.96	11.04	3.78	056293A
S & SBV 5	14.96	11.02	5.00	056292A

## TM4 - A1 Temperature Control

### Bimetallic Monocontact Thermo-Switch Series TM4 - A1

TM4 - A1 Series close on rise when the fluid temperature exceeds the higher set point ( turning the fan on ) and they re-open at the lower set point ( Turning the fan off ).

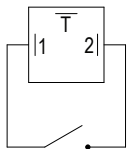
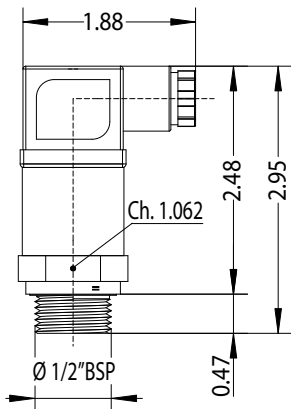
The 22° F hysteresis prevents the fan from over-cycling. The top of the switch may be rotated in 90° increments for ease of wiring.

#### Technical Data

**Power Supply :** 12v - 24v - 230v  
**Working temperature :** -4°F to 248°F  
**Maximum Pressure :** 2900 PSI  
**Switching Accuracy :** ± 7°F  
**Body Material :** Brass  
**Mounting :** Any Position  
**Weight :** 02.5 oz

#### Electrical Data

**Electrical Connections :** Metripack 280  
**Electrical Protection :** DIN 40050 IP65  
**Electrical Contact :** Normally Open  
**Maximum Contact Load :** 12v 10 Amp  
 24v 5 Amp  
 115v 10 Amp  
 230v 15 Amp



Part Number	Temperature Range	Ordering Code (for cooler code)
TM 44 - A1	104 - 82°F	1
TM 45 - A1	122 - 100°F	2
TM 46 - A1	140 - 118°F	3
TM 47 - A1	158 - 136°F	4
TM 48 - A1	176 - 154°F	5
TM 49 - A1	194 - 172°F	6

Normally closed switches are available: Consult factory.

## TM4 - P1 Pre-Wired Temperature Switch

### Bimetallic Monocontact Thermo-Switch Series TM4 - P1

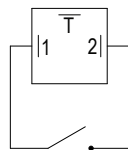
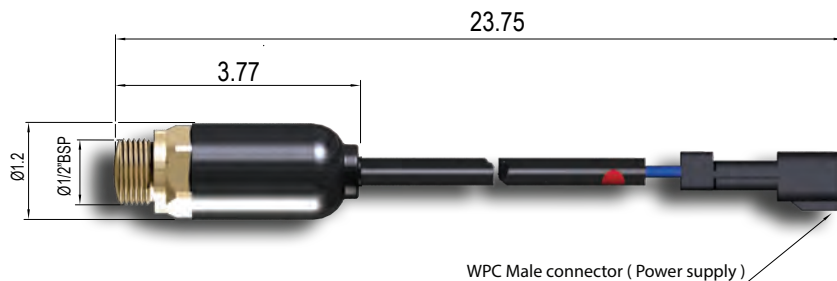
The TM4 - P1 series allows the closing of an electrical contact when the fluid temperature exceeds the set-point value of the thermostatic switch.

#### Technical Data

**Power Supply :** 12v - 24v  
**Working temperature :** -4°F to 248°F  
**Maximum Pressure :** 2900 PSI  
**Fixed Hysteresis Value :** About 22°F  
**Switching Accuracy :** ± 7°F  
**Power Supply Cord Length :** 23.75"  
**Body Material :** Brass  
**Mounting :** Any Position  
**Weight :** 2.8 oz

#### Electrical Data

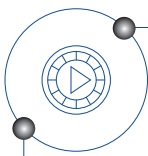
**Electrical Connections :** Metripack 280  
**Positive :** (A) Brown Wire  
**Negative :** (B) Blue Wire  
**Electrical Protection :** IP 67  
**Electrical Contact :** Normally Open  
**Maximum Contact Load :** 12v - 24v 8 Amp



Part Number	Temperature Range	Ordering Code (for cooler code)
TM45 - P1	122°F - 100°F	2B
TM46 - P1	140°F - 118°F	3B

Other Temperature settings Available. Consult Factory





# TMS 4 Temperature Switch with Soft Start



## Technical Data

Power Supply : 12v - 24v  
 Working temperature : -4°F to 212°F  
 Maximum Pressure : 2900 PSI  
 Fixed Hysteresis Value : About 9°F  
 Switching Accuracy : ± 7°F  
 Body Material : Anodized Aluminium / Brass  
 Mounting : Any Position  
 Weight : 0.77 lbs

## Electrical Data

Electrical Protection : IP 67  
 Electrical Contact : Normally Open  
 Maximum Contact Load : 25 Amp

Part Number	Temperature Setting	Ordering Code (for cooler code)
TMS 104-25	104°F	7C
TMS 122-105	122°F	8C
TMS 140-25	140°F	9C
TMS 176-25	176°F	10C
TMS 194-25	194°F	11C

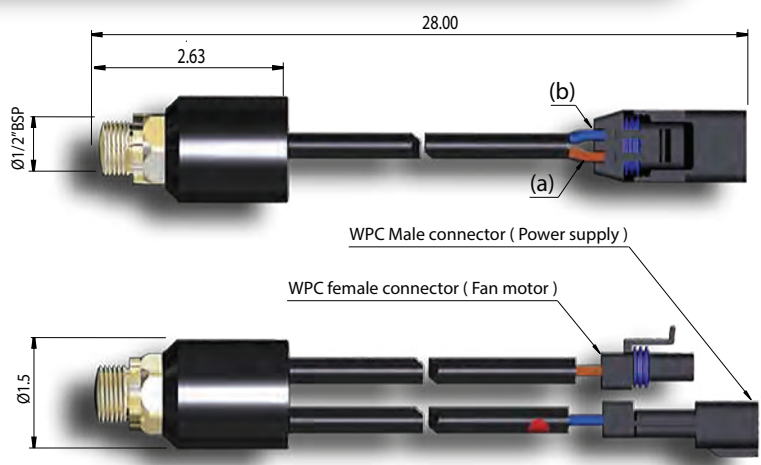


**NOTE:** In order to protect the thermostat from polarity reversion it is important to put a fuse in the power line

# TMR Temperature Switch With Integrated Relay

## Technical Data

Power Supply : 12v - 24v  
 Working temperature : -4°F to 248°F  
 Maximum Pressure : 2900 PSI  
 Fixed Hysteresis Value : About 22°F  
 Switching Accuracy : ± 7°F  
 Power Supply Cord Length : 28"  
 Fan Motor Cord Length : 28"  
 Body Material : Brass  
 Mounting : Any Position  
 Weight : 0.6 lbs



The supply includes a longer female connector for the power supply connection

## Electrical Data

Electrical Connections : Metripack 280  
 Positive : (A) Brown Wire  
 Negative : (B) Blue Wire  
 Electrical Protection : IP 67  
 Electrical Contact : Normally Open  
 Approvals : CE  
 Maximum Contact Load : TMR 4X 30 Amp  
                                   TMR 5X 40 Amp

Part Number	Temperature Range	Volts	Ordering Code (for cooler code)	Max Contact Load
TMR 45 - 12	122°F - 104°F	12	2D	30 Amp
TMR 45 - 24	122°F - 104°F	24	2E	
TMR 46 - 12	140°F - 122°F	12	3D	
TMR 46 - 24	140°F - 122°F	24	3E	
TMR 48 - 12	176°F - 154°F	12	5D	
TMR 48 - 24	176°F - 154°F	24	5E	40 Amp
TMR 49 - 24	194°F - 176°F	24	6D	
TMR 55 - 12	122°F - 104°F	12	7D	
TMR 56 - 12	140°F - 122°F	12	8D	

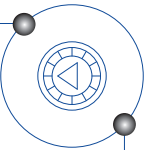
Other Temperature settings Available. Consult Factory

# TCS Single-Fan Temperature Controller

▶ **Soft Start**

▶ **Variable Speed**

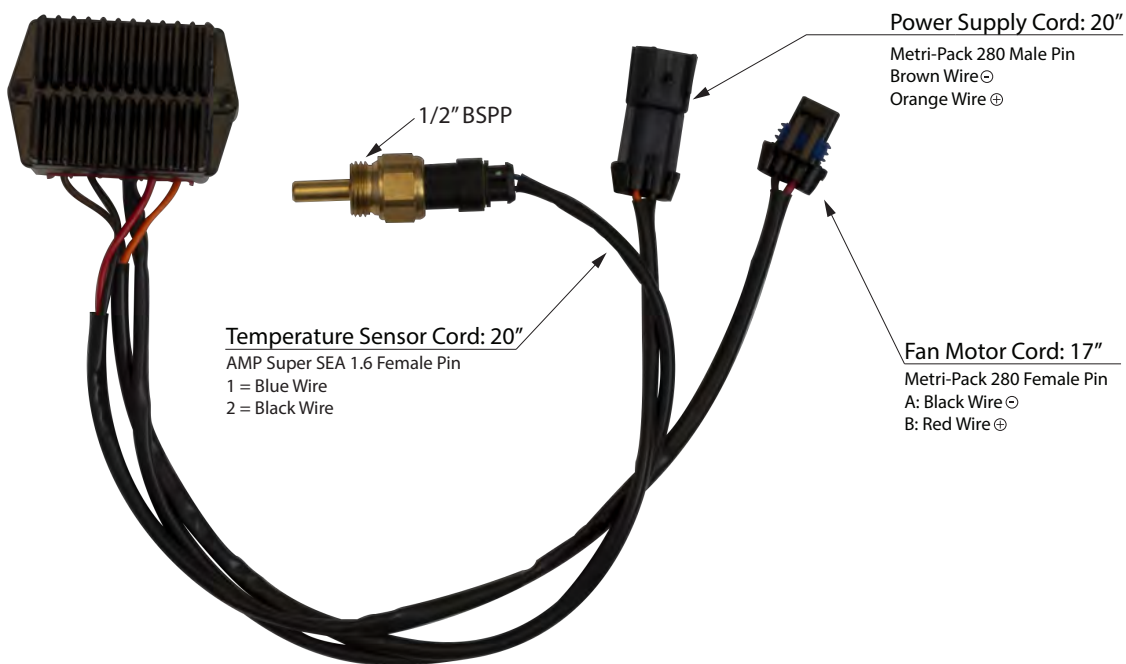
▶ **Reversing Air Flow**



The TCS Temperature Controller incorporates soft start, variable speed, and automatic fan reversing features into a plug-and-play package pre-wired for connection to fan motors.

## Operation Features:

- > Controls fans to operate at variable speed between 104°F and 140°F
- > Soft-start reduces in-rush amp draw to max. 10% over operating current
- > SVR feature reverses fan air flow 3x per hour to blow out debris
- > 10,000 hour life at 185°F operating temp. to over 40,000 hours depending on conditions
- > Protected against reversed polarity to the power supply line
- > Mating Metri-Pack connector included



## Electrical Data

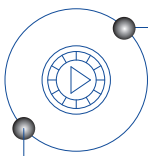
**Electrical Protection :** IP67  
**Electrical Contact :** Normally Open  
**Approvals :** CE  
**Maximum Contact Load :** 25 Amp

## Technical Data

**Power Supply :** 12v - 24v  
**Working temperature :** -4°F to 185°F  
**Maximum Pressure :** 2900 PSI  
**Switching Accuracy :** ± 3.6°F  
**Body Material :** Anodized Aluminium  
**Mounting Holes:** 2x 0.21"  
**Mounting :** Any Position  
**Weight :** 0.55 lbs  
**Box Size:** 3.39 x 2.20 x 1.38

Assembly Part Number	Description
TCS-104-140-SV	12V & 24V soft start with variable speed from 104°F to 140°F
TCS-104-140-SVR	12V & 24V soft start with variable speed from 104°F to 140°F with fan reversing
Component Part Number	Description
TC-104-140-SV	Controller Only
TC-104-140-SVR	Controller Only
TCS12-24	1/2" BSPP temperature sensor used with all controllers
TCS Connector	Incoming power and ground electrical connector for TCS controllers

HEAT-EXCHANGERS



# TCS2X Two-Fan Temperature Controller



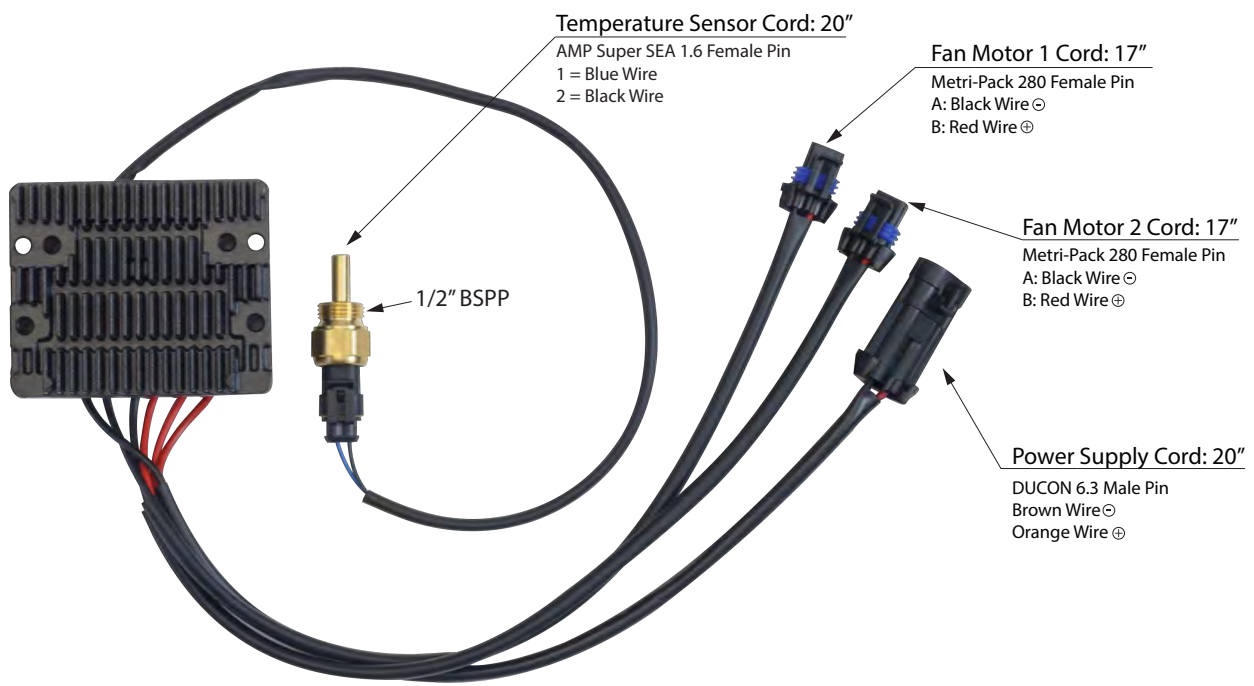
▶ **Soft Start**

▶ **Variable Speed**

The TCS Temperature Controller incorporates soft start, variable speed features into a plug-and-play package pre-wired for connection to fan motors.

**Operation Features:**

- > Controls fans to operate at variable speed between 104°F and 140°F
- > Soft-start reduces in-rush amp draw to max. 10% over operating current
- > 10,000 hour life at 185°F operating temp. to over 40,000 hours depending on conditions
- > Protected against reversed polarity to the power supply line
- > Mating DUCON connector included



**HEAT-EXCHANGERS**

**Electrical Data**

Electrical Protection : IP67  
 Electrical Contact : Normally Open  
 Approvals : CE  
 Maximum Contact Load : 50 Amp (25A / Channel)

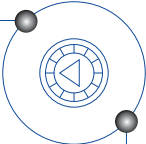
**Technical Data**

Power Supply : 12v - 24v  
 Working temperature : -4°F to 185°F  
 Maximum Pressure : 2900 PSI  
 Switching Accuracy : ± 3.6°F  
 Body Material : Anodized Aluminium  
 Mounting Holes: 4x 0.26"  
 Mounting : Any Position  
 Weight : 0.55 lbs  
 Box Size: 4.45 x 3.68 x 1.75

Assembly Part Number	Description
TCS2X12-104-140-SV	12V Two-Fan controller soft start with variable speed from 104°F to 140°F
TCS2X24-104-140-SV	24V Two-Fan controller soft start with variable speed from 104°F to 140°F
Component Part Number	Description
TC2X12-104-140-SV	Controller Only
TC2X24-104-140-SV	Controller Only
TCS12-24	1/2" BSPP temperature sensor used with all controllers
TCS Connector	Incoming power and ground electrical connector for TCS2X controllers



# Product Lines



## AC Fan Driven



**2000K & KBV AC Motors**  
Heat Removals to 16 HP.  
Optional Internal Bypass Valve.  
Totally Enclosed Motors.  
Oil Flows to 50 GPM.



**HPV Series I AC Motors**  
Heat Removals to 70 HP.  
Internal Bypass Valve Standard.  
Totally Enclosed Motors.  
Oil Flows to 100 GPM.



**HPV Series II AC Motors**  
Heat Removals to 265 HP.  
Internal Bypass Valve Standard.  
Totally Enclosed Motors.  
Oil Flows to 350 GPM.

## DC Fan Driven



**2000K & KBV DC Motors**  
Heat Removals to 35 HP.  
Optional Internal Bypass Valve.  
Oil Flows to 125 GPM.



**HPV Series DC Motors**  
Heat Removals to 36 HP.  
Internal Bypass Valve Standard.  
Oil Flows to 80 GPM.



**S & SBV Series DC Motors**  
Heat Removals to 38 HP.  
Optional Internal Bypass Valve.  
Oil Flows to 100 GPM.

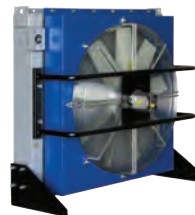
## Hydraulic Fan Driven



**2000K & KBV Hydraulic Motors**  
Heat Removals to 30 HP.  
Optional Internal Bypass Valve.  
Wide range of Hydraulic Motor Displacements available.  
Oil Flows to 50 GPM.



**HPV Series I Hydraulic Motors**  
Heat Removals to 130 HP.  
Internal Bypass Valve Standard.  
Oil Flows to 100 GPM.



**HPV Series II Hydraulic Motors**  
Heat Removals to 300 HP.  
Optional Internal Bypass Valve.  
Oil Flows to 350 GPM.

## Cooling Systems



**Silent Evo II**  
Off-line cooling systems with oil cooler & recirculation.  
Pump heat removals to 60 HP.



**RID Series**  
Gearbox cooling systems with oil cooler, recirculation pump & filter  
heat removals to 25 HP.



**HPA TK**  
Combination reservoir, oil cooler, & suction filter.  
Ideal for closed loop hydrostatic cooling.

## Water / Oil



**WB Series Water/Oil**  
Stainless steel Water/Oil Coolers.  
Compact water saving design.  
Heat Removals to 360 HP.  
Oil Flows to 200 GPM.



**MG Series Water/Oil**  
Sea Water duty shell & tube heat exchangers.  
Corrosion resistant copper-nickel cooling tubes & bronze end bonnets.



**Water Modulating Valves**  
Control water flow through Water/Oil heat exchangers to maintain desired oil temperatures.  
No external input required.

## Accessories



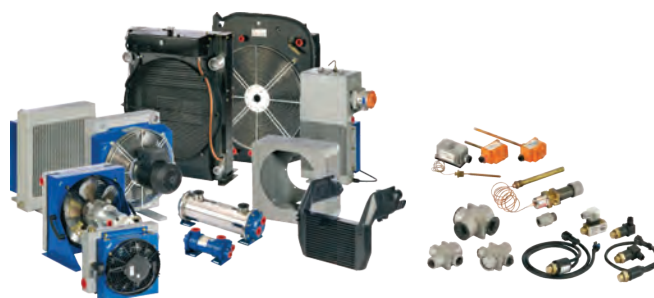
**AC Temperature Switches**  
Cycle cooling fan to maintain desired temperatures.  
Fixed & adjustable designs available.



**DC Temperature Switches**  
12v & 24v Models.  
TMR Switches are prewired & include relay for plug & play operation.



**Thermostatic Valves**  
Modulating valves bypass oil during cold startup.  
#8 through #24 sizes available.



## Sales Network



### USA

EMMEGI HEAT EXCHANGERS Inc.

3606 E. Southern Ave. Suite 2  
Phoenix, AZ 85040 USA  
Ph. + 1 602 438 7101  
Fax + 1 602 438 7127  
www.emmegiinc.com  
sales@emmegiinc.com



### SLOVAKIA

EMMEGI HEAT EXCHANGERS s.r.o.

Ul. M.Razusa 1  
95514 Topolcany  
Ph. + 421 385320739  
Fax + 421 385320742  
www.emmegi-heat-exchangers.com  
sro@emmegi-heat-exchangers.com



### SWEDEN / FINLAND

EMMEGI HEAT EXCHANGERS  
NORDIC AB.

Viaduktgatan 8  
SE 341 32 Ljungby  
Ph. + 46 372-864 90  
www.emmeginordic.se  
info@emmeginordic.se



### TURKEY

EMMEGI HEAT EXCHANGERS TERMAL  
SISTEMLER SANAYI VE TICARET Ltd.şti

Ataşehir Mah. 8229/2 Sokak No:12  
Odin İş Merkezi Çiğli- İzmir/ Turkey  
Ph.+ 90 232 449 4244  
Fax + 90 530 392 7636  
www.emmegi-turkey.com  
kudret@emmegi-turkey.com



### UK

EMMEGI HEAT EXCHANGERS UK Ltd.

Unit 820 Jupiter Court Meteor Business Park  
Cheltenham Road Gloucester  
GL2 9QW  
Ph. + 44 01452 540130  
Fax + 44 07825 278394  
www.emmegi.co.uk  
jqigly@emmegi.co.uk

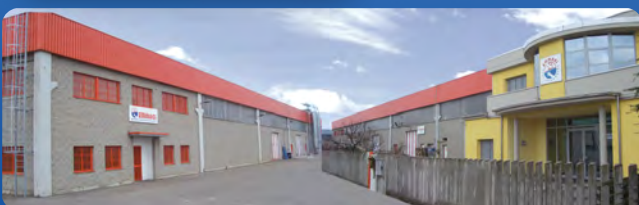


### GERMANY

EMMEGI GmbH

Philipp-Reis-Straße 2  
41516 Grevenbroich-Kapellen  
Ph. + 49 02182-570 18-0  
Fax + 49 02182-570 18-29  
http://www.emmegi-gmbh.de

## Headquarters



### ITALIA

EMMEGI S.p.A.

Via Newton,52 - Zona Industriale  
20062 Cassano d'Adda (MI) - Italy  
Tel. +39 0363 360236 - Fax + 39 0363 360230  
http://www.emmegi-heat-exchangers.com  
info@emmegi-heat-exchangers.com

