

## Vent Valve

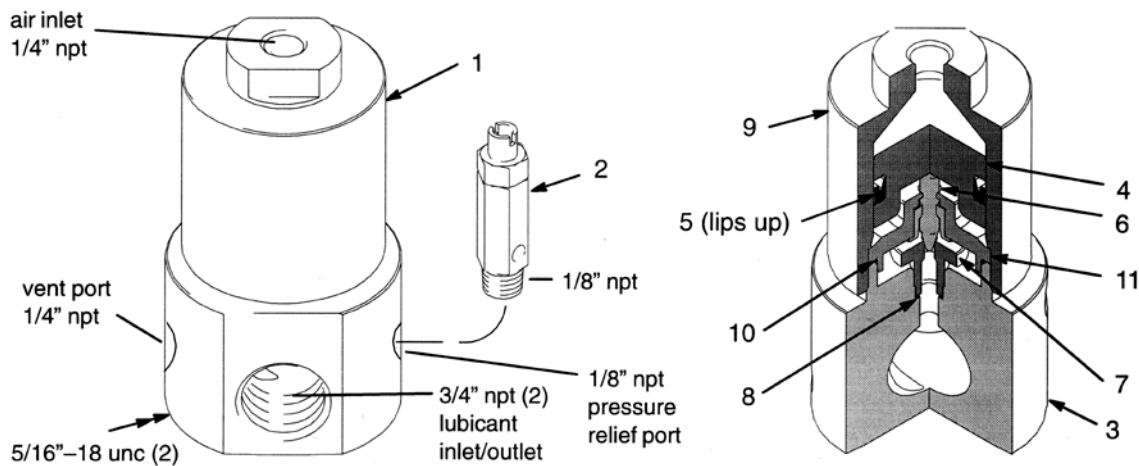
- Maximum hydraulic pressure: 103 bar
- Maximum lubricant pressure: 262 bar
- Hydraulic pressure required to seal valve with 241 bar lubricant pressure: 14 bar
- Recommended fluids: lubricant NLGI grade 1 or lighter
- Dimensions: 159 x 57 mm
- Air powered wetted parts: carbon steel, aluminium, Buna-N
- Fluid-side wetted parts: carbon steel, Viton.



### Warning

To prevent over pressurization, a pressure relief valve 3294041 must be used in conjunction with all vent valves.

**3094059**



Item	Description	Part. No.	Q.ty
1	Vent valve	3094059	1
2	Pressure relief valve	3294041	1
3	Vent valve body		1
4	Piston	3101078	1
5*	Air piston packing (lips up)	3190419	1
6*	Needle	3001259	1
7*	Valve seat	3016120	1
8*	Check seat gasket	3190421	1
9	Air cylinder	3113158	1
10*	O-ring	3190425	1
11*	Packing retainer	3132189	1

\* Included in vent valve repair kit 3132475

Distributor Info: