

CHARACTERISTICS

- REMOTE MONITORING WITH WI-FI OR 3G
- GREASE NLGI 2
- MODULAR SYSTEM
- TEMPERATURE -25 °C + 45°C.
- MORE THAN 6000 METERS OF AREA LUBRICATION

Track-Lube

The DropsA lubrication system for the rail curve

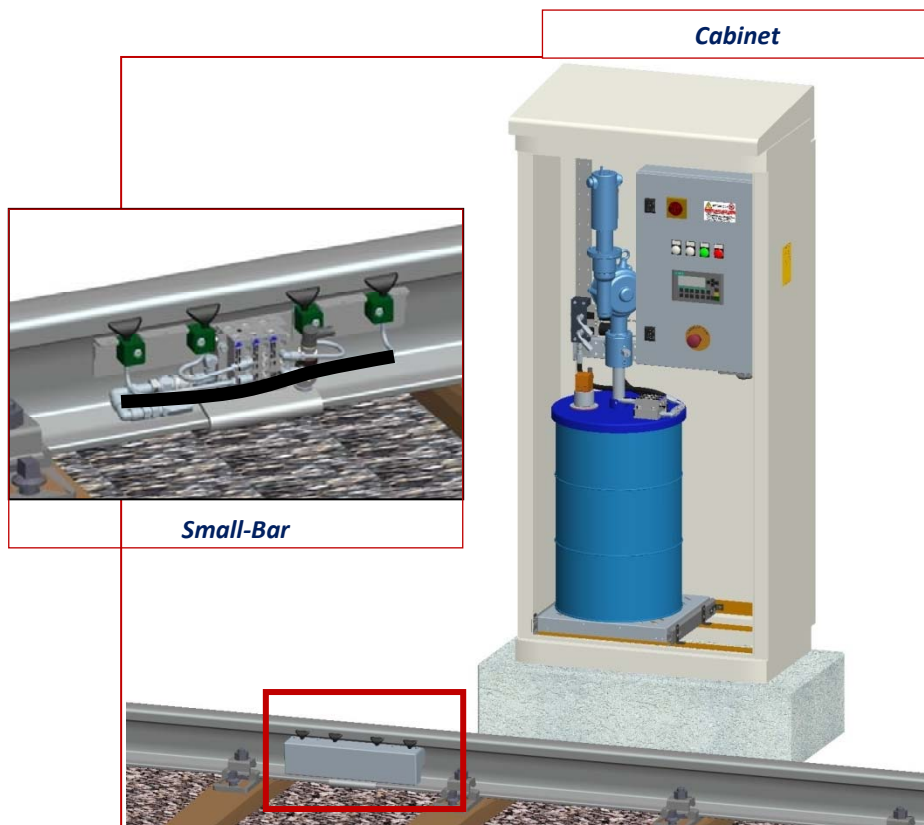
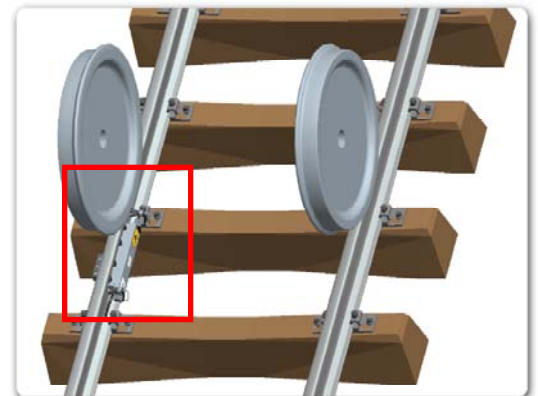
TRACK-LUBE is designed to lubricate the rail curve for winding track.

Thanks to our modular system it can be expanded up to **12 small-bars**, allowing to cover more than **6000 meters** of rail lubrication.

Whole system can be comfortably **monitored** from remote devices, thanks to a 3G card or **WI-FI**.

The system is composed by two main elements:

- **Cabinet:** with control panel and an electric pump
- **Small-Bar:** (with 4 outlets dispenser)

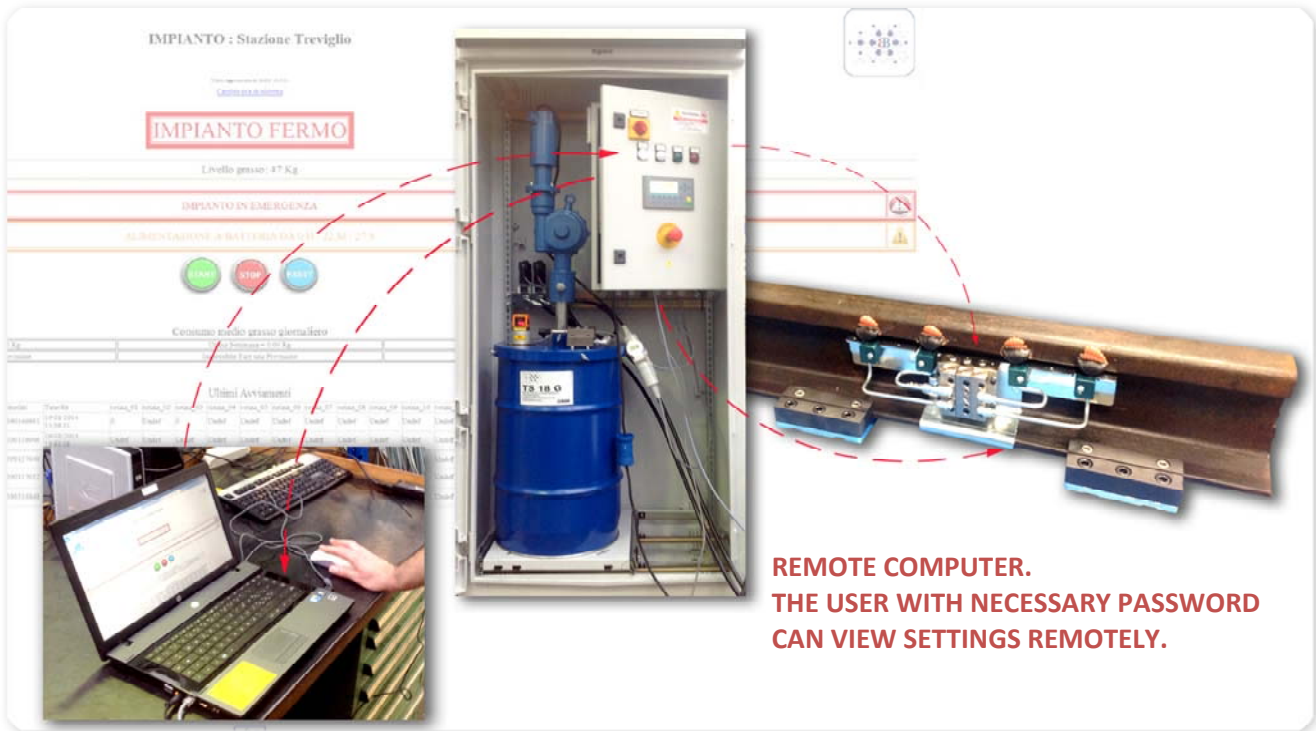


OPERATING PRINCIPLE

The vibrations created by the passage of the train are detected by the sensor on **SMALL-BAR** that sends the signal to the control panel, marking the start of the lubrication cycle.

The pump is activated and the lubricant passes through the **SMX distributor** with cycle switch, managed by the control panel so the correct amount of grease is sent to the **SMALL-BARS** or, in succession, to more **SMALL-BAR** units.

A laser level constantly monitors the remaining amount of grease present in the drum. An integrated by-pass protects against overpressure, discharging residual pressure into the drum.



The TRACK-LUBE has many functions, briefly listed below:

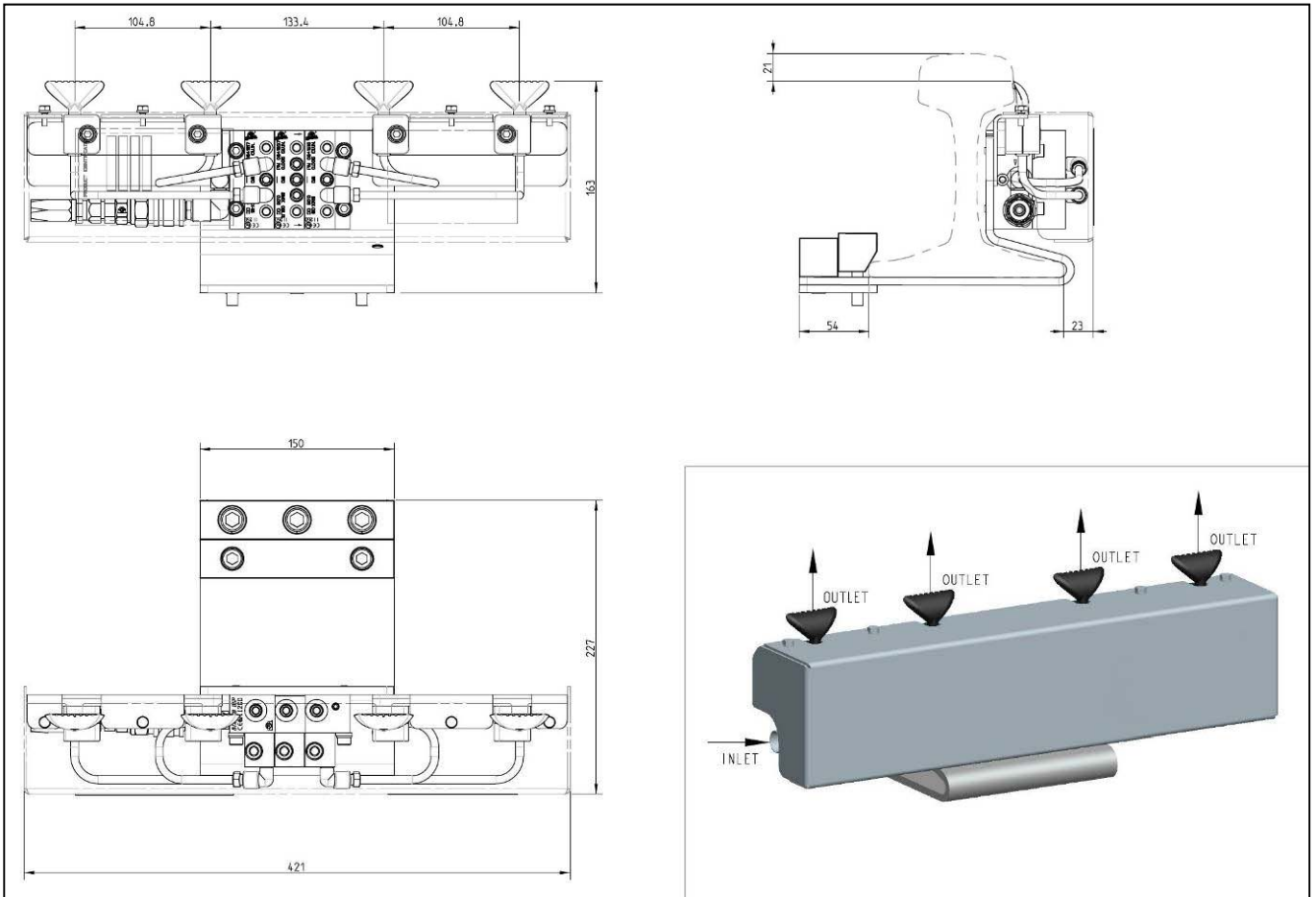
- LCD panel for diagnosing and monitoring the system status, and for changing the parameters of the entire system.
- Setting the quantity of grease to be supplied to each individual area.
- Lubricant level measurement with laser sensor and level display on the LCD panel; or on web page (OPTIONAL).
- Remote control via e-mail indicating any interruption of operation, including a battery backup in case of power supply failure.
- Ready for connection and control online via web page.

THECNICAL CHARACTERISTICS

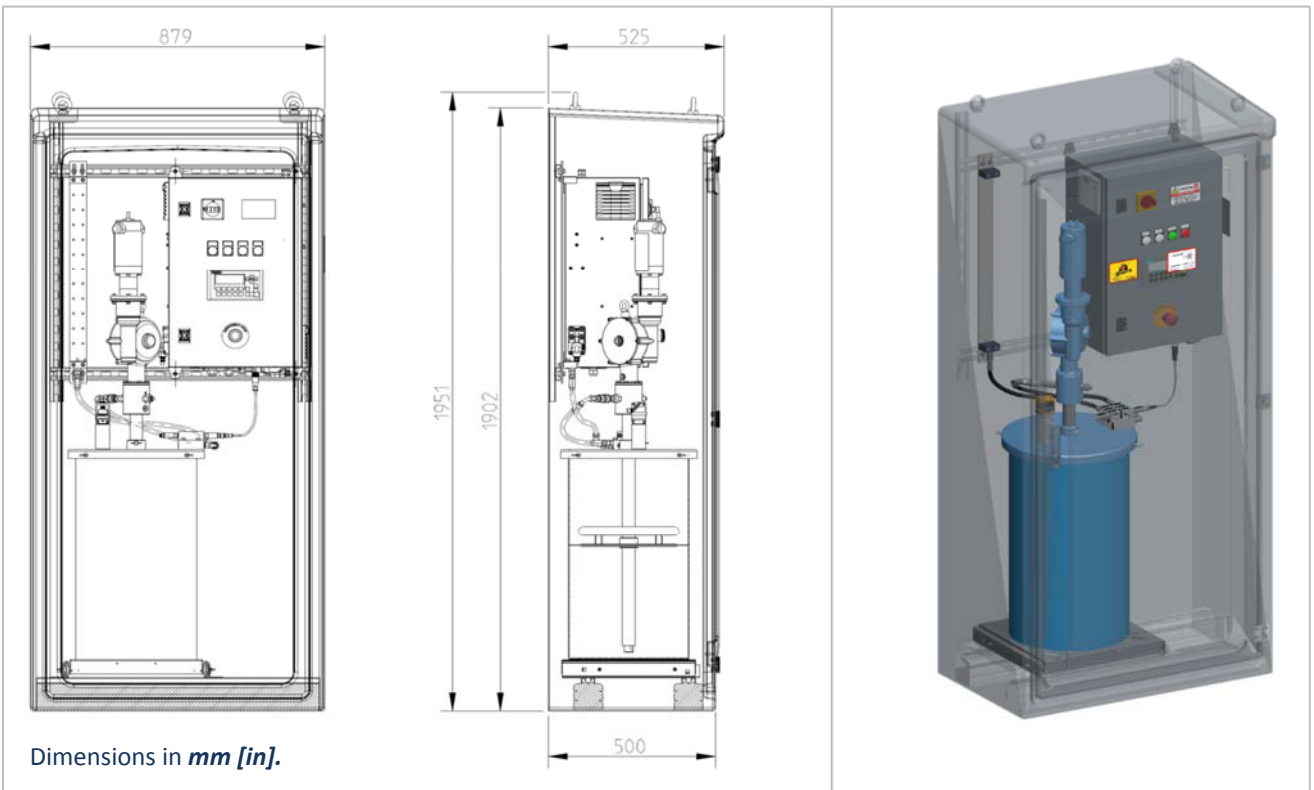
Power Supply	90 ÷ 260VAC 50 ÷ 60HZ 1A @ 230V (in Standby) - 3A @ 230V (pump working)
Pump Power Supply	24VDC
Lubricant	NLGI 2 GREASE
Drum Capacity	50KG
WEIGHT (Cabinet + Electrical Panel)	95KG
WEIGHT (Pump + Cover)	27KG
WEIGHT (Small-Bar)	11KG
IP PROTECTION (Cabinet)	IP 55 – IK 10
Working Temperature	32°F ÷ 122°F (-25°C ÷ +50°C)
Storage Temperature	32°F ÷ 185 °F (-25°C ÷ +85°C)
Sound Pressure Level	< 70 db (A)

DIMENSIONS (NOT TO SCALE)

SMALL-BAR



CABINET



Dimensions in **mm [in.]**.



ORDERING INFORMATION

TRACK-LUBE BASE CONFIGURATION:

1. CABINET WITH CONTROL PANEL

	NOTE	PART. NO	Q.ty
CABINET	Cabinet preassembled structures including shelf, pump, control panel, etc..	1900290	<input type="radio"/> _____
GREASE 50 KG	Always to be ordered or as an alternative to 3225006.	3225008	<input type="radio"/> _____

3. SMALL - BAR

KIT EV + SMALL-BAR 60 UNI	Number of Small-bar equivalent to the solenoid valves to be mounted in the cabinet.	3133825	<input type="radio"/> _____
KIT EV + SMALL-BAR 50 UNI	As an alternative to the previous (3133825) only for rails	3133829	<input type="radio"/> _____
KIT EV + SMALL-BAR 60 UNI PER DEVIATOIO	Number of Small-bar equivalent to the solenoid switch to be mounted in the cabinet.	3133837	<input type="radio"/> _____

4. SMALL-BAR VIBRATION MONITOR KIT

PER SMALL-BAR 60 UNI	With 10m of cable and sheath. Indicate any longer than the cable sheath 0039045 + 1523535. (providing the measure of the duct or the corrugated prepared)	3133826	<input type="radio"/> _____
PER SMALL-BAR 50 UNI	With 10m of cable and sheath. Indicate any longer than the cable sheath 0039045 + 1523535. (providing the measure of the duct or the corrugated prepared)	3133838	<input type="radio"/> _____

5. TUBING AND FITTINGS KIT

FLEX SAE 100 FILLED GREASE "TS 18 G" CLIP MOUNTING CABLES	Indicate meters total for all small-bar (max 20 m) (providing the measure of the duct or the corrugated prepared) Preferably one every 2 meters of pipe that runs on rails.	0101818 1525796	<input type="radio"/> <input type="radio"/> _____
D.8 FLEX TUBE GREASE PRELOADED	Indicate meters total for all small-bar (for distance more than 25m) (add to each small small-bar one fittings P. No 0102525).	0101814	<input type="radio"/> _____

6. REMOTE CONTROL MODULE

REMOTE CONTROL MODULE	Activation system for monitoring and control via web page.	TRACKWEB	<input type="radio"/> _____
--------------------------	--	----------	-----------------------------

OPTIONAL

EXPANSION KIT 4 TO 8	Only for installations from 5 to 8 small-bar.	3133898	<input type="radio"/> _____
EXPANSION KIT 4 TO 12	Only for installations from 5 to 12 small-bar.	3133899	<input type="radio"/> _____
KIT ANTI ICE	Kit with electric panel, temperature sensor (order separately heating cable and insulated pipe)	1641433	<input type="radio"/> _____
SMALL-BAR 180 FITTING KIT	Useful for not excessively bend the tube in input to the small-bar at 180 ° or 90 °.	3133828	<input type="radio"/> _____
12 MT HEATING CABLE	12m Heating cable and insulated pipe	3178052	<input type="radio"/> _____
18 MT HEATING CABLE	18m Heating cable and insulated pipe. To be ordered as an alternative to the 3178052 cable.	3178055	<input type="radio"/> _____

NB: It's important that the user carries out an inspection to determine what is necessary for the correct lubrication

Distributor Info:

C2245PE WK 35/18

Dropsa products can be purchased from Dropsa subsidiary and Dropsa sales representatives, visit www.dropsa.com/contact or contact us sales@dropsa.com