

## CHARACTERISTICS

- FROM 6 to 12 OULETS
- MATERIAL: CAST IRON
- PISTONS MADE OF AVP
- ALUMINIUM BASE
- EASY FLOW-RATE CONTROL
- PUMP TESTED FOR USE WITHOUT LUBRICANT FOR "1000" HOURS
- SUCTION HEAD 0.5 M WITH OIL 15 CST
- INTERCHANGEABLE WITH THOSE WHICH ARE COMMERCIALY AVAILABLE

## APPLICATIONS

- COMBINE HARVESTERS
- ROUND BALERS
- PICKER
- MOWER
- SPREADER
- DISC MOWERS

## THE ROBUST PUMP FOR THE LUBRICATION OF AGRICULTURAL MACHINERY CHAINS

### Cost reduction with automatic lubrication

The **PRM** is a multi-point piston pump operated by a cam system and designed to feed several independent lines up to a maximum of **12 outlets**.

Characterised for its robustness and reliability, it is particularly suitable for lubricating systems installed in difficult environments.

The pump is designed to supply **single-point lubrication systems** in **agricultural machinery** and various kinds of machinery for use with oil.

The "PRM" pump is designed to operate with a maximum of **six pistons**, which are easily adjustable on 12 outlets.

The pump is designed for **merging outlets** (to be defined during the order phase); the same will be provided directly to the merged outlets according to your specifications. Merging the two outlets will allow for the nominal **flow rate of a single outlet to be doubled**.

Being available in **different versions** to choose from depending on the reduction ratio necessary, there are also variants with a **flange**.



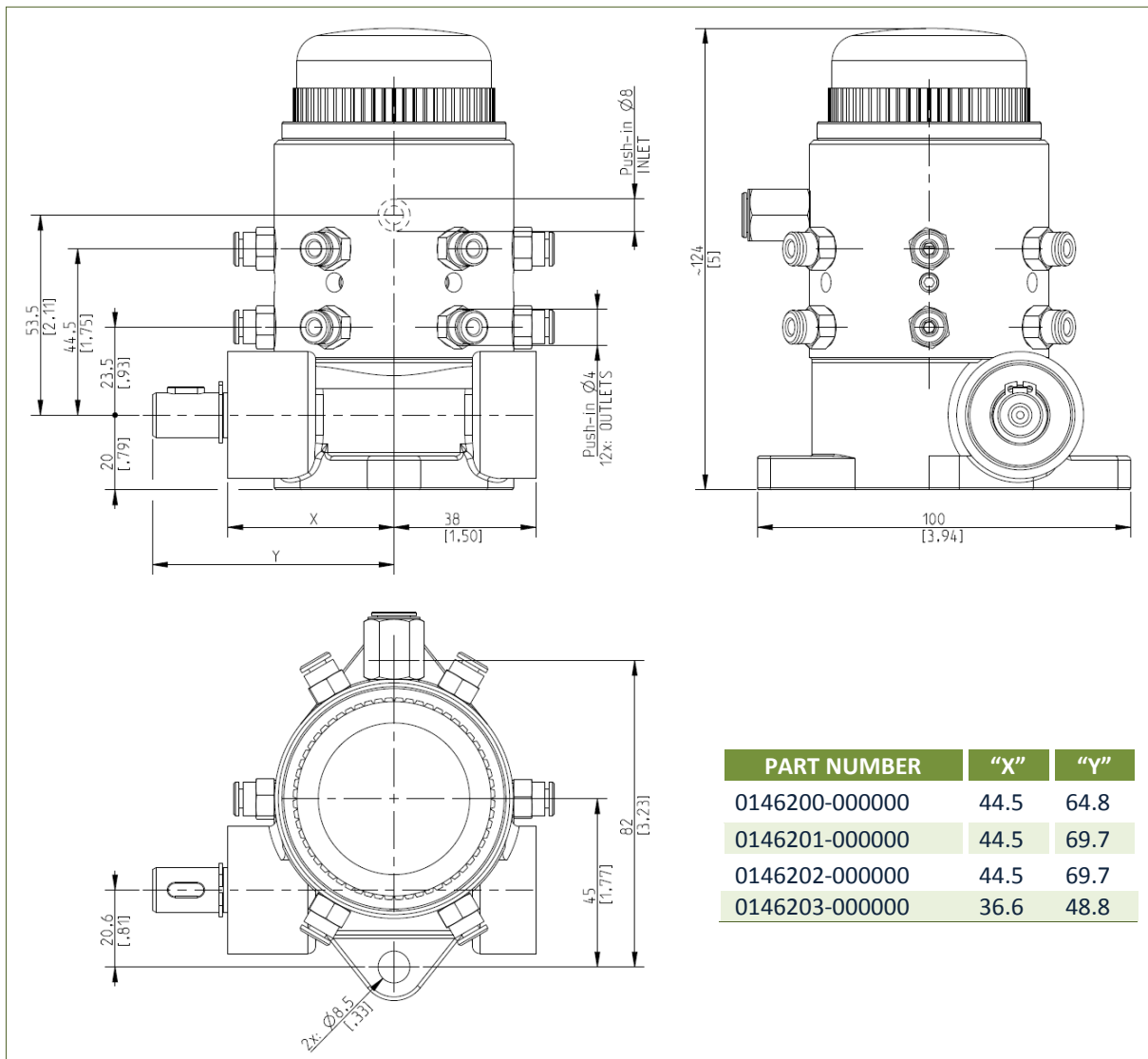
## ADVANTAGES

- **Improves machinery reliability**
- This **reduces maintenance costs**.
- **Avoid downtime**
- **Save on lubricant**
- The reservoir can be connected above or below the pump, up to 0.5 metres.
- The PRM **can run without lubrication up to 1000 hours** without seizure in the event of failure to refill the reservoir.
- The pump is available in various reduction ratios allowing **greater flexibility** of use depending on the type of application.
- The **regulation** of the flow rate of the single piston can be performed **simply and rapidly**.
- The regulation of the piston and the flow rate is aligned with the outlets.
- The **outputs can be excluded following a procedure**
- The PRM is **reversible**, meaning that it can operate independently of the direction of rotation of the mechanical drive.
- The high level of the pump's **robustness** allows it to be used in **difficult environments**.

## GENERAL TECHNICAL SPECIFICATIONS

<b>Pumping system</b>	Type	6 cam-operated pistons
<b>Delivery</b>	cm <sup>3</sup> /cycle [in <sup>3</sup> /rev]	0.015 ÷ 0.06 0.0009 ÷ 0.0037
<b>Pump speed (downstream from the reduction base)</b>	RPM	Max. 45
<b>Operating pressure</b>	Bar [psi]	10 [145]
<b>Number of outlets</b>	No.	Max. 12
<b>Delivery connection (outlet):</b>	Type	Push-in Ø4mm [Ø0.157in]
<b>Suction connection (input)</b>	Type	Push-in Ø8mm [Ø0.315in]
<b>Operating Temperature</b>	°C [°F]	0 ÷ +70 [+41 ÷ +104]
<b>Storage temperature</b>	°C [°F]	-15 ÷ +90 [+5 ÷ +194]
<b>Net weight</b>	Kg [lb]	2.5 [5.5]
<b>Relative humidity</b>	%	90
<b>Permitted lubricants</b>	cSt	15 ÷ 1000
<b>Reduction ratio</b>	Type	2.2:1
		8:1
		8.75:1
		25:1
		50:1

## DIMENSIONS (DRAWING NOT TO SCALE)



## ORDER INFORMATION

### 1. CHOOSE A MODEL

DESCRIPTION	SHAFT TYPE	PART NUMBER
Reduction ratio 2.2:1		0146200-000000
Reduction ratio 25:1		0146201-000000
Reduction ratio 50:1		0146202-000000
Reduction ratio 8:1 - reduced		0146203-000000
Reduction ratio 8.75:1 with flange		0146204-000000
Reduction ratio 16,66:1 - reduced		0146205-000000

### HOW TO ORDER?

**Example:** If you need the version with the 25:1 compression ratio and two merged outlets, to generate your code, please proceed as follows:

1. Select the **part number** of the model, in this case, **0145201**
2. If you need to **merge the outputs "N"**, continue by **completing the table below** indicating one (merged outputs) in columns G, H, I, L, and M, write 0

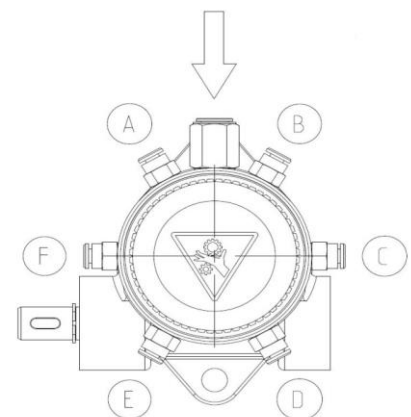
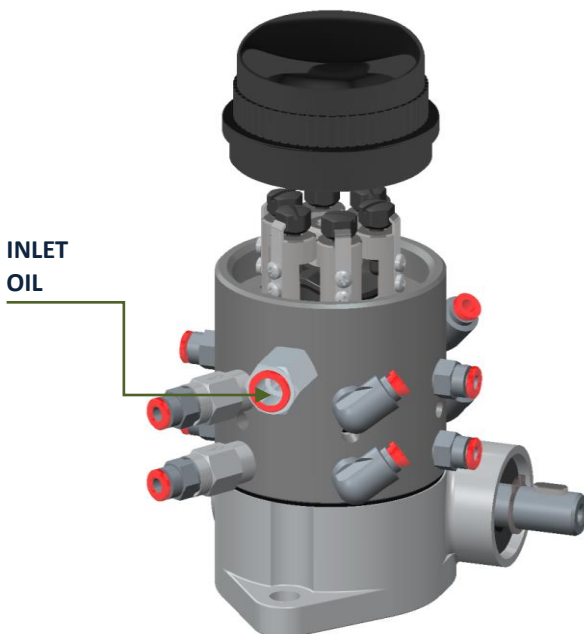
The generated code for the order will be **0146201-000001**

### 2. DEFINE THE OUTPUTS TO BE MERGED

01462__ -	OUTPUTS TO BE MERGED					
	OUTLET					
	G	H	I	L	M	N

DO NOT MERGE	0
MERGE	1

Inlet  
Push-in Ø8



ACCESSORIES	PART NUMBER
Check valve to be utilised in BACK-PRESSURE	0092335
Grub screw to close the outlets	3232098
Push-in 90° adjustable G1/8" Ø4	0911096
Push-in 90° adjustable G1/8" Ø8	3084672
Elastic coupling for shaft type C	0146180
Flexible coupling for shaft type D	3200182

Distributor info: