

SPECIFICATIONS

- **MAX FLOW RATE:**
220 CM³/MIN
(13.45 CU.IN.)/MIN
- **MAX PRESSURE:**
30 BAR (411 PSI)
- **PRISMART FOR OIL:**
- MIN. 68 CST
- MAX. 320 CST
- **PRISMART 00 FOR FLUID GREASE:**
-MAX. NLGI 00
- **VOLTAGE:**
110 OR 230 V BOTH AT
50 AND 60 HZ.
- **MINIMUM STANDARD LEVEL:**
WITH CAPACITIVE
SENSOR FOR FLUID
GREASE VERSION AND
SAMBA LEVEL SENSOR
FOR THE OIL VERSION.
- **PRESSURE GAUGE:**
PRE-INSTALLED AT 60
BAR (882 PSI)
- **PRESSURE SWITCH:**
LIKE STANDARD (N.O.)
TO INDICATE THE SYSTEM
IS CORRECTLY
PRESSURIZED.
- **COUNT STOP OPTION
(PAUSE AND CYCLE)**

APPLICATIONS

- **MACHINE TOOLS.**
- **FOR MEDIUM/SMALL OIL OR FLUID GREASE SYSTEMS.**
- **FOR 1 TO 50 POINT SYSTEMS.**

PRISMART “O” AND PRISMART “FG”

ELECTRIC PUMP FOR OIL AND FLUID GREASE FOR SINGLE LINE SYSTEMS AND 33V VALVES

PRISMART O (oil) and **PRISMART FG** (fluid grease) represent a convenient solution for oil or fluid grease lubrication.

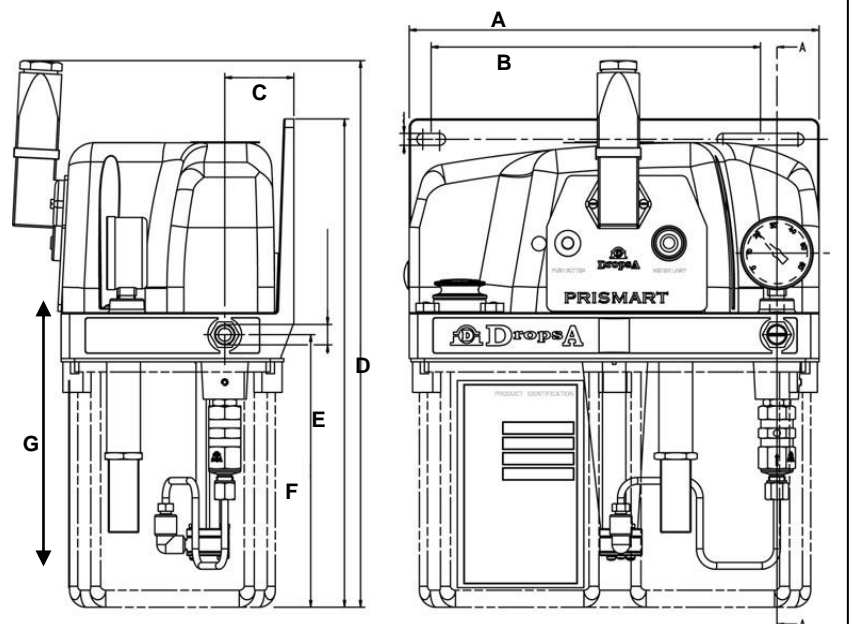
PRISMART is the ideal solution for use in single-line systems, in particular with the 33V valve system.

For ease of operation, the control and connection elements are located on the front part:



1. *Power connector and for connecting to the PLC machine for remote control;*
2. *Direct pump dispensing control button;*
3. *Operating indicator light.*

DIMENSIONS



POS.	MM (IN.)	* For Prismart O **For Prismart FG ***Samba level length, Prismart O version only
A	243 (9.5)	
B	195 (7.6)	
C	41 (1.6)	
D	207.5 (8.1)* 320 (12.5)**	
E	287.5 (11.3)	
F	160.5 (6.3)	
G ***	163 (6.4)	



TECHNICAL DETAILS

TECHNICAL SPECIFICATIONS

Tank capacity	3 litres (0.66 gallons)
Rated current	1.48 A - 0.69A - 0.70A
Supply voltage	<ul style="list-style-type: none"> - 110V/50Hz - 110V/60Hz - 230V/50Hz - 230V/60Hz
Power consumption	<ul style="list-style-type: none"> - 110V/50Hz: 162W - 110V/60Hz: 155W - 230V/50Hz: 150W - 230V/60Hz :148W
Flow rate	<ul style="list-style-type: none"> - 180 cm³/min (10,98 cu.in.)/min - 220 cm³/min (13,45 cu.in.)/min
Humidity	90% max
Max pressure	30 bar (441psi)
Oil viscosity	68 ÷ 320 cSt (320 ÷ 1480 SUS)
Grease viscosity	NGLI 00
Temperature of use	+ 5°C ÷ + 60°C (+41°F ÷ +140°F)
Bypass setting	25 bar (367.5 psi)
Pressure switch setting	18 bar (264.6 psi)
Insulation class	B
Motor rotation	Clockwise
Rpm	2900 – 3500
Max pump continuous operation time	2 min
Minimum standby time	5 times cycle time

ORDERING DETAILS

PRISMART O (OIL)		PRISMART FG (FLUID GREASE)	
DESCRIPTION	CODICE	DESCRIPTION	CODE
Electric pump PRISMART O 110V/50 Hz	3600250	Electric pump PRISMART FG 110V/50 Hz	3600450
Electric pump PRISMART O 230V/50 Hz	3600251	Electric pump PRISMART FG 230V/50 Hz	3600451
Electric pump PRISMART O 110V/60 Hz	3600252	Electric pump PRISMART FG 110V/60 Hz	3600452
Electric pump PRISMART O 230V/60 Hz	3600253	Electric pump PRISMART FG 230V/60 Hz	3600453

ACCESSORIES

DESCRIPTION	CODE
3 l (0.66 gallon) transparent tank	6770033
Pressure gauge 60 bar (882 psi) 1/8" cone	3292053
Filling cap (for oil and fluid grease)	6770070
Filling filter (for oil)	3130101
Pressure switch 18 bar (264.6 psi)	3291048
Minimum level	1655582
Capacitive sensor (for fluid grease)	3289170
Samba sensor (for oil)	1655583
Mobile connector	3194153
Jack for mobile connector	3194154
Contact for mobile connector	3194155
Fixed panel connector	3194156
Jack for fixed connector	3194157
Contact for fixed connector	3194158

C2110PE WK 50/11

Dropsa products are available from Dropsa branches and authorized distributors. Visit website www.dropsa.com/contact or write to sales@dropsa.com

Distributor Info: