

CHARACTERISTICS

- **COMPACT DESIGN**
- **FOR MULTILINE AND PROGRESSIVE SYSTEMS**
- **10 OUTLETS FOR PUMPING ELEMENTS**
- **OPERATING TEMPERATURE**
-25 ~ +70 °C
- **RESERVOIRS**
With cartridge
400 cc (0.1 gal)
700 cc (0.18 gal)
With follower plate
1,2 l (1,2 gal)
- **OPERATING PRESSURE**
Progressive system: 280 bar (4061 psi)
Multi-line system: 200 bar (2900 psi)
- **12V DC and 24V DC**
- **LUBRICANTS**
NLGI 000 ÷ NLGI2

HIGH PERFORMANCE IN A COMPACT PUMP

OMEGA pump is the ideal multi-point electric grease pump for small and medium lubrication systems.

DropsA OMEGA Pump works simultaneously with progressive and multi-point systems.

MULTILINE SYSTEMS provides 8 lubrication points directly to the point, without distributors!

Thanks to the **2 PROGRESSIVE OUTLETS** this pump can feed more lube points, and the system can be expanded using more progressive distributors. Like all the progressive systems, it can be extended with the secondary lines.

Very compact, **OMEGA pump** is available with 2 different reservoirs, with **follower plate** or with **preloaded cartridge**. OMEGA pump is the ideal solution for all small-medium size installations.



- *Can be used for construction equipment and all common vehicles*
- *Few points to lubricate*
- *Machine tools and all machines with small and medium lubrication systems*
- *Ideal for installation in small spaces thanks to its small size*
- *The best solution if you want to combine Multi-line and Progressive Systems*

APPLICATIONS

- **Construction equipment**
- **Machine tools**
- **Earthworks equipment**
- **Small and medium lubrication systems**



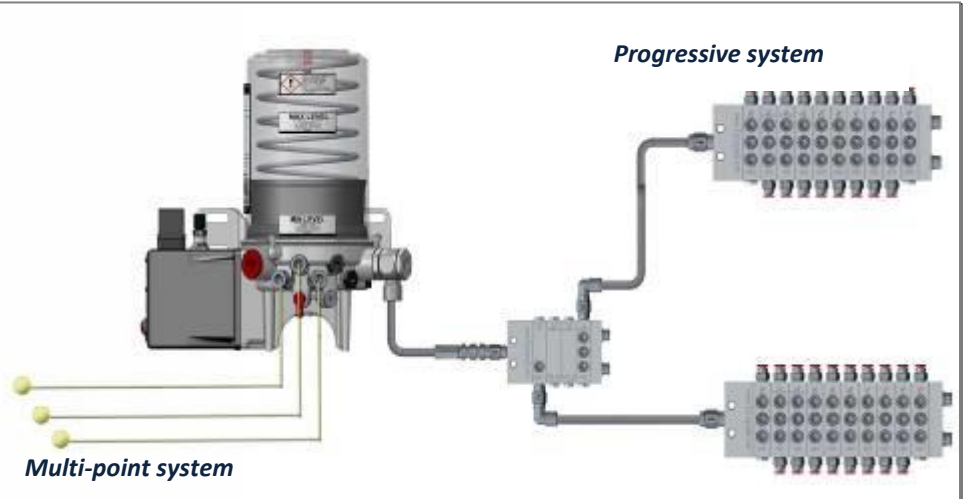
THECNICAL CHARACTERISTICS

RPM			20	
Flow rate	Multi-line	cm ³ /min [in ³ /min]	0.005 – 0.01 – 0.015 – 0.025 – 0.05 [0.0003 - 0.0006 - 0.0009 - 0.0015 - 0.003]	
		Progressive	cm ³ /min [in ³ /min]	2,8 - 5,2
		Progressive Reg.		0,4 ÷ 2,8 [0.02 ÷ 0.17]
Operating pressure	Multi-line	bar	200 [2900]	
		Progressive	[psi]	280 [4061]
Outlets (pumping elements)	Multi-line	N°	8	
		Progressive		2
Delivery connection (pumping element outlet)	Multi-line	Tipo	G1/8"	
		Progressive		G1/4"
Operating temperature			-25 ÷ +70 [-13 ÷ +158]	
Reservoir	Follower plate	l	1,2 [0.32]	
	Cartridge	[gal US]	0,7 [0.18]	
Lubricants	NLGI		Grease 000 ÷ 2	

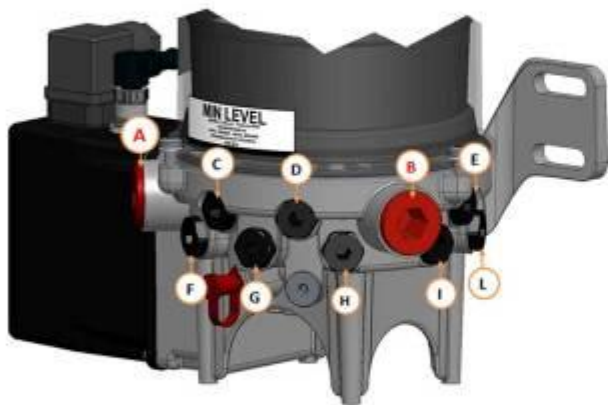
OMEGA - MULTI-LINE AND PROGRESSIVE SYSTEM

BENEFITS OF PROGRESSIVE SYSTEM DROPSA

- Modular progressive system for excellent lubrication
- Ability to expand the system
- High accuracy
- Stainless steel
- Different progressive distributor for all needs
- SMX - nP - nPr+ - SMP (Ref. DropsA documents progressive system SMX C2104PI - nP C2213PI - nPr+ C2220PI - SMP C2071PI)



PUMPING ELEMENTS POSITION



IMPORTANT:

Pump is supplied as standard without pumping. Pumping elements can be ordered separately using the Part Number indicated in this document.

PROGRESSIVE PUMPING ELEMENTS

A/B POSITION

FIXED FLOW RATE	FIXED FLOW RATE	FIXED FLOW RATE	ADJUSTABLE FLOW RATE
With by-pass 2.8 cm ³ /min (0.17 in ³ /min) P/N 0888058	2.8 cm ³ /min (0.17 in ³ /min) P/N 0888156	5.2 cm ³ /min (0.31 in ³ /min) P/N 0888391	.4 ~ 2.8 cm ³ /min (0.02 ~ 0.17 in ³ /min) P/N 0888555



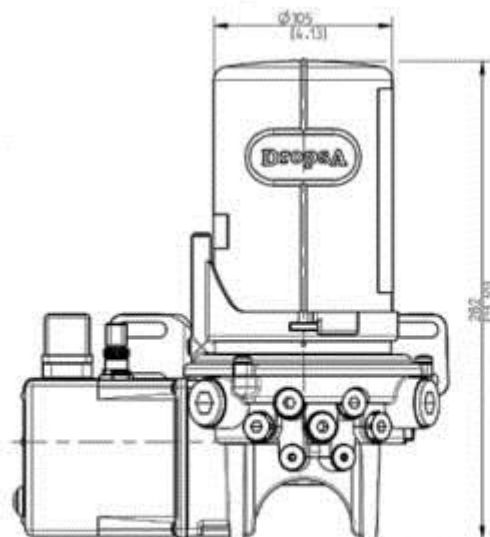
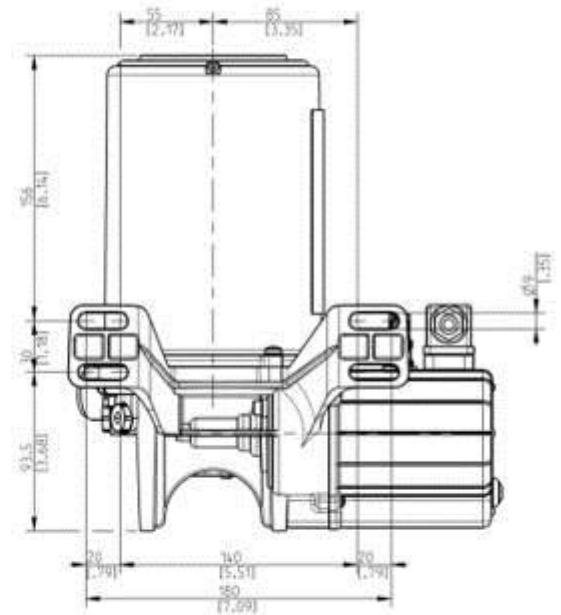
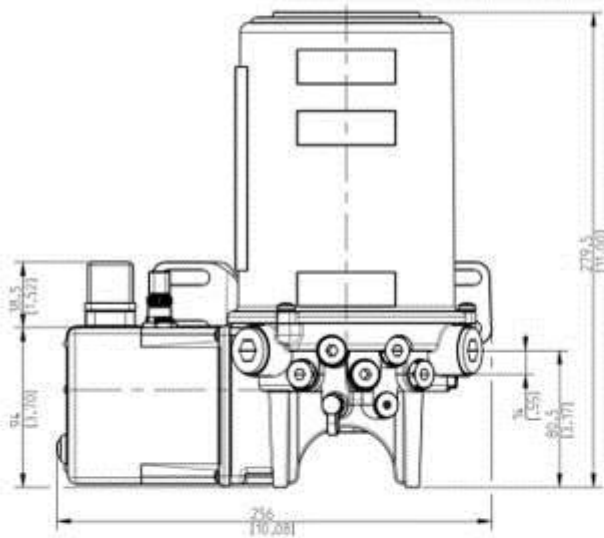
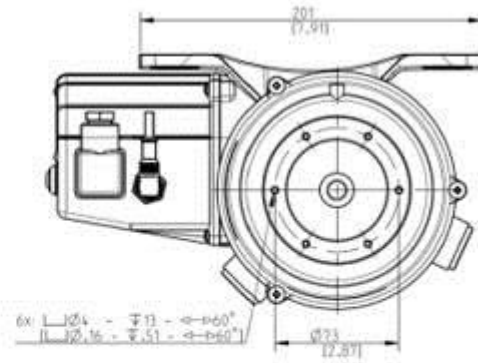
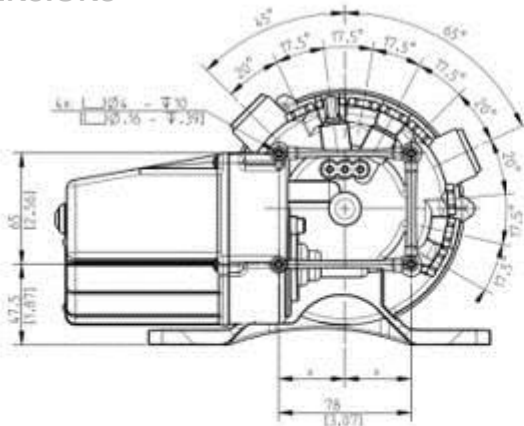
MULTI-LINE PUMPING ELEMENTS

C - D - E - F - G - H - I - L POSITION

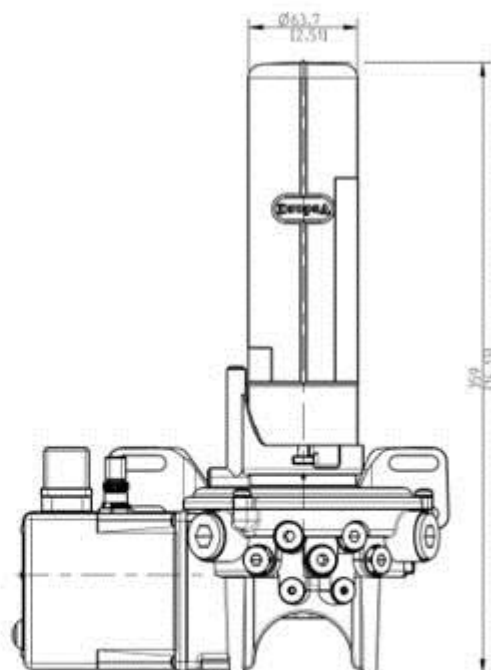


1 Notch 0,005 cm ³ /rev (0.0003 in ³ /rev) P/N 0888550	2 Notches 0,01 cm ³ /rev (0.0006 in ³ /rev) P/N 0888551	3 Notches 0,015 cm ³ /rev (0.0009 in ³ /rev) P/N 0888552	4 Notches 0,025 cm ³ /rev (0.0015 in ³ /rev) PN 0888553	5 Notches 0,05 cm ³ /rev (0.003 in ³ /rev) PN 0888554
---------------------------------------------------------------------------------------	----------------------------------------------------------------------------------------	-----------------------------------------------------------------------------------------	----------------------------------------------------------------------------------------	--------------------------------------------------------------------------------------

DIMENSIONS



Cartridge version 700 cc



Cartridge version 400 cc



OMEGA PUMP

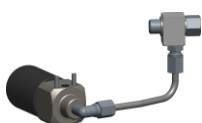
ORDERING INFORMATION

	RESERVOIR	VOLTAGE	PART NUMBER
OMEGA PUMP	REFILLABLE WITH FOLLOWER PLATE	12VDC	0888580
		24VDC	0888581
	A WITH 700CC CARTRIDGE *	12VDC	0888584
		24VDC	0888585
	A WITH 400CC CARTRIDGE *	12VDC	0888582
		24VDC	0888583

*The cartridge must be ordered separately.

PUMPING ELEMENTS	FLOW RATE	PART NUMBER
FOR PROGRESSIVE SYSTEMS	2.8 cm ³ /min (With By-pass) (0.17 in ³ /min)	0888058C
	2.8 cm ³ /min (0.17 in ³ /min)	0888156
	5.2 cm ³ /min (0.31 in ³ /min)	0888391
	0.4 ~ 2.8 cm ³ /min (0.02 ~ 0.17 in ³ /min)	0888555
FOR MULTI-LINE SYSTEMS	0,005 cm ³ / rev	0888550
	0,01 cm ³ / rev	0888551
	0,015 cm ³ / rev	0888552
	0,025 cm ³ / rev	0888553
	0,05 cm ³ / rev	0888554

ACCESSORIES



DESCRIPTION	PART NUMBER
DROPSA BLUE cartridge NLGI 0 grease - 400cc **	0888573
DROPSA BLUE cartridge NLGI 0 grease - 700cc **	0888576
** For the first refill, order two cartridges	
External By-Pass with pressure gauge	0888572
External By-Pass without pressure gauge	0888163
Reservoir maximum level sensor kit	3133644
Venting-valve kit (24V DC)	3133646

Info Distributor:

C2276PE WK 15/18

Dropsa products can be purchased from Dropsa subsidiary and Dropsa sales representatives, visit www.dropsa.com/contact or contact us sales@dropsa.com