

DL-33 G AND DL-33 O INJECTORS



DropsA

The DL-33 injector line was developed to provide a precise amount of lubricant to points of friction in situations where high pressure is required.

The compact product design allows for several DL33s to be installed in line within a small, confined space. The output flow is adjustable externally which allows the end user to adjust for the necessary amount of lubricant to meet application requirements.

DL33 injectors have a visual indicating pin incorporated within the valve to confirm proper lubrication and functionality of the lubrication system. The valves are mounted within manifolds, available from 1 to 7 outlets.

Each DL33 injector can be easily inspected, assembled, or disassembled from the manifold without removing any fittings or tubing. Additionally, the product can be mounted in any orientation. DropsA can also provide customized manifolds to meet specific requirements.

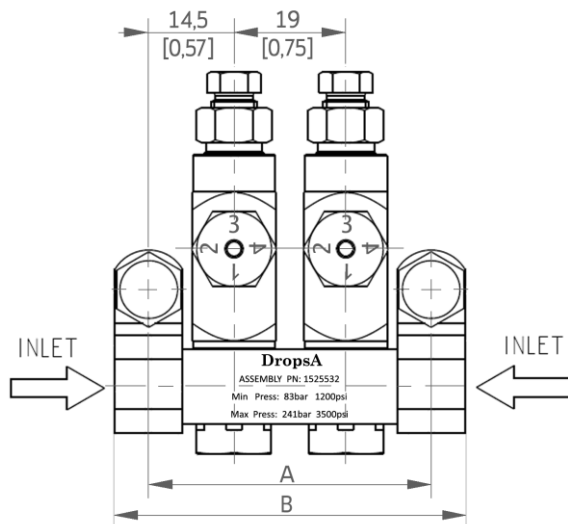


Grease Version

LUBRICANT		FLOW RATE		OPERATING PRESSURE			
Oil	Grease	Min	Max	Min	Max	Typical	Recharge
-	Max NLGI 2	0.016 cm ³ (0.001 cu.in.)	0.049 cm ³ (0.003 cu.in.)	83 bar (1200 psi)	241 bar (3500 psi)	103 bar (1500 psi)	14 bar (200 psi)

INJECTOR FOR GREASE

Part No. (1/8 OD)	Part No. (ø 4 push-in)	Outlets	Dimensions mm [in.]	
			A	B
1525531	1525781	1	29 – [1.14]	41 – [1.61]
1525532	1525782	2	48 – [1.89]	60 – [2.36]
1525533	1525783	3	67 – [2.64]	79 – [3.11]
1525534	1525784	4	86 – [3.39]	98 – [3.86]
1525535	1525785	5	105 – [4.13]	117 – [4.61]
1525536	1525786	6	125 – [4.92]	137 – [5.39]
1525537	1525787	7	144 – [5.67]	156 – [6.14]
SPARE PARTS				
1525530	DL 33 Injector (1/8 OD)			
1525780	DL 33 Injector Push-in ø 4			
1525518	Fixing bracket			

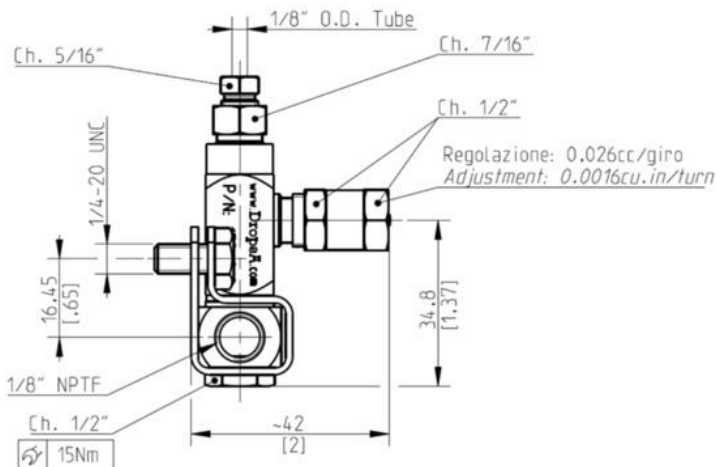




Oil Version

LUBRICANT		FLOW RATE		OPERATING PRESSURE			
Oil	Grease	Min	Max	Min	Max	typical	recharge
Min 32 cSt	-	0.026 cm ³ (0.0016 cu.in.)	0.078 cm ³ (0.005 cu.in.)	52 bar (760 psi)	69 bar (1000 psi)	59 bar (860 psi)	10 bar (145 psi)

INJECTOR FOR OIL			
Code	Outlets	Dimensions mm [in.]	
		A	B
1526211	1	29 – [1.14]	41 – [1.61]
1526212	2	48 – [1.89]	60 – [2.36]
1526213	3	67 – [2.64]	79 – [3.11]
1526214	4	86 – [3.39]	98 – [3.86]
1526215	5	105 – [4.13]	117 – [4.61]
1526216	6	125 – [4.92]	137 – [5.39]
1526217	7	144 – [5.67]	156 – [6.14]
SPARE PARTS			
1526210	Injector valve		
1525518	Bracket		
1524545	Fixing screw		



Notes:

1. The injectors include the compression nut and cone for Ø 1/8" pipe.
2. The injectors have VITON gaskets. Check compatibility with the use of synthetic lubricants.
3. For injectors with manifold, two assembly brackets are included with relative 1/4" 20UNC hex-head screws.
4. With the indicator head completely tightened, the output is 0.026 cm³ (0.0016 cu in).