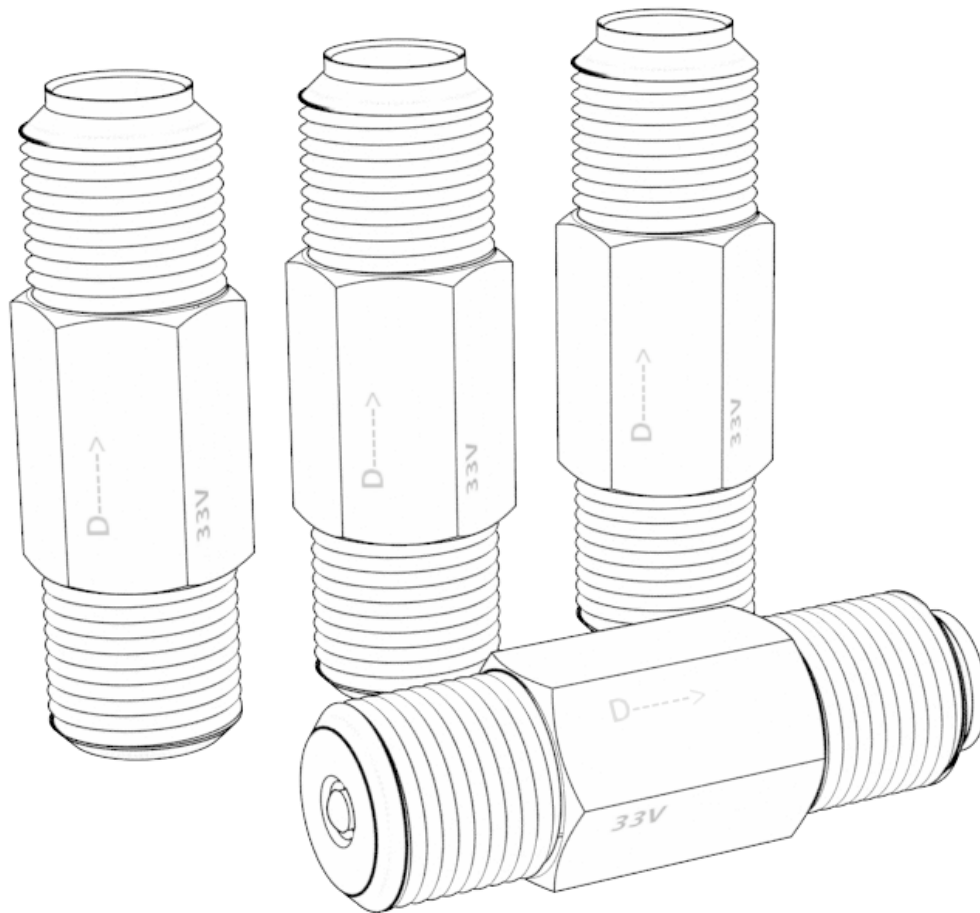


### Operation and maintenance manual

#### Original instructions



Manual drafted in compliance  
with directive 2006/42

C2032IE WK 47/22

[www.dropsa.com](http://www.dropsa.com)

DropsA products can be purchased at DropsA branches and authorised distributors,  
go to [www.dropsa.com/contact](http://www.dropsa.com/contact) or write to [sales@dropsa.com](mailto:sales@dropsa.com)

## Index

Product Features: .....	3
Operating Characteristics:.....	3
Introduction – Operating Principle of the V33 Injector Series.....	4
Injectors for Manifold Mounting .....	6
Injectors for application directly to Lubrication point.....	8
Manifolds – V33 Fixtures Type M, P, L, N (Aluminium).....	10
Manifolds – Type W .....	11
Manifolds – Single Row stainless steel Aisi 304 .....	12
Manifolds – One-sided output with M10x1 (aluminium) connection .....	14
Metalling tube.....	15
Pipe Clips.....	15
Nylon hoses with reusable fittings .....	16
Special hoses.....	16
High pressure Push-in for oil and grease .....	17
Straight terminal.....	17
90° terminal .....	17
Scheme of new codification .....	18
Copyright .....	19

## Product Features:

- Compatible and Interchangeable with Dropsa’s Accumino and Dromatic System
- More compact design. 1/8”-1/8” BSP injector cartridge allows many new configurations.
- High Reliability. The 33V Injector is fully assembled, tested and certified on a robotic system.
- Manifolds for compatibility with other systems.

## Operating Characteristics:

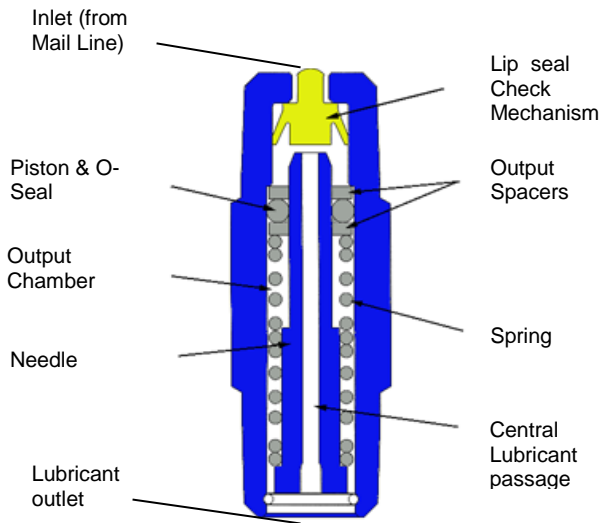
		Delivery		
		0.015 – 0.16	0.20 – 0.50	0.75 – 1.00
<b>Minimum pressure bar (psi)</b>		12 (175)	12 (175)	12 (175)
<b>Maximum pressure bar (psi)</b>		50 (725)	50 (725)	50 (725)
<b>Maximum pressure of release bar (psi) **</b>		4 (58)	2.5 (36)	2.5 (36)
<b>Lubricant</b>	<b>Oil</b>	32-2000 cSt	32-2000 cSt	32-2000 cSt
	<b>Grease</b>	NLGI 0		
<b>Minimum time of release (seconds) *</b>	<b>32-250 cSt</b>	10	10	10
	<b>260-1000 cSt</b>	200	200	200
	<b>NLGI 0</b>	200		

\* Minimum time of release depending on the specifics of the systems where V33 injector are mounted.

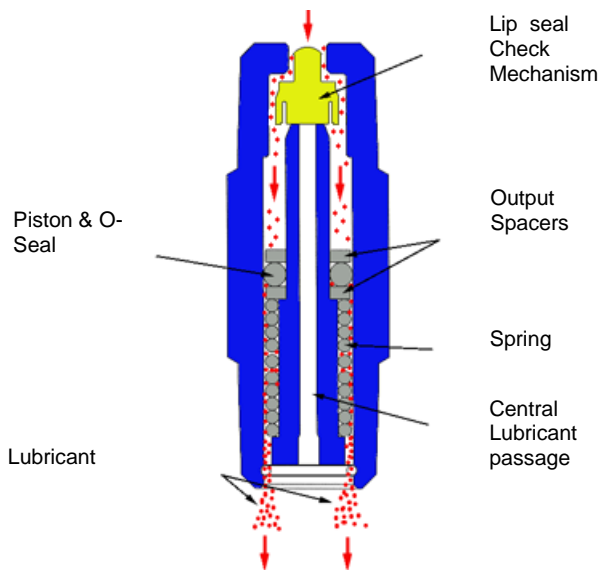
If they need to be assembled on medium or large – sized systems, please contact Dropsa’s technical – commercial department to check their real time of release

\*\* Point delivery

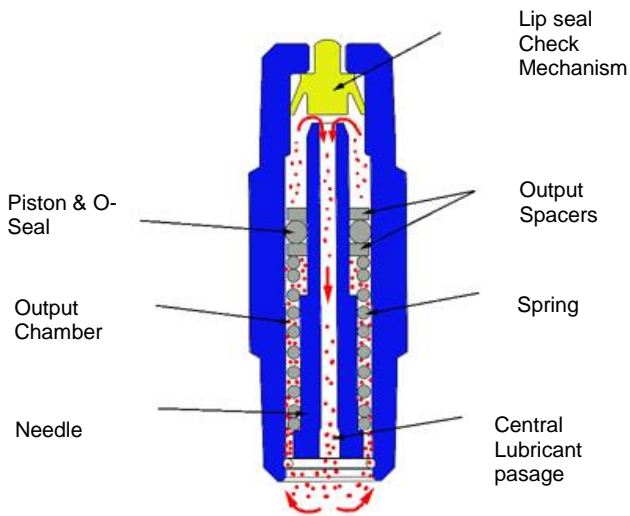
## Introduction – Operating Principle of the V33 Injector Series



The system is pressurized and oil flows into the Inlet side of the injector. The Lip seal check mechanism allows oil to flow past blocking off the Central Lubricant Passage.

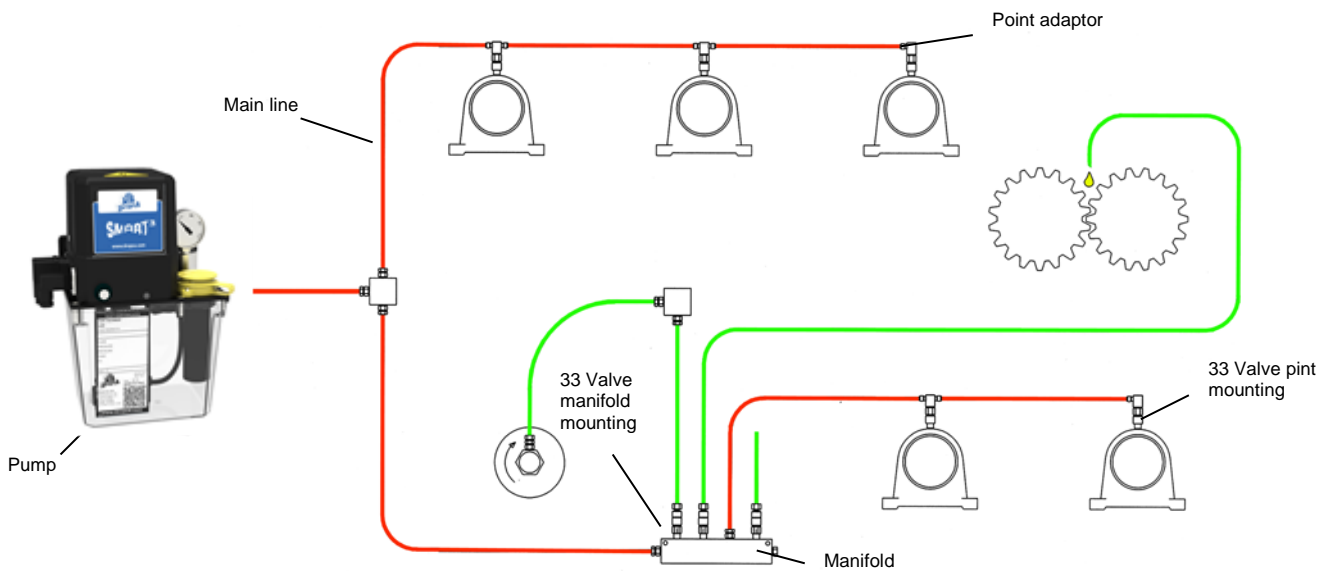


Lubricant enters the upper chamber of the injector which causes the Piston & O-Seal to move downwards, pushing the oil accumulated in the Output chamber (from the previous cycle) towards the lubrication point.

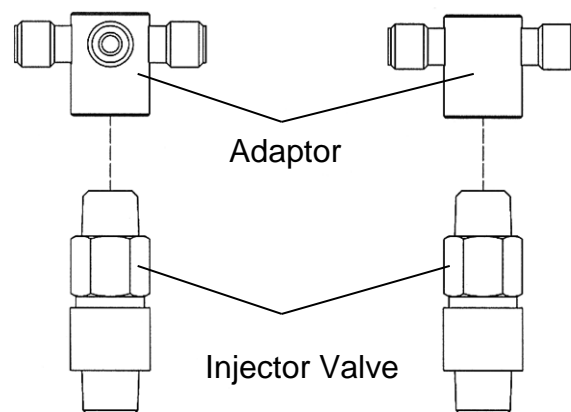


The final stage occurs when Pressure is released from the Inlet resetting the injector. During this phase the Spring pushes the piston & O-Seal back upwards, together with the check mechanism that permits the lubricant to flow across the Central Lubricant Passage and back into the Output Chamber, ready for the next lubrication cycle.

### Example Application Using Smart Pump and 33 Valves

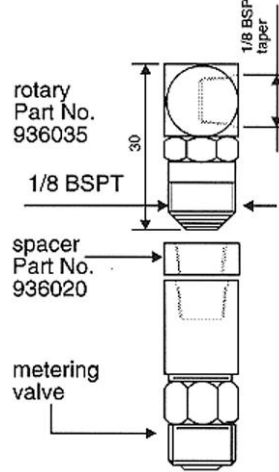
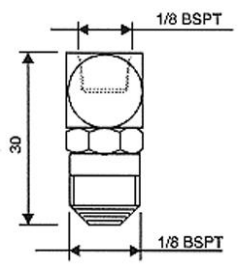


### Point Adaptor Assembly Example



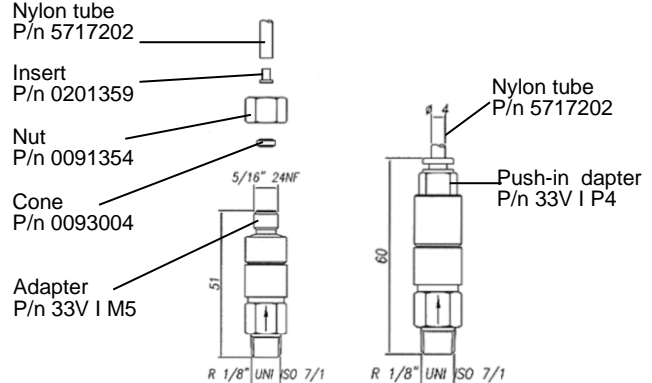
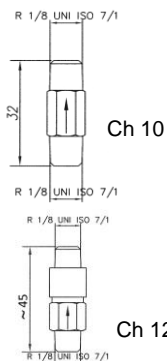
## Rotary Connection Application

No. Revolutions per min. 100 - No. Oscillations per min. 120

90° Rotary	Straight Rotary												
 <div style="margin-top: 10px;"> <p style="text-align: center;"><b>Rotary p/n 0936035</b></p> <table border="1" style="width: 100%; border-collapse: collapse; text-align: center;"> <thead> <tr style="background-color: #cccccc;"> <th>Connector</th> <th>Compr. cone</th> <th>Bushing</th> <th>Pipe o/d</th> </tr> </thead> <tbody> <tr> <td>0910073</td> <td>0093004</td> <td>0092004</td> <td>4</td> </tr> <tr> <td>0910090</td> <td>0093006</td> <td>0092052</td> <td>6</td> </tr> </tbody> </table> </div>	Connector	Compr. cone	Bushing	Pipe o/d	0910073	0093004	0092004	4	0910090	0093006	0092052	6	<p>Part No. 936045</p> 
Connector	Compr. cone	Bushing	Pipe o/d										
0910073	0093004	0092004	4										
0910090	0093006	0092052	6										

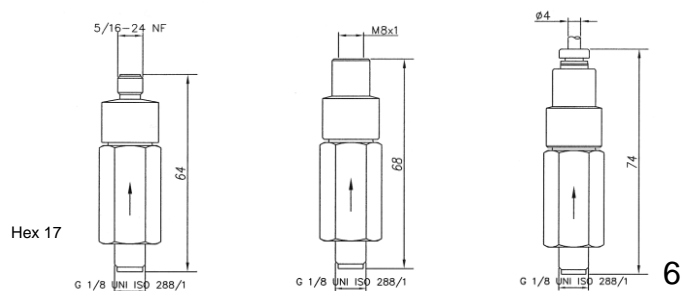
## Injectors for Manifold Mounting

Output: 0.015 to 0.50 cc/cycle.

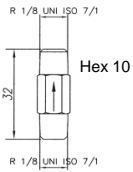
Output/ Cycle	Part Num.	Part Number (Body AISI 316L)	Compatible Manifold Type	With pre-assembled Output Adaptor		
				Male Thread	Push-in for 4mm Tube	Push-in for 4mm Tube (Body AISI 316L)
0.015	33V 0015	33V 0015X	M, P, L, N, W	33V I M5 0015	33V I P4 0015	33V I P4 0015X
0.03	33V 003	33V 003X		33V I M5 003	33V I P4 003	33V I P4 003X
0.06	33V 006	33V 006X		33V I M5 006	33V I P4 006	33V I P4 006X
0.10	33V 010	33V 010X		33V I M5 010	33V I P4 010	33V I P4 010X
0.16	33V 016	33V 016X		33V I M5 016	33V I P4 016	33V I P4 016X
0.20	33V 020		M, P, L, N	33V I M5 020	33V I P4 020	
0.30	33V 030			33V I M5 030	33V I P4 030	
0.50	33V 050			33V I M5 050	33V I P4 050	

Output: 0,75 to 1.00 cc/cycle

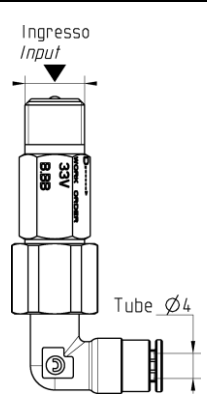


Output/Cycle	Compatible Manifolds	Output Porting		
		Male Thread	Female M8x1 Thread	Push-in for 4mm Tube
0.75	L, N	33V I M5 075	33V I F8 075	33V I P4 075
1.00		33V I M5 100	33V I F8 100	33V I P4 100

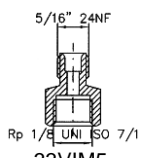
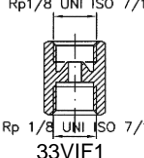
Injectors with VITON gasket (1/8" – 1/8")



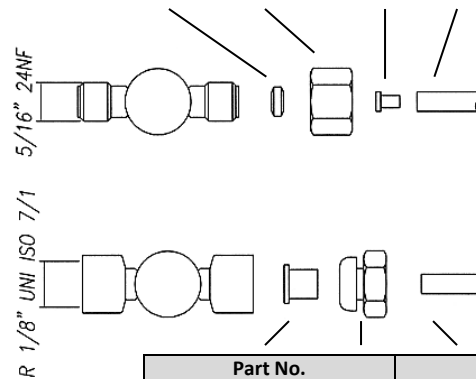
Output/Cycle	Part Num.	Part Number (Body AISI 316L)	Compatible Manifold Type	With pre-assembled Output Adaptor		
				Male Thread	Push-in for 4mm Tube	Push-in for 4mm Tube (Body AISI 316L)
0.015	33V 0015V	33V 0015X	M, P, L, N, W	33V I M5 0015	33V IP4 0015	33V IP4 0015X
0.03	33V 003V	33V 003X		33V I M5 003	33V IP4 003	33V IP4 003X
0.06	33V 006V	33V 006X		33V I M5 006	33V IP4 006	33V IP4 006X
0.10	33V 010V	33V 010X		33V I M5 010	33V IP4 010	33V IP4 010X
0.16	33V 016V	33V 016X		33V I M5 016	33V IP4 016	33V IP4 016X

Outlet Fitting																			
I Adapter for Rotary connection Port	Pre assembled to use with Injector																		
 <p>33VIRE4</p>	<table border="1"> <thead> <tr> <th>Output</th> <th>Female</th> </tr> </thead> <tbody> <tr> <td>0.015 cc</td> <td>33VIRE4 0015</td> </tr> <tr> <td>0.03 cc</td> <td>33VIRE4 003</td> </tr> <tr> <td>0.06 cc</td> <td>33VIRE4 006</td> </tr> <tr> <td>0.10 cc</td> <td>33VIRE4 010</td> </tr> <tr> <td>0.16 cc</td> <td>33VIRE4 016</td> </tr> <tr> <td>0.20 cc</td> <td>33VIRE4 020</td> </tr> <tr> <td>0.30 cc</td> <td>33VIRE4 030</td> </tr> <tr> <td>0.50 cc</td> <td>33VIRE4 050</td> </tr> </tbody> </table>	Output	Female	0.015 cc	33VIRE4 0015	0.03 cc	33VIRE4 003	0.06 cc	33VIRE4 006	0.10 cc	33VIRE4 010	0.16 cc	33VIRE4 016	0.20 cc	33VIRE4 020	0.30 cc	33VIRE4 030	0.50 cc	33VIRE4 050
	Output	Female																	
	0.015 cc	33VIRE4 0015																	
	0.03 cc	33VIRE4 003																	
	0.06 cc	33VIRE4 006																	
	0.10 cc	33VIRE4 010																	
	0.16 cc	33VIRE4 016																	
	0.20 cc	33VIRE4 020																	
0.30 cc	33VIRE4 030																		
0.50 cc	33VIRE4 050																		

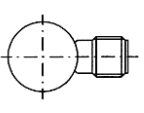
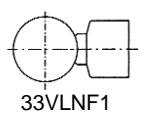
## Injectors for application directly to Lubrication point

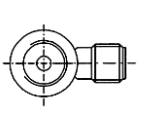
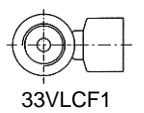
Straight Adapter		Pre assembled to use with Injector	
	Output	Male	Female
 5/16" 24NF Rp 1/8 UNI ISO 7/1 <b>33VIM5</b>   Rp1/8 UNI ISO 7/1 Rp 1/8 UNI ISO 7/1 <b>33VIF1</b> Side View	0.015 cc	33V IS M5 0015	33V IS F1 0015
	0.03 cc	33V IS M5 003	33V IS F1 003
	0.06 cc	33V IS M5 006	33V IS F1 006
	0.10 cc	33V IS M5 010	33V IS F1 010
	0.16 cc	33V IS M5 016	33V IS F1 016
	0.20 cc	33V IS M5 020	33V IS F1 020
	0.30 cc	33V IS M5 030	33V IS F1 030
	0.50 cc	33V IS M5 050	33V IS F1 050

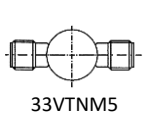
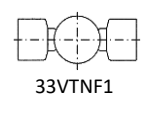
Part No.			
Cone	Nut	Insert (only for nylon)	Pipe o/d
0093004	0091354	0201359	4

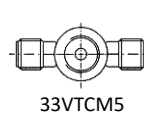
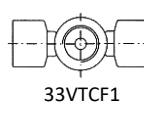


Part No.			Pipe o/d
Compression sleeve	1/8" Gas bushing		
3008174	3084018		4
3008175	3084019		6


L Adapter		Pre assembled to use with Injector	
	Output	Male	Female
 <b>33VLNM5</b>   <b>33VLNF1</b> Top View	0.015 cc	33V LN M5 0015	33V LN F1 0015
	0.03 cc	33V LN M5 003	33V LN F1 003
	0.06 cc	33V LN M5 006	33V LN F1 006
	0.10 cc	33V LN M5 010	33V LN F1 010
	0.16 cc	33V LN M5 016	33V LN F1 016
	0.20 cc	33V LN M5 020	33V LN F1 020
	0.30 cc	33V LN M5 030	33V LN F1 030
	0.50 cc	33V LN M5 050	33V LN F1 050

L Adapter for Rotary connection Port		Pre assembled to use with Injector	
	Output	Male	Female
 <b>33VLCM5</b>   <b>33VLCF1</b> Top View	0.015 cc	33V LC M5 0015	33V LC F1 0015
	0.03 cc	33V LC M5 003	33V LC F1 003
	0.06 cc	33V LC M5 006	33V LC F1 006
	0.10 cc	33V LC M5 010	33V LC F1 010
	0.16 cc	33V LC M5 016	33V LC F1 016
	0.20 cc	33V LC M5 020	33V LC F1 020
	0.30 cc	33V LC M5 030	33V LC F1 030
	0.50 cc	33V LC M5 050	33V LC F1 050

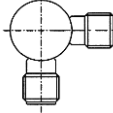
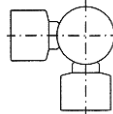
T Adapter		Pre assembled to use with Injector	
	Output	Male	Female
 <b>33VTNM5</b>   <b>33VTNF1</b> Top View	0.015 cc	33V TN M5 0015	33V TN F1 0015
	0.03 cc	33V TN M5 003	33V TN F1 003
	0.06 cc	33V TN M5 006	33V TN F1 006
	0.10 cc	33V TN M5 010	33V TN F1 010
	0.16 cc	33V TN M5 016	33V TN F1 016
	0.20 cc	33V TN M5 020	33V TN F1 020
	0.30 cc	33V TN M5 030	33V TN F1 030
	0.50 cc	33V TN M5 050	33V TN F1 050

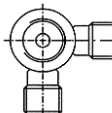
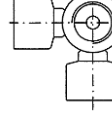
T Adapter for Rotary connection Port		Pre assembled to use with Injector	
	Output	Male	Female
 <b>33VTCM5</b>   <b>33VTCF1</b> Top View	0.015 cc	33V TC M5 0015	33V TC F1 0015
	0.03 cc	33V TC M5 003	33V TC F1 003
	0.06 cc	33V TC M5 006	33V TC F1 006
	0.10 cc	33V TC M5 010	33V TC F1 010
	0.16 cc	33V TC M5 016	33V TC F1 016
	0.20 cc	33V TC M5 020	33V TC F1 020
	0.30 cc	33V TC M5 030	33V TC F1 030
	0.50 cc	33V TC M5 050	33V TC F1 050

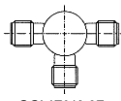
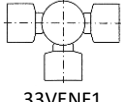


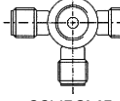
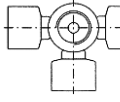
I Straight Adapter		Pre assembled to use with Injector
	Output	
 33VIP4	0.015 cc	33VIP4R0015
	0.03 cc	33VIP4R003
	0.06 cc	33VIP4R006
	0.10 cc	33VIP4R010
	0.16 cc	33VIP4R016

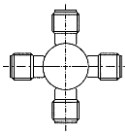
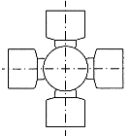
## Injectors for application directly to Lubrication point

C Adapter		Pre assembled to use with Injector	
	Output	Male	Female
 33VCNM5	0.015 cc	33V CN M5 0015	33V CN F1 0015
	0.03 cc	33V CN M5 003	33V CN F1 003
	0.06 cc	33V CN M5 006	33V CN F1 006
 33VCNF1 Top View	0.10 cc	33V CN M5 010	33V CN F1 010
	0.16 cc	33V CN M5 016	33V CN F1 016
	0.20 cc	33V CN M5 020	33V CN F1 020
	0.30 cc	33V CN M5 030	33V CN F1 030
	0.50 cc	33V CN M5 050	33V CN F1 050

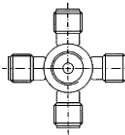
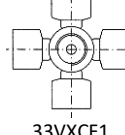
C Adapter with Rotary connection Port		Pre assembled to use with Injector	
	Output	Male	Female
 33VCCM5	0.015 cc	33V CC M5 0015	33V CC F1 0015
	0.03 cc	33V CC M5 003	33V CC F1 003
	0.06 cc	33V CC M5 006	33V CC F1 006
 33VCCF1 Top View	0.10 cc	33V CC M5 010	33V CC F1 010
	0.16 cc	33V CC M5 016	33V CC F1 016
	0.20 cc	33V CC M5 020	33V CC F1 020
	0.30 cc	33V CC M5 030	33V CC F1 030
	0.50 cc	33V CC M5 050	33V CC F1 050

E Adapter		Pre assembled to use with Injector	
	Output	Male	Female
 33VENM5	0.015 cc	33V EN M5 0015	33V EN F1 0015
	0.03 cc	33V EN M5 003	33V EN F1 003
	0.06 cc	33V EN M5 006	33V EN F1 006
 33VENF1 Top View	0.10 cc	33V EN M5 010	33V EN F1 010
	0.16 cc	33V EN M5 016	33V EN F1 016
	0.20 cc	33V EN M5 020	33V EN F1 020
	0.30 cc	33V EN M5 030	33V EN F1 030
	0.50 cc	33V EN M5 050	33V EN F1 050

E Adapter with Rotary connection Port		Pre assembled to use with Injector	
	Output	Male	Female
 33VECM5	0.015 cc	33V EC M5 0015	33V EC F1 0015
	0.03 cc	33V EC M5 003	33V EC F1 003
	0.06 cc	33V EC M5 006	33V EC F1 006
 33VECF1 Top View	0.10 cc	33V EC M5 010	33V EC F1 010
	0.16 cc	33V EC M5 016	33V EC F1 016
	0.20 cc	33V EC M5 020	33V EC F1 020
	0.30 cc	33V EC M5 030	33V EC F1 030
	0.50 cc	33V EC M5 050	33V EC F1 050

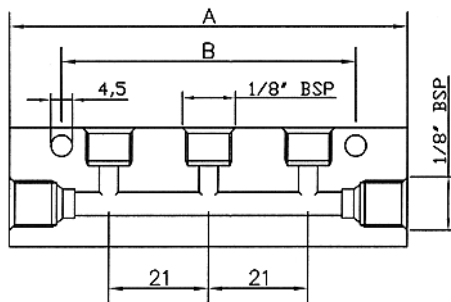
X Adapter		Pre assembled to use with Injector	
	Output	Male	Female
 33VXNM5	0.015 cc	33V XN M5 0015	33V XN F1 0015
	0.03 cc	33V XN M5 003	33V XN F1 003
	0.06 cc	33V XN M5 006	33V XN F1 006
	0.10 cc	33V XN M5 010	33V XN F1 010
	0.16 cc	33V XN M5 016	33V XN F1 016
 33VXNF1 Top View	0.20 cc	33V XN M5 020	33V XN F1 020
	0.30 cc	33V XN M5 030	33V XN F1 030
	0.50 cc	33V XN M5 050	33V XN F1 050

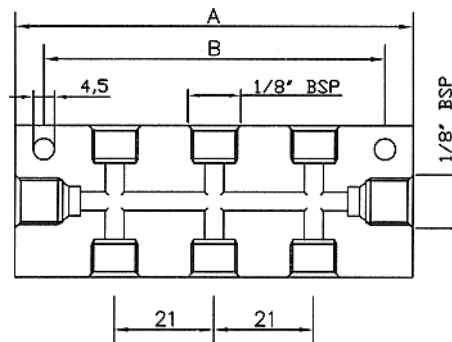
X Adapter with Rotary connection Port		Pre assembled to use with Injector	
	Output	Male	Female
 33VXCM5	0.015 cc	33V XC M5 0015	33V XC F1 0015
	0.03 cc	33V XC M5 003	33V XC F1 003
	0.06 cc	33V XC M5 006	33V XC F1 006
	0.10 cc	33V XC M5 010	33V XC F1 010
	0.16 cc	33V XC M5 016	33V XC F1 016
 33VXCF1 Top View	0.20 cc	33V XC M5 020	33V XC F1 020
	0.30 cc	33V XC M5 030	33V XC F1 030
	0.50 cc	33V XC M5 050	33V XC F1 050

### Manifolds – V33 Fixtures Type M, P, L, N (Aluminium)

#### Single Row



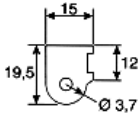
#### Double Row

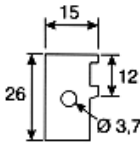


For Injectors 0.015 – 0.50 cc/cycle

MANIFOLD TYPE: M

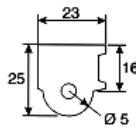
MANIFOLD TYPE: P

Outlet Ports	Part Number	Dimensions		Weight	Bar Profile
		A	B		
1	6265	40	20	21	
2	6266	61	41	33	
3	6267	82	62	44	
4	6268	103	83	58	
5	6269	124	104	68	
6	6274	145	125	80	
7	6276	166	146	92	
8	6239	187	167	104	

Outlet Ports	Part Number	Dimensions		Weight	Bar Profile
		A	B		
2	6236	40	20	28	
4	6237	61	41	41	
6	6238	82	62	60	
8	6188	103	83	71	
10	6189	124	104	90	
12	6210	145	125	101	

For Injectors 0.015 – 1.00 cc/cycle

MANIFOLD TYPE: L

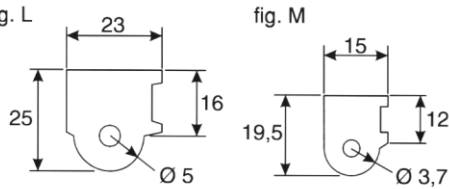
Outlet Ports	Part Number	Dimensions		Weight	Bar Profile
		A	B		
1	3071311	42	20	30	
2	3071312	63	41	63	
3	3071313	84	62	96	
4	3071314	105	83	120	
5	3071315	126	104	146	
6	3071316	147	125	169	

MANIFOLD TYPE: N

Outlet Ports	Part Number	Dimensions		Weight	Bar Profile
		A	B		
2	3071322	42	30	90	
4	3071324	63	51	120	
6	3071326	84	72	140	
8	3071328	105	93	180	

### Extruded Bar Profiles (available also for Custom Manifolds)

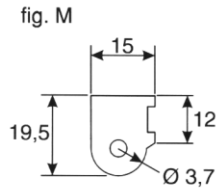
fig. L



5422810

kg. 1,225

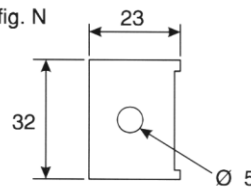
fig. M



5422800

kg. 0,650

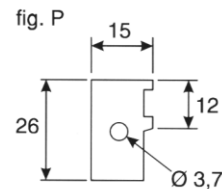
fig. N



5422811

kg. 1,900

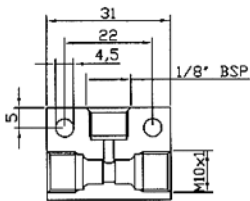
fig. P



5422801

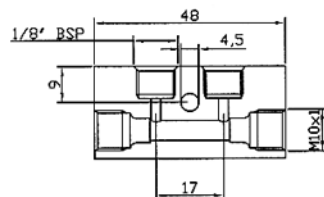
kg. 0,930

**Manifolds – Type W: for Backward Compatibility with existing systems.  
For Injectors: 0.015 to 0.16 cc/cycle (Aluminium)**



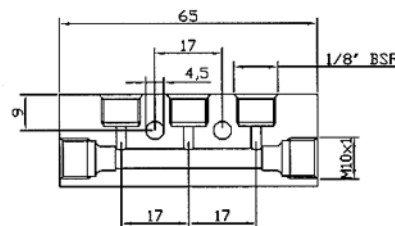
1 Outlet

Part Number: 3071301



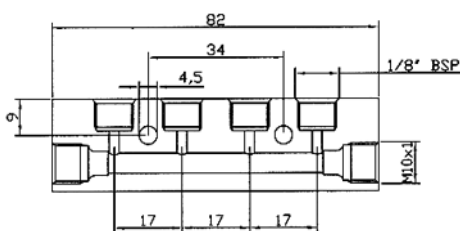
2 Outlets

Part Number: 3071302

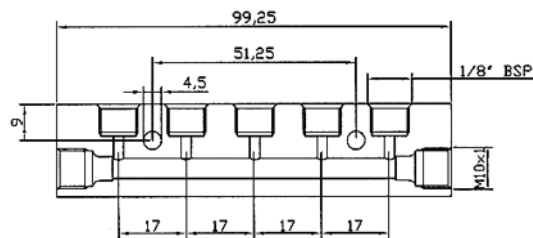


3 Outlets

Part Number: 3071303



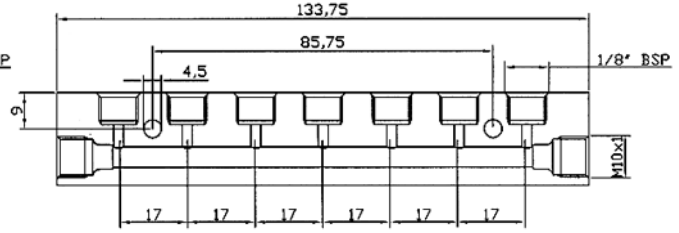
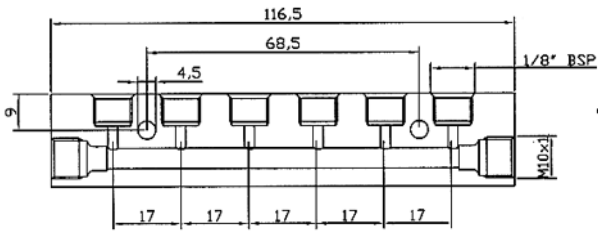
4 Outlets



5 Outlets

Part Number: 3071304

Part Number: 3071305

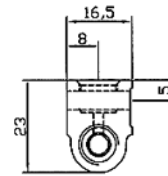
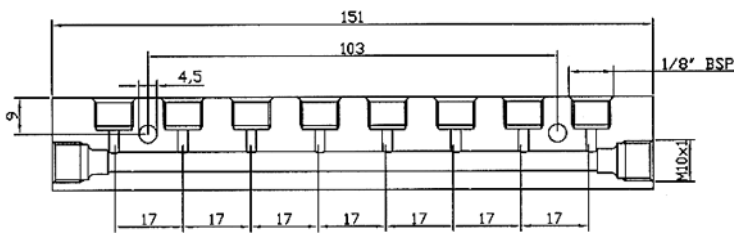


6 Outlets

Part Number: 3071306

7 Outlets

Part Number: 3071307

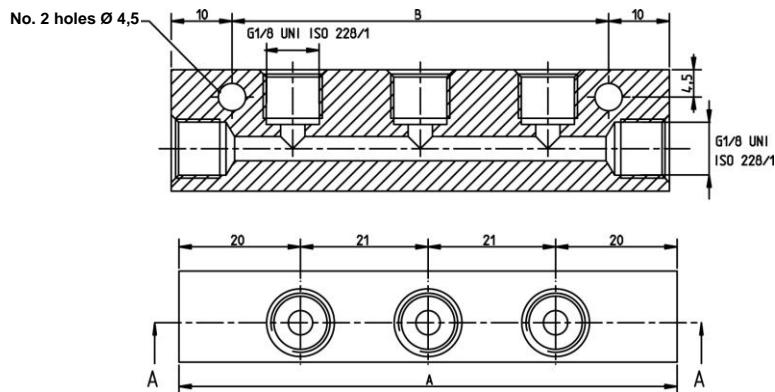


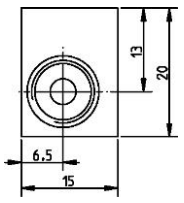
8 Outlets

Part Number: 3071308

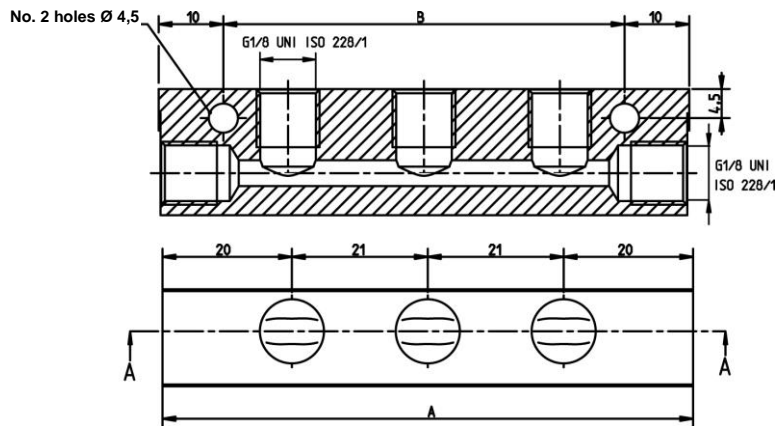
Profile

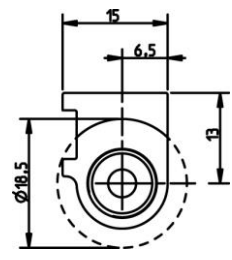
### Manifolds – Single Row stainless steel Aisi 304



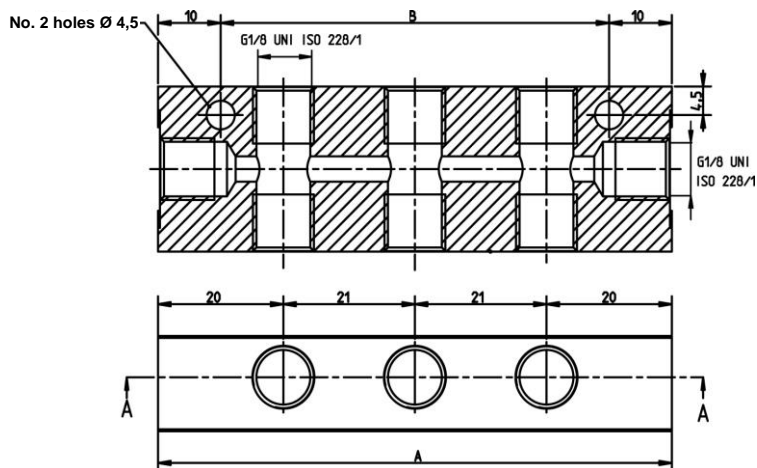
Outlet Ports	Part Number	Dimensions		Bar Profile
		A	B	
1	520101	40	20	
2	520102	61	41	
3	520103	82	62	
4	520104	103	83	
5	520105	124	104	
6	520106	145	125	
7	520107	166	146	
8	520108	187	167	

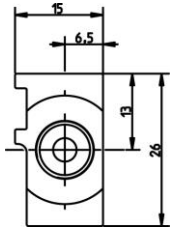
## Manifolds – Single Row for DIN 3852 Fittings (Aluminium)



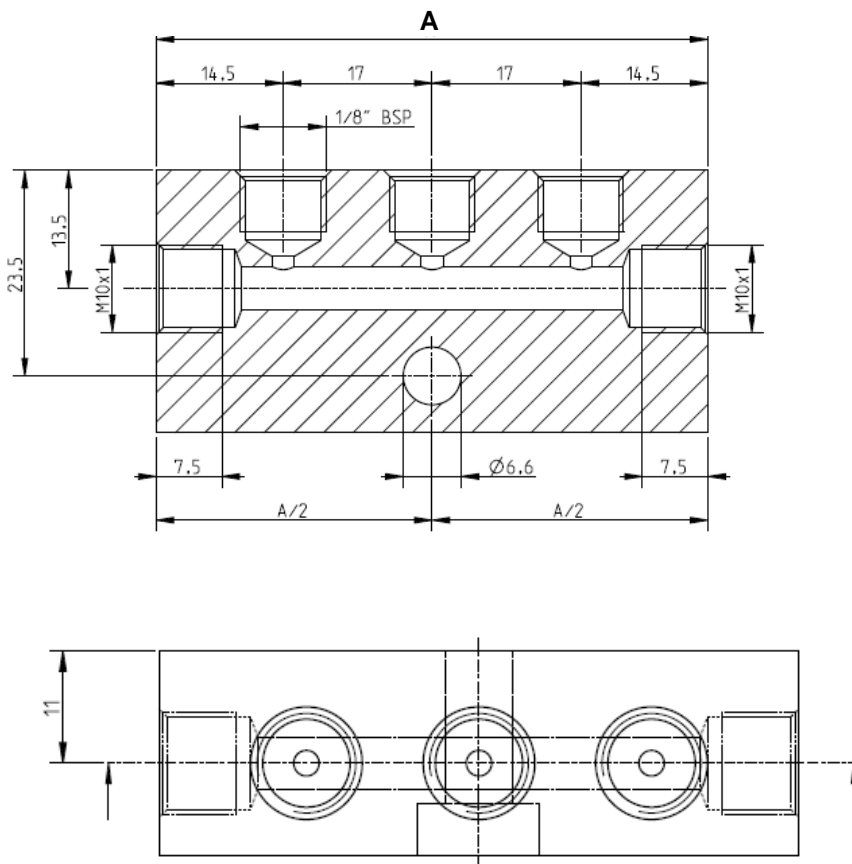
Outlet Ports	Part Number	Dimensions		Bar Profile
		A	B	
1	6901	40	20	
2	6902	61	41	
3	6903	82	62	
4	6904	103	83	
5	6905	124	104	
6	6906	145	125	
7	6907	166	146	
8	6908	187	167	

## Manifolds – Double Row for DIN 3852 Fittings (Aluminium)

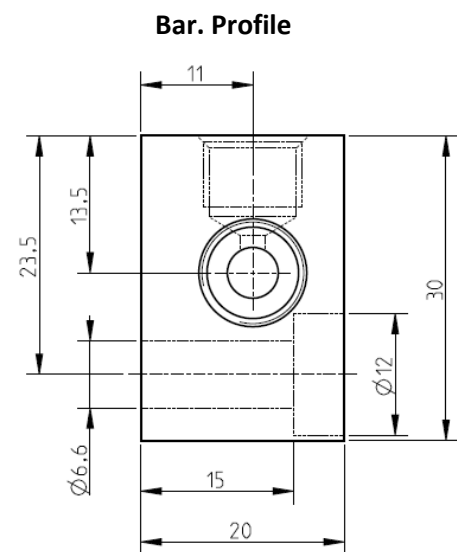


Outlet Ports	Part Number	Dimensions		Bar Profile
		A	B	
2	6911	40	20	
4	6912	61	41	
6	6913	82	62	
8	6914	103	83	
10	6915	124	104	
12	6916	145	125	

## Manifolds – One-sided output with M10x1 (aluminium) connection



Outlet ports	Part Number	Dimensions
		A
2	3071513	46
3	3071514	63
5	3071515	97



## Metalling tube

Material	Sizes	Part Number	Weight Kg/ml	Pressure		Bushes for tubes
				bar	Psi	
Copper plated steel pipe	Ø 4 x 0.71 in bars	5118000	0.060	500	7120	-
	Ø 6 x 0.71 in bars	5118001	0.097	310	4400	-
	Ø 8 x 0.71 in bars	5118002	0.134	220	3130	-
Annealed copper tube	Ø 4 x 0.5 in coils	5501201	0.049	133	1900	-
	Ø 6 x 1 in coils	5501203	0.140	200	2850	-
	Ø 8 x 1 in coils	5501204	0.196	130	1850	-


N.B. Drawn steel and annealed copper tubes must be ordered in kg. Copper plated steel pipes in meters.

## Nylon tube

Material	Sizes	Part Number	Weight Kg/m	Pressure bar	Temperature °C	Bushes for tubes
Nylon tube (L. P.)	Ø 4 x 3 in coils	5717300	0.006	45	0 ÷ +100	3008117
Nylon tube (L. P.)	Ø 6 x 4,5 in coils	5717301	0.014	25	-40 ÷ +80	3008116
Nylon tube (L. P.)	Ø 8 x 6 in coils	5717302	0.025	50	0 ÷ +100	3008114
Nylon tube (H. P.)	Ø 4 x 2,5 in coils	5717202	0.008	69	0 ÷ +80	0201359
Nylon tube (H. P.)	Ø 6 x 4 in coils	5717203	0.017	60	0 ÷ +80	0201360
Nylon tube (H. P.)	Ø 8 x 5 in coils	5717204	0.034	80	0 ÷ +100	0201361


## Pipe Clips

### Pipe clips with one fixing hole



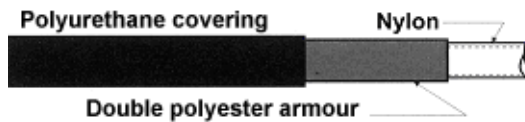
Part No.	Description	Self-tapping screw		Self-threading rivet	
		Part No.	Description	Part No.	Description
0111151	Tube Ø 4 - Mount Ø 4.5	0014352	M3, L. 8	0018065	Ø 3.5, L. 8
0111201	Tube Ø 6 - Mount Ø 5	0014355	M4, L. 10	0018067	Ø 4.2, L. 9.5
0111251	Tube Ø 8 - Mount Ø 5	0014355	M4, L. 10	0018067	Ø 4.2, L. 9.5
0111152	2 Tubes Ø 4 – Mount Ø 4.5	0014352	M3, L. 8	0018065	Ø 3.5, L. 8
0111153	3 Tubes Ø 4 – Mount Ø 4.5	0014352	M3, L. 8	0018065	Ø 3.5, L. 8

### Pipe clips with two fixing hole

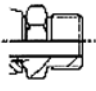







Part No.	Description	Self-tapping screw		Self-threading rivet	
		Part No.	Description	Part No.	Description
0111154	4 Tubes Ø 4 – Mount Ø 4.5	0014352	M3, L. 8	0018065	Ø 3.5, L. 8
0111155	5 Tubes Ø 4 – Mount Ø 4.5	0014352	M3, L. 8	0018065	Ø 3.5, L. 8
0111156	6 Tubes Ø 4 – Mount Ø 4.5	0014352	M3, L. 8	0018065	Ø 3.5, L. 8
0111158	8 Tubes Ø 4 – Mount Ø 5	0014352	M3, L. 8	0018065	Ø 3.5, L. 8
0111202	2 Tubes Ø 6 – Mount Ø 5	0014355	M4, L. 10	0018067	Ø 4.2, L. 9.5
0111203	3 Tubes Ø 6 – Mount Ø 5	0014355	M4, L. 10	0018067	Ø 4.2, L. 9.5
0111204	4 Tubes Ø 6 – Mount Ø 5	0014355	M4, L. 10	0018067	Ø 4.2, L. 9.5
0111205	5 Tubes Ø 6 – Mount Ø 5	0014355	M4, L. 10	0018067	Ø 4.2, L. 9.5
0111252	2 Tubes Ø 8 – Mount Ø 5	0014355	M4, L. 10	0018067	Ø 4.2, L. 9.5
0111253	3 Tubes Ø 8 – Mount Ø 5	0014355	M4, L. 10	0018067	Ø 4.2, L. 9.5
0111254	4 Tubes Ø 8 – Mount Ø 5	0014355	M4, L. 10	0018067	Ø 4.2, L. 9.5
0111255	5 Tubes Ø 8 – Mount Ø 5	0014355	M4, L. 10	0018067	Ø 4.2, L. 9.5

## Nylon hoses with reusable fittings

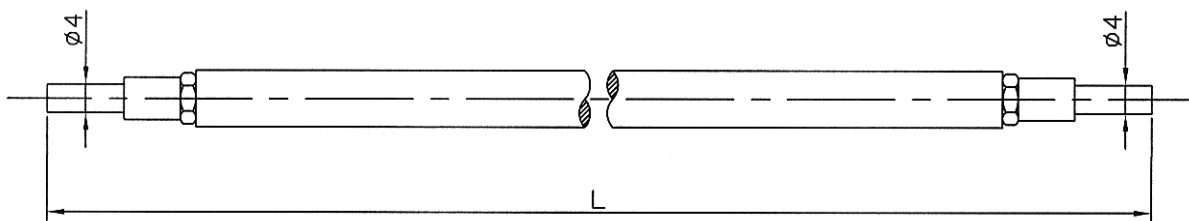


Tube only Part No.	Ø tube		Minimum bend radius mm	Working pressure		Weight Kg
	External mm	Internal mm		bar	psi	
3362026	8	4	38	200	2900	0.050
3362023	12,7	6,4	51	250	3625	0.107

Fittings	Part No.	For tube Ø ext.	Thread	Straight tube Ø	Swivel	Part No.	For tube Ø ext.	Thread
 Solid male with cylindrical thread	3084393	8	1/8" Gas	-	 EYE	3084395	8	-
	3084421	13	1/4" Gas	-		3084409	13	-
 Straight tube	3084424	8	-	4	 Fitting	3084408	8	1/8" Gas
	3084422	8	-	6		308410	13	1/4" Gas
	3084425	13	-	6				
	3084385	13	-	8				
 90° swivel female	3084423	8	1/8" Gas	-	 Nipple connector	0102620	-	1/8" Gas
	3084386	13	M14x1,5	-		0102621	-	1/4" Gas

## Special hoses

Working pressure: 250 bar (3675 psi)  
 Bursting pressure: 1000 bar (14700 psi)  
 Minimum bend radius: 45 mm (1.77 in.)

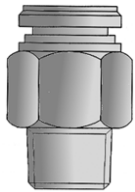


Part No.	Tube only Part No.	Length (mm)
3362058	3362026	400
3362052	3362026	430
3362059	3362026	450
3362060	3362026	500
3362053	3362026	520
3362055	3362026	550
3362054	3362026	600
3362057	3362026	650
3362062	3362026	680
3362056	3362026	750
3362063	3362026	920



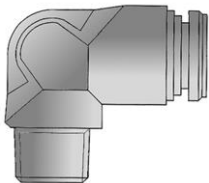
## High pressure Push-in for oil and grease

Material: Brass  
 Working pressure: 0 – 65 bar (0 – 942.747 psi)  
 Working temperature: -10°C - +80°C



### Straight terminal

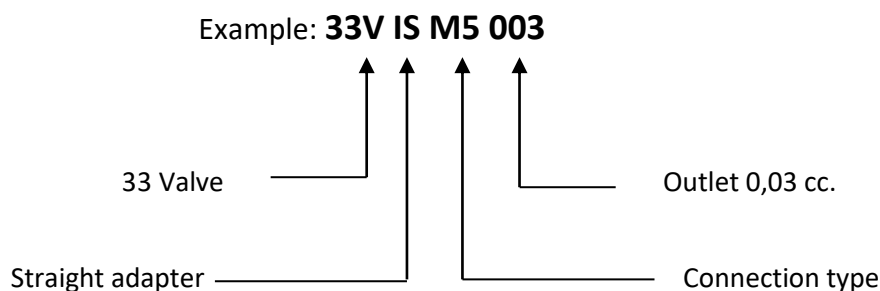
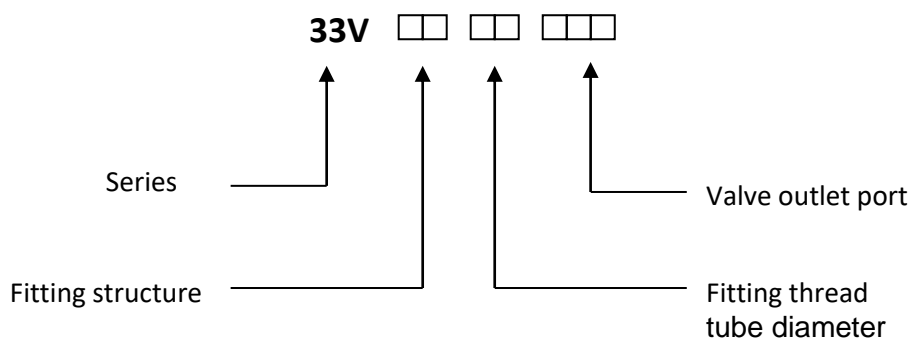
Part No.	Ø Tube	Thread	Hex
3084577	4	1/8" Gas	10
3084578	6	1/8" Gas	13
3084579	4	M6 x 1	10
3084586	4	1/8" NPT	10
3084587	6	1/8" NPT	13



### 90° terminal

Part No.	Ø Tube	Thread	Hex
3084580	4	1/8" Gas	9
3084581	6	1/8" Gas	11
3084588	4	1/8" NPT	9
3084589	6	1/8" NPT	11

## Scheme of new codification



## Fitting structures abbreviations

Description	Abbreviation
Straight adapter	IS
L Adapter	LN
L Adapter with rotary connection port	LC
T Adapter	TN
T Adapter with rotary connection port	TC
C Adapter	CN
C Adapter with rotary connection port	CC
E Adapter	EN
E Adapter with rotary connection port	EC
X Adapter	XN
X Adapter with rotary connection port	XC
Straight I push-in adapter	IP
I push-in adapter with female rotary connection	IR

# DropsA

Lubrication Systems Specialists

## DropsA S.p.A.

Via Benedetto Croce,1  
20055 Vimodrone (MI)  
Tel: +39 02 250 79 1  
Fax: +39 02 250 79 767  
[www.dropsa.com](http://www.dropsa.com)

## Copyright

© 2023 DropsA S.p.A. Via Benedetto Croce,1- 20055 Vimodrone (MI)

This documentation is protected by copyright.

All rights reserved, including translation.

All rights reserved for the case of granting of patent or registration of utility model.

No part of this document may be reproduced in any form (e.g. printed matter, copying, microfilm or any other method) or processed, duplicated or distributed in data-processing systems.

Contraventions shall be liable for damages. Reprints, even of extracts, are only permitted with the approval of DropsA S.p.A.

We reserve the right to implement technical modifications to the machine at any time in order to improve safety, reliability, function and design.

All descriptions and information in this product catalogue apply to the current state at the time it was created.

We reserve the right to change the contents of this document without notice.

We point out that the software and hardware designations used in this document and the trade names of the individual firms are subject to general protection under the law of trademarks or patent law.

The textual and drawing representation may not necessarily comply with the scope of delivery.

The technical drawings may not necessarily be drawn to scale.